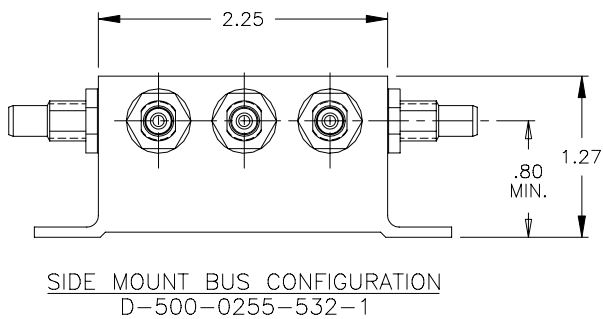
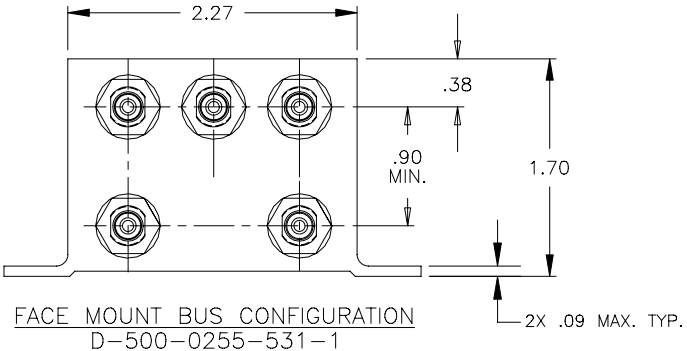
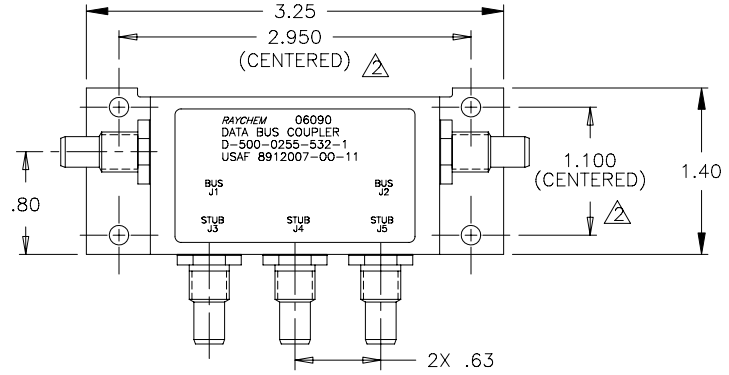
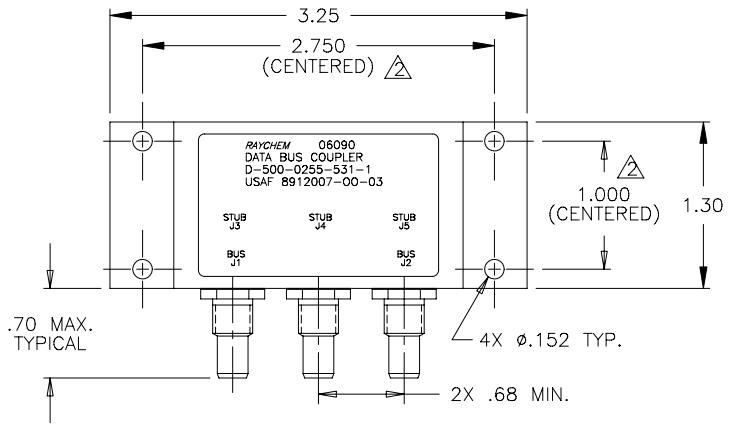


| REVISIONS | | | |
|-----------|--------------------------|---------|----------|
| LTR | DESCRIPTION | DATE | APPROVED |
| N/C | RELEASED PER ECN T-16882 | 93JAN15 | Z.TEMAN |
| A | REVISED PER ECN T-19869 | | |



3 WEIGHT: D-500-0255-531-1 155 grams MAX.
D-500-0255-532-1 126 grams MAX.

2 HOLE PATTERN MACHINED SYMMETRIC TO MOUNTING FLANGE.
1. ORIENTATION OF CONNECTORS IS APPROXIMATELY AS SHOWN.

NOTES:

| | | | | |
|--|----------|--------------------------|------|---------|
| UNLESS OTHERWISE SPECIFIED DIMENSIONS ARE IN INCHES. AND TOLERANCES ARE: DEC .XXX ±.010 DEC .XX ±.03 ANGLE ±— | DRAWN | J.B.KAY | DATE | 91NOV04 |
| | CHECKED | | DATE | |
| | APPROVED | Z.TEMAN | DATE | 92JAN15 |
| | MATERIAL | THIRD ANGLE PROJECTION | | |
| | FINISH | CAD NAME 009152-1.DWG | | |
| PCN | PROJECT | | | |

| | | | | |
|--|-----------------|--|-----|----------------|
| tyco | | Tyco Electronics Corporation 300 Constitution Drive Menlo Park, CA. 94025 U.S.A. | | Raychem |
| Electronics | | | | |
| TITLE 3 STUB DATA BUS COUPLER WITH THREADED TRIAXIAL CONNECTORS | | | | |
| SIZE | CODE IDENT. NO. | DWG. NO. | REV | |
| A | 06090 | D-500-0255-531/532-1 | A | |
| SCALE: NONE | | DO NOT SCALE THIS DRAWING | | SHEET 1 OF 2 |

SPECIFICATION CONTROL DRAWING

If this document is printed it becomes uncontrolled.
Check for the latest revision.

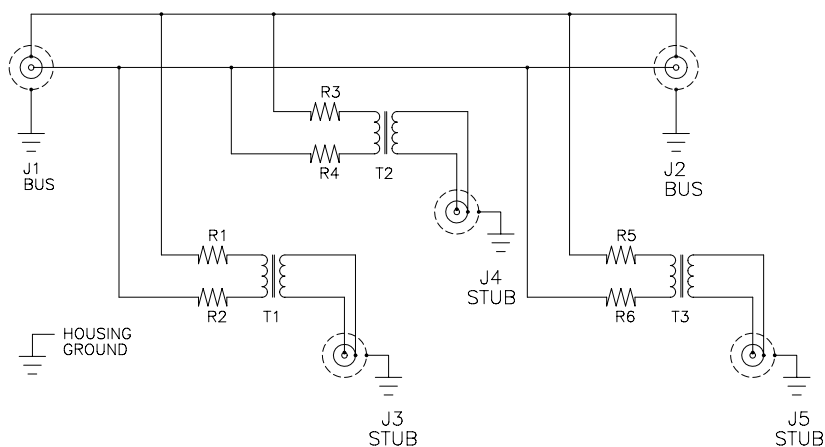
1.0 INTERMATEABILITY

| | |
|----------------------------------|----------------------------------|
| BUS JACKS J1 AND J2 | MATING PLUG |
| DK-621-0412-P (8340711-00-01) | DK-621-0411-S (8340709-00-02) |

| | |
|----------------------------------|----------------------------------|
| STUB JACK J3, J4 AND J5 | MATING PLUG |
| DK-621-0412-S (8340711-00-02) | DK-621-0411-P (8340709-00-01) |

2.0 PERFORMANCE

- 2.1 THIS COUPLER IS DESIGNED TO MEET THE APPLICABLE FUNCTIONAL REQUIREMENT OF RAYCHEM SPECIFICATION D-6021 AND USAF 8912007.
- 2.2 THE COUPLER SHALL OPERATE UNDER ANY OF THE ENVIRONMENTAL SERVICE CONDITIONS AS SPECIFIED IN MIL-E-5400, CLASS ∇ UPGRADED TO 125°C CONTINUOUS OPERATION.
- 2.3 ALTITUDE: SEA LEVEL TO 75,000 FEET

SCHEMATIC DIAGRAM

If this document is printed it becomes uncontrolled.
Check for the latest revision.

| | | | | | | | | |
|----------|-----------|------|---------|--------------|-----------------|----------------------|---------------------------|--------------|
| DRAWN | J. B. KAY | DATE | 91NOV04 | SIZE | CODE IDENT. NO. | DWG. NO. | REV | |
| | | | | A | 06090 | D-500-0255-531/532-1 | A | |
| CAD NAME | | | | 009152-2.DWG | | SCALE: NONE | DO NOT SCALE THIS DRAWING | SHEET 2 OF 2 |