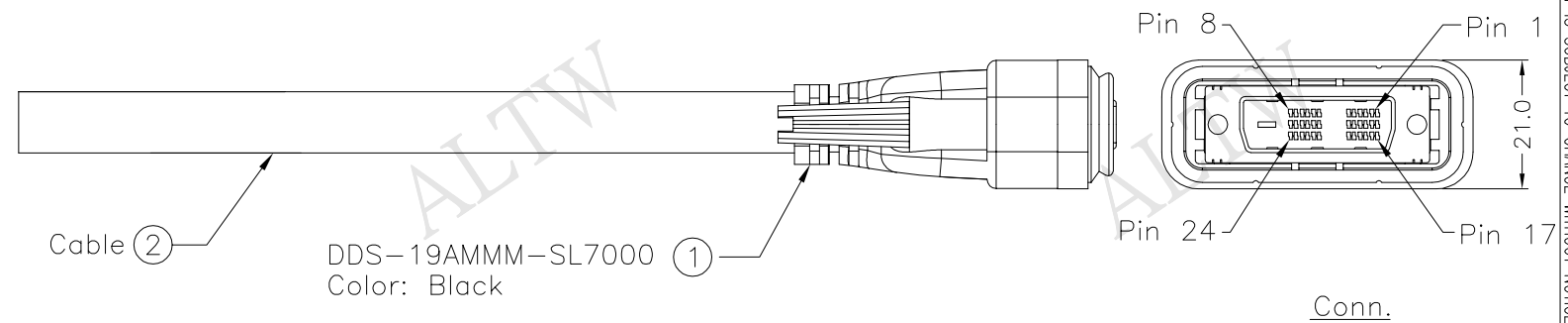


REV.	ECN NO.	DATE	SIGN	DESCRIPTION
B	LE3-720045	2007/01/24	Simon	Add Copper Foil
C	LEN-780057	2007/08/02	Jill	Modify Pin Out
D	LEN1770030~32	2017/06/30	Ruru	Change Logo & SR

Conn.	Wire Color	Wire Type	Pin Out
24	White		
23	Blue		
22	Drain		
21			
20			
19	Drain		
18	Red		
17	White		
16	White		
15	Orange		
14	Yellow		
13			
12			
11	Drain		
10	Green		
9	White		
8			
7	Purple		
6	Red		
5			
4			
3	Drain		
2	Brown		
1	White		

Type	Wire Type
4	1C
3	1P
2	1P+D+AL+MY



- NOTE:
- \* Waterproof Rate : IP67
  - \* @@Important Dimension To Check.
  - \* Housing : Black,ABS
  - \* Pin : Copper Alloy,Gold Plated
  - \* Gasket : Black,EPDM
  - \* SCREW : Steel,Nickel Plated
  - \* Cable: UL20276 (1P\*28#+D+AL+MYLAR)\*  
4C+(1P+3C)\*28#+AL+B, Black, OD=7.3mm
  - \* Cable Length Tolerance: 1M~5M±5%mm,
  - \* DVI CONN.的金屬殼與銅箔及Braid 需做導通測試且能導通

DDS-19AMMM-SL7AXX  
 XX:01-05Meters  
 01:01Meter  
 02:02Meters  
 :  
 :  
 05:05Meters  
 Cable Length (L):01~05Meters

UNIT:mm		TITLE
±0.5 mm		DDS 18+1 M Pin M Conn 180
SCALE	Free	SHEET 1 OF 1
REV. D	SIZE A4	QC :Inspection Item

**Amphenol LTW**  
 安費諾亮泰企業股份有限公司

ITEM NO	DRAWN BY	DATE
DWG NO	CHECKED BY	DATE
CUSTOMER	APPROVED BY	DATE
DDS-19AMMM-SL7AXX	Ruru	2017/06/30
ALTW	Rita	2017/06/30
	Max	2017/06/30

THIS DOCUMENT IS SUBJECT TO CHANGE WITHOUT NOTICE. IT IS CONFIDENTIAL AND A PROPERTY OF Amphenol LTW. DISCLOSURE TO THIRD PARTY HAS TO BE AUTHORIZED BY Amphenol LTW.