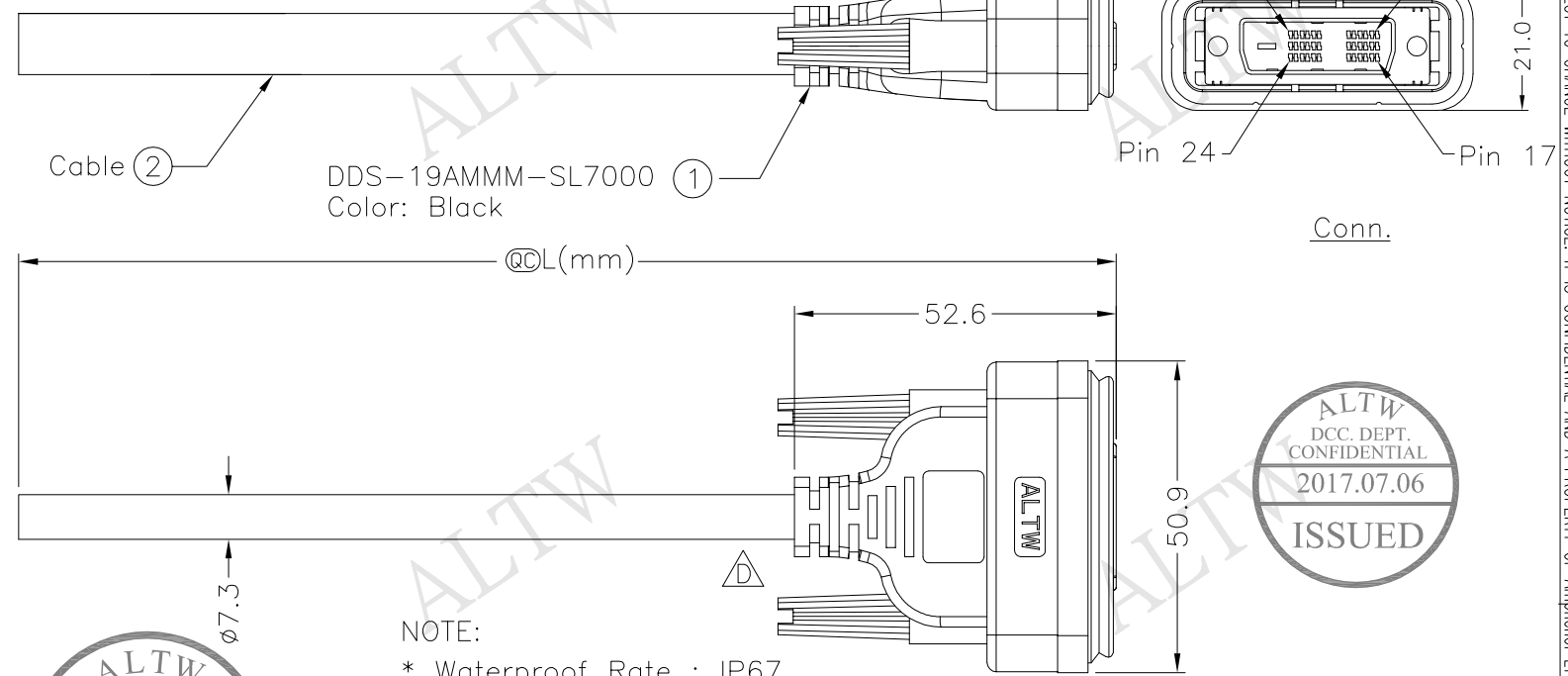


REV.	ECN NO.	DATE	SIGN	DESCRIPTION
B	LE3-720045	2007/01/24	Simon	Add Copper Foil
C	LEN-780057	2007/08/02	Jill	Modify Pin Out
D	LEN1770030~32	2017/06/30	Ruru	Change Logo & SR

Conn.	Wire Color	Wire Type	Pin Out
24	White		
23	Blue	2	
22	Drain		
21			
20			
19	Drain		
18	Red	△ 2	
17	White		
16	White	4	
15	Orange		
14	Yellow	3	
13			
12			
11	Drain		
10	Green	2	
9	White		
8			
7	Purple	4	
6	Red	4	
5			
4			
3	Drain		
2	Brown	2	
1	White		

Type	Wire Type
4	1C
3	1P
2	1P+D+AL+MY



- NOTE:
- * Waterproof Rate : IP67
 - * @Q Important Dimension To Check.
 - * Housing : Black,ABS
 - * Pin : Copper Alloy,Gold Plated
 - * Gasket : Black,EPDM
 - * SCREW : Steel,Nickel Plated
 - * Cable: UL20276 (1P*28#+D+AL+MYLAR)*
4C+(1P+3C)*28#+AL+B, Black, OD=7.3mm
 - * Cable Length Tolerance: 1M~5M±5%mm,
 - * DVI CONN.的金屬殼與銅箔及Braid 需做導通測試且能導通

DDS-19AMMM-SL7AXX
 XX:01-05Meters
 01:01Meter
 02:02Meters
 :
 :
 05:05Meters
 Cable Length (L):01~05Meters



UNIT:mm		TITLE
±0.5 mm		DDS 18+1 M Pin M Conn 180
SCALE	Free	SHEET 1 OF 1
REV. D	SIZE A4	@Q :Inspection Item

Amphenol LTW
 安費諾亮泰企業股份有限公司

ITEM NO	DRAWN BY	DATE
DWG NO	CHECKED BY	DATE
CUSTOMER	APPROVED BY	DATE
DDS-19AMMM-SL7AXX	Ruru	2017/06/30
ALTW	Rita	2017/06/30
	Max	2017/06/30

THIS DOCUMENT IS SUBJECT TO CHANGE WITHOUT NOTICE. IT IS CONFIDENTIAL AND A PROPERTY OF Amphenol LTW. DISCLOSURE TO THIRD PARTY HAS TO BE AUTHORIZED BY Amphenol LTW.