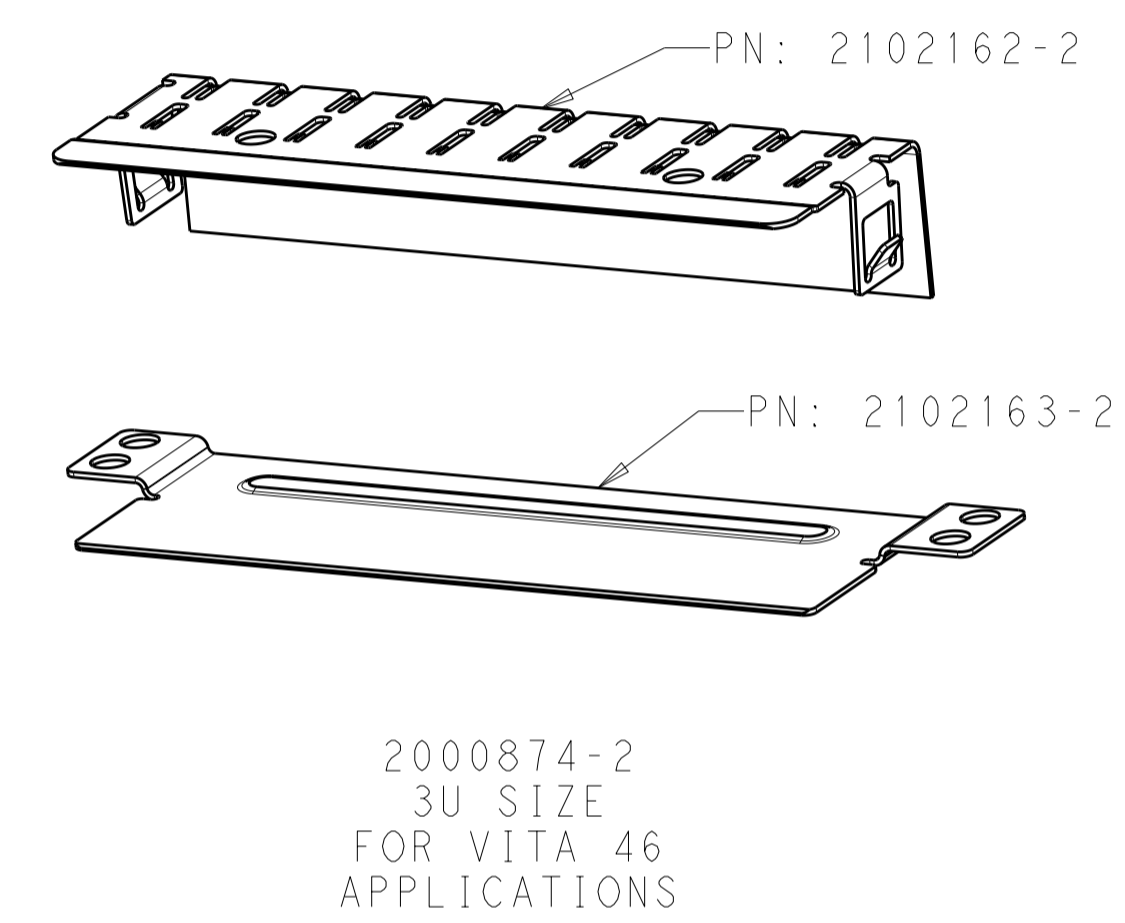
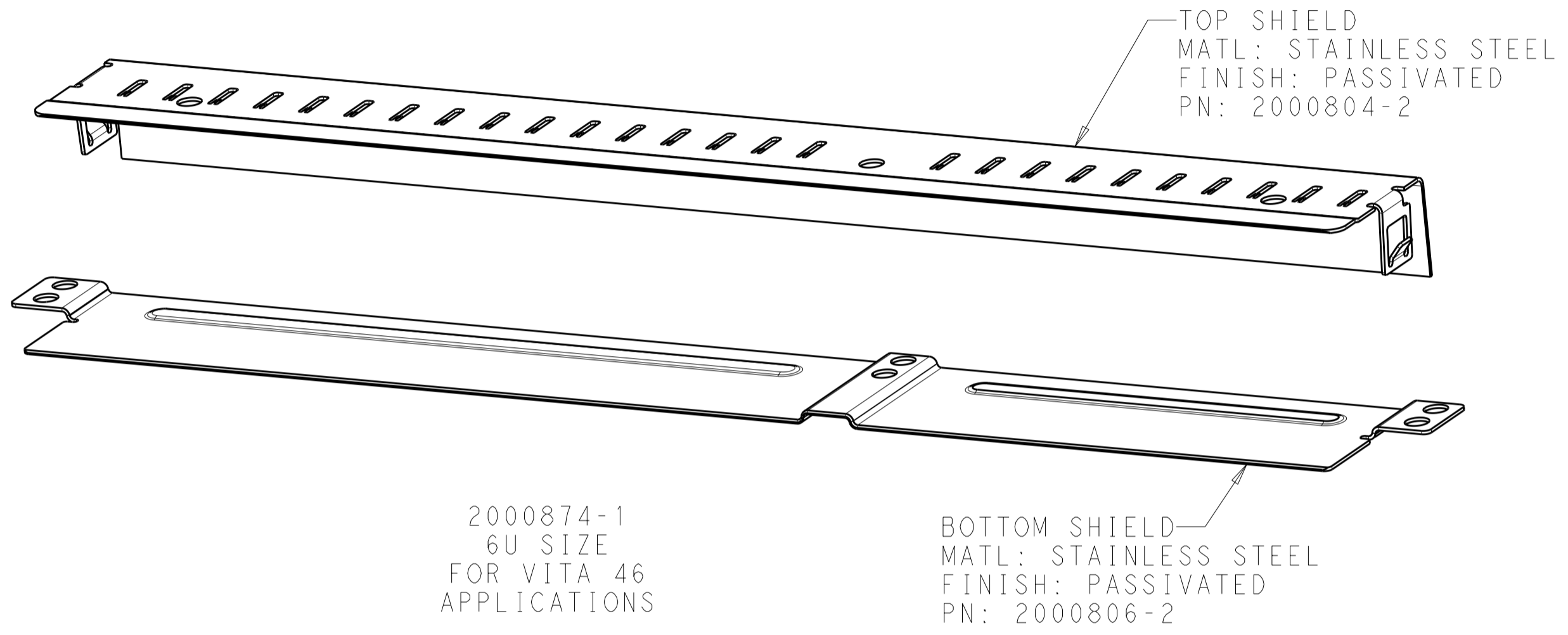


THIS DRAWING IS UNPUBLISHED. RELEASED FOR PUBLICATION 20
 © COPYRIGHT 20 BY - ALL RIGHTS RESERVED.

LOC		DIST		REVISIONS			
P	LTR	DESCRIPTION	DATE	DWN	APVD		
A5	DF	5	ADDED PART NUMBER CALLOUTS	23AUG2011	AT	AT	



- FOR USE WITH MULTIGIG EXTREME MODULES, PART NUMBERS 2000875, 2000877, AND 2000878. SEE CUSTOMER DRAWINGS OF THESE MODULES FOR PCB LAYOUTS.
- PCB LAYOUTS TO BE PER VITA 46.0 BASELINE STANDARD EXCEPT FOR REQUIRED 1.6 ± 0.08 BOARD THK IN AREAS WHERE GUIDE MODULES ARE MOUNTED.

3U PER VITA 46	2000874-2
6U PER VITA 46	2000874-1
MODULE SIZE DESIGNATION	KIT PART NUMBER

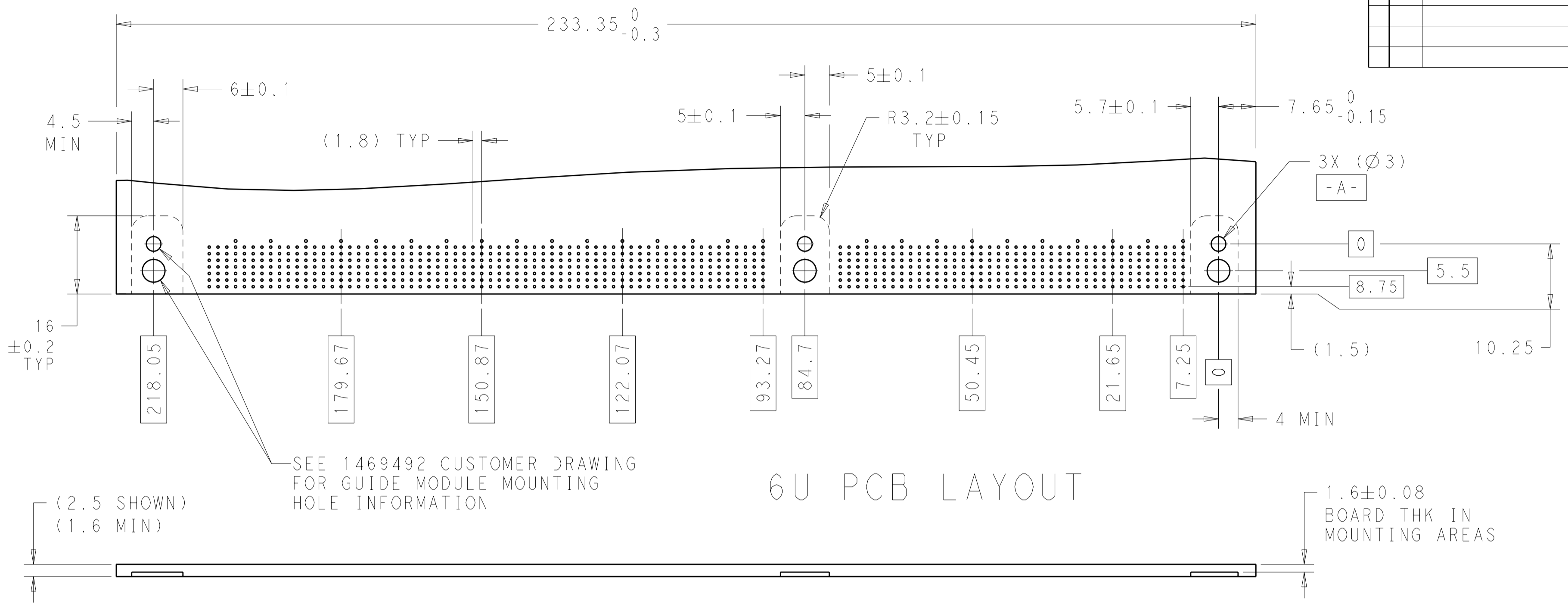
THIS PRODUCT HAS NOT COMPLETED VALIDATION TESTING

THIS PRINT IS
PRELIMINARY
 UNQUALIFIED PRODUCT CONTACT PRODUCT ENGINEERING BEFORE USING THIS PRINT

THIS DRAWING IS A CONTROLLED DOCUMENT.		DWN 03AUG2009 Brent D. John		TE Connectivity		
DIMENSIONS: mm		CHK 01SEP2009 M. R. McALONIS		PRELIMINARY KIT, SHIELD, DAUGHTER CARD, MGX, 6U AND 3U		
TOLERANCES UNLESS OTHERWISE SPECIFIED:		APVD 28SEP2009 HUNG T. NGUYEN				
0 PLC ± 1 PLC ± 2 PLC ± 3 PLC ± 4 PLC ± ANGLES ± FINISH		PRODUCT SPEC 108-2072-2 APPLICATION SPEC 408-10332 WEIGHT - CUSTOMER DRAWING		NAME SIZE CAGE CODE DRAWING NO RESTRICTED TO	SCALE 1:1 SHEET 1 OF 2 REV 5	

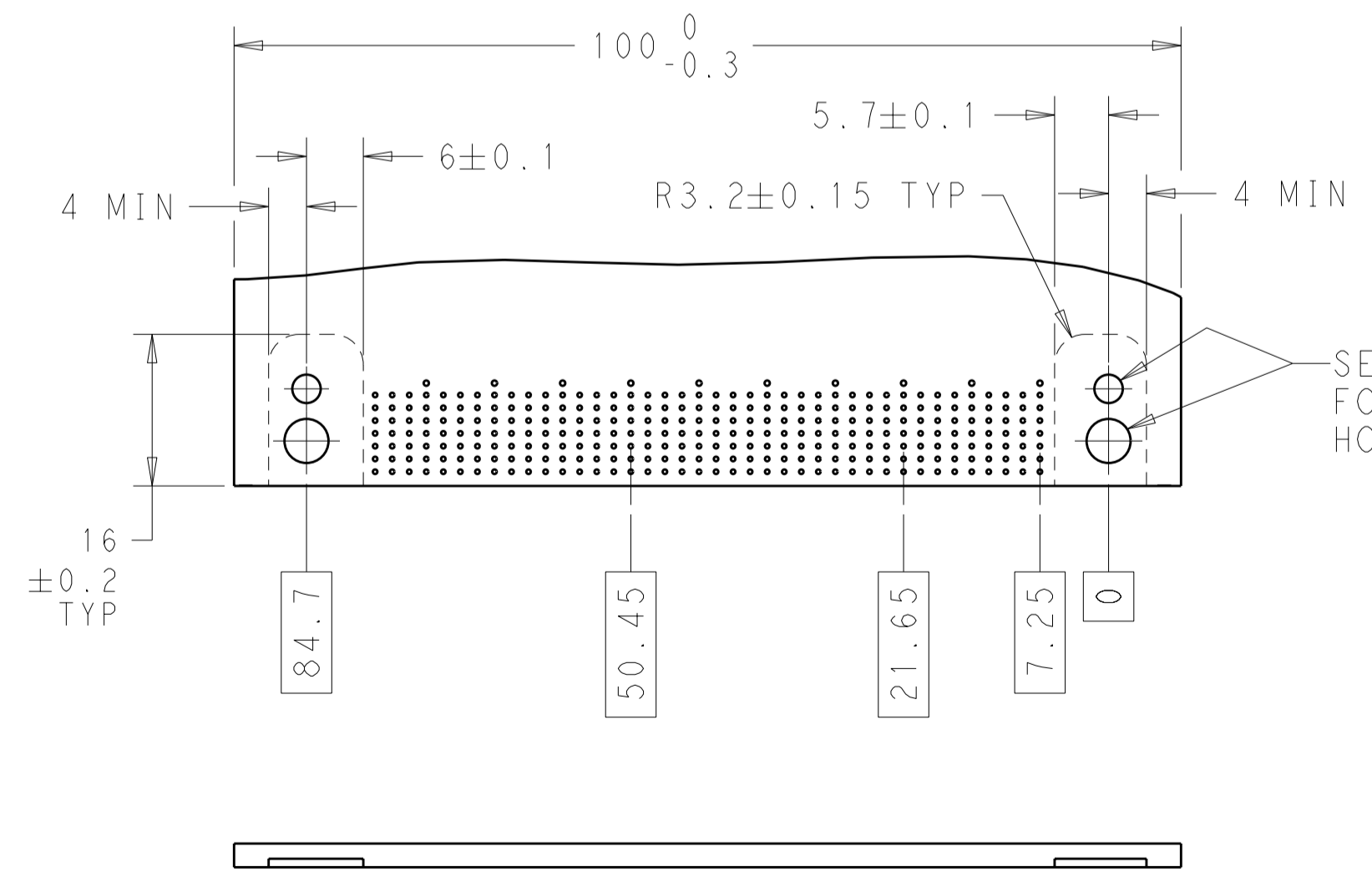
THIS DRAWING IS UNPUBLISHED. RELEASED FOR PUBLICATION 20
 © COPYRIGHT 20 BY - ALL RIGHTS RESERVED.

LOC	DIST	REVISIONS			
P	LTR	DESCRIPTION	DATE	DWN	APVD
A5	DF				
		SEE SHEET 1			



SEE 1469492 CUSTOMER DRAWING FOR GUIDE MODULE MOUNTING HOLE INFORMATION

6U PCB LAYOUT



SEE 1469492 CUSTOMER DRAWING FOR GUIDE MODULE MOUNTING HOLE INFORMATION

3U PCB LAYOUT

THIS DRAWING IS A CONTROLLED DOCUMENT.		DWN 03AUG2009 Brent D. Yohn	TE Connectivity	
DIMENSIONS: mm		CHK 01SEP2009 M.R. McALONIS		
TOLERANCES UNLESS OTHERWISE SPECIFIED:		APVD 28SEP2009 HUNG T. NGUYEN	NAME KIT, SHIELD, DAUGHTER CARD, MGX, 6U AND 3U	
0 PLC ±		PRODUCT SPEC 108-2072-2	SIZE CAGE CODE DRAWING NO RESTRICTED TO	
1 PLC ±		APPLICATION SPEC 408-10332	A200779C-2000874	
2 PLC ±		WEIGHT -	SCALE 3:2 SHEET 2 OF 2 REV 5	
3 PLC ±				
4 PLC ±				
ANGLES ±				
FINISH				
MATERIAL -		CUSTOMER DRAWING		