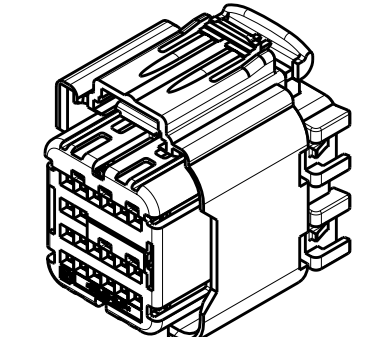
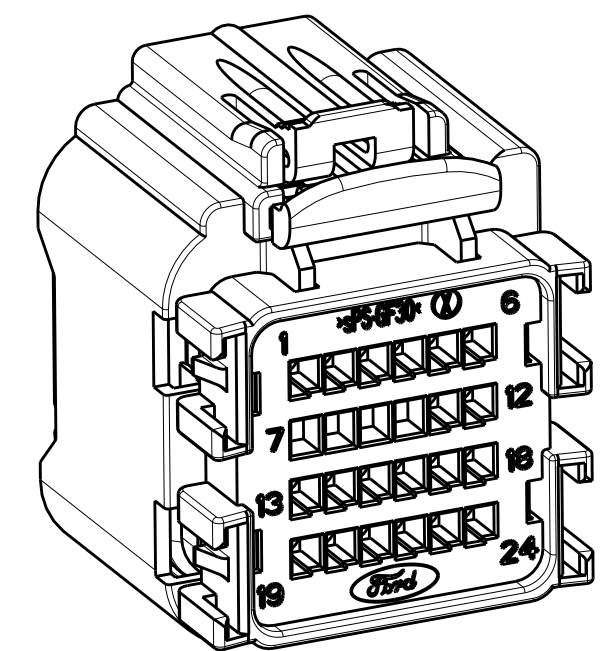
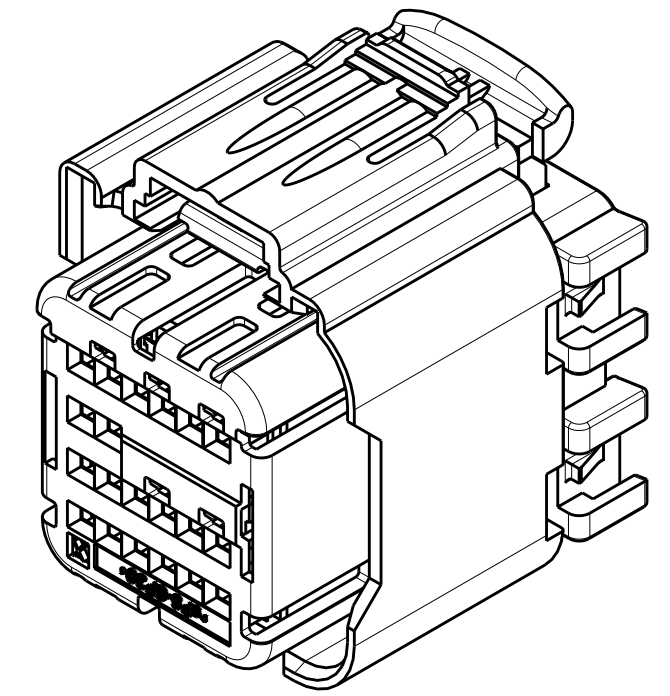
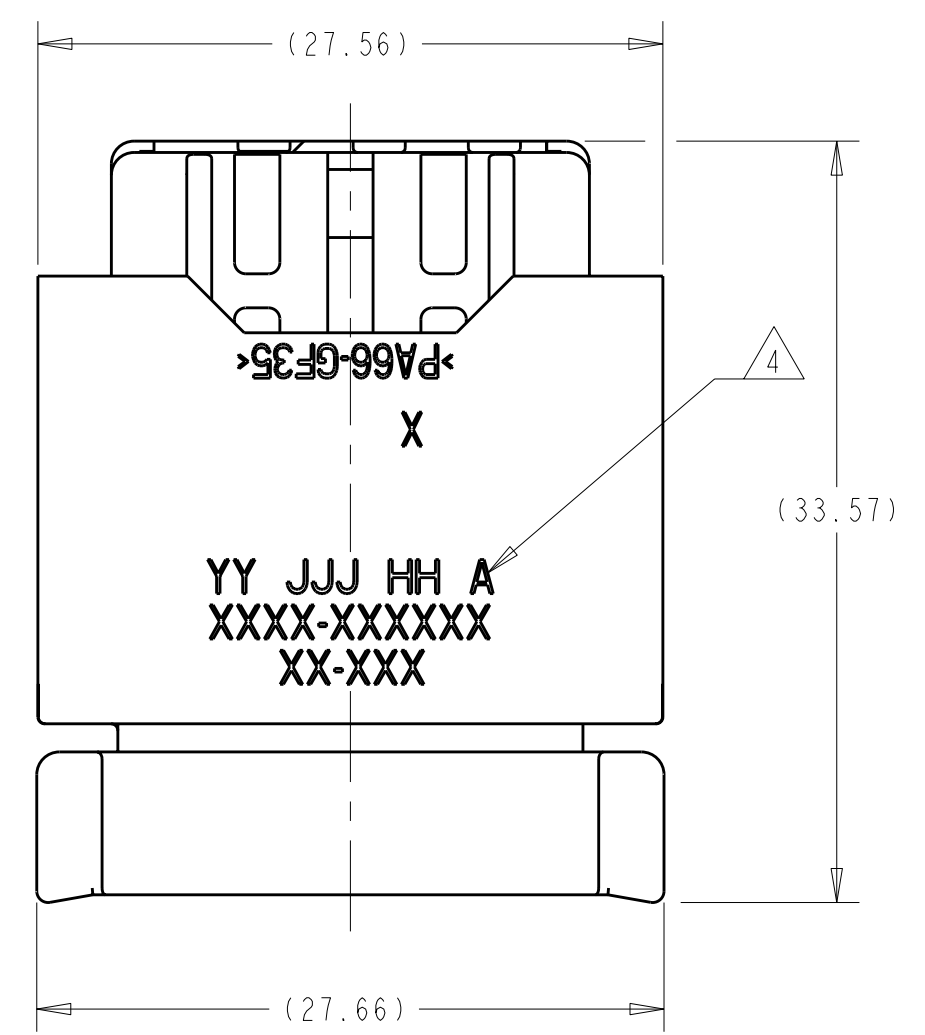
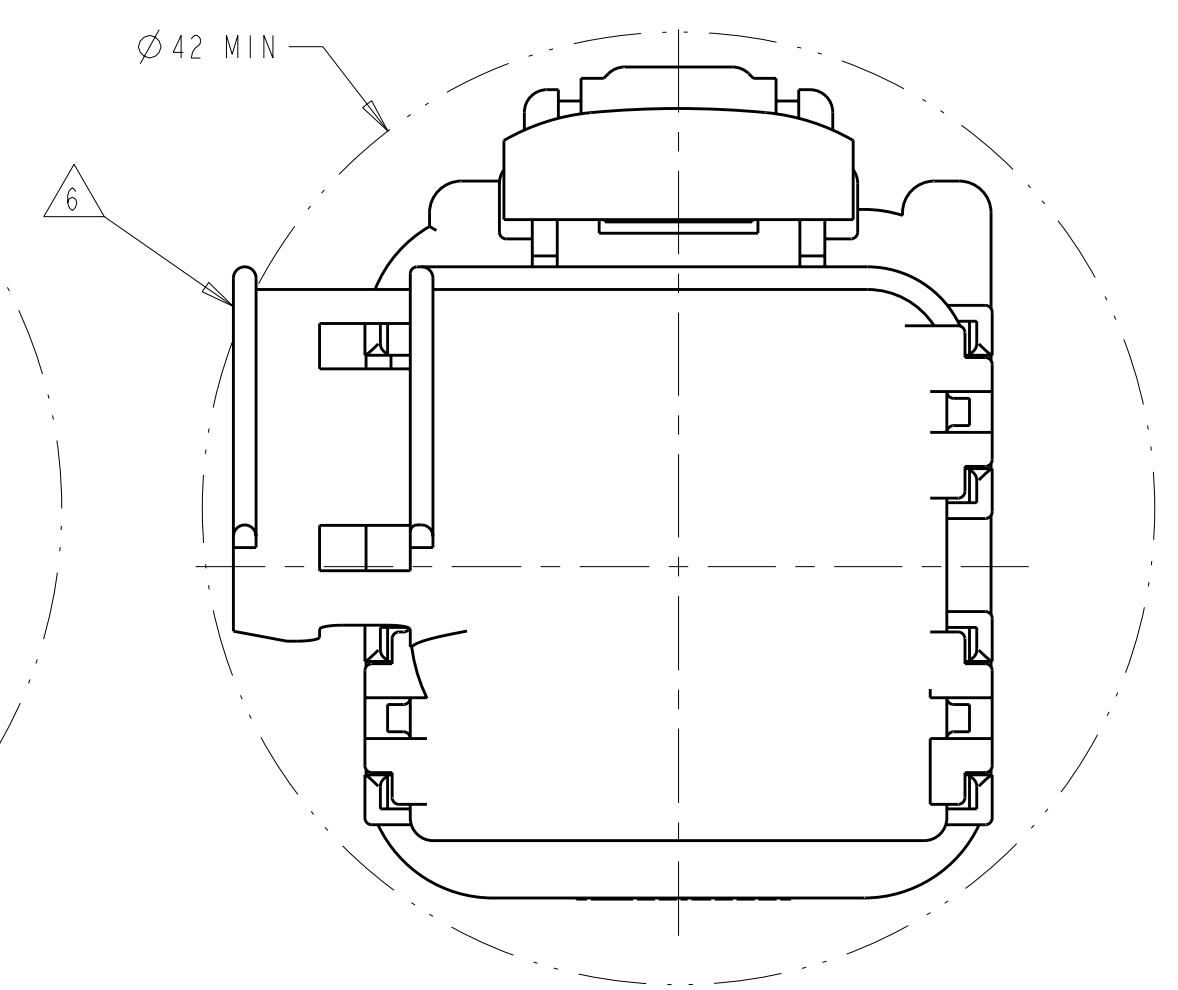
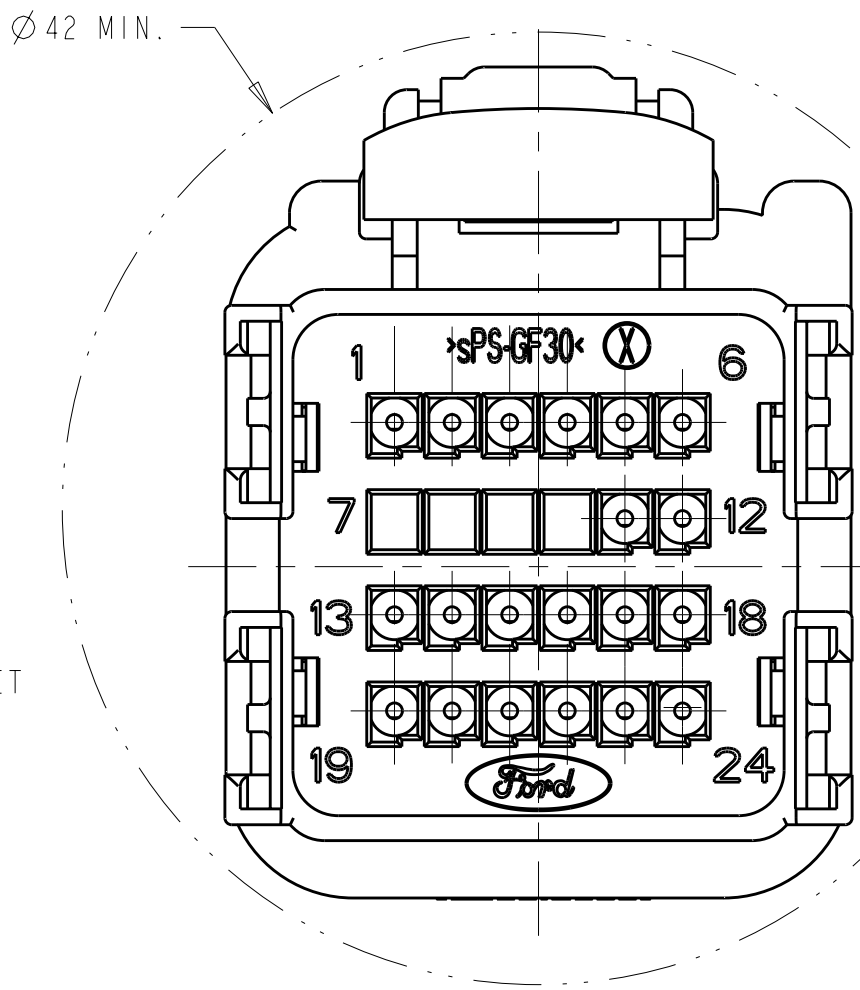
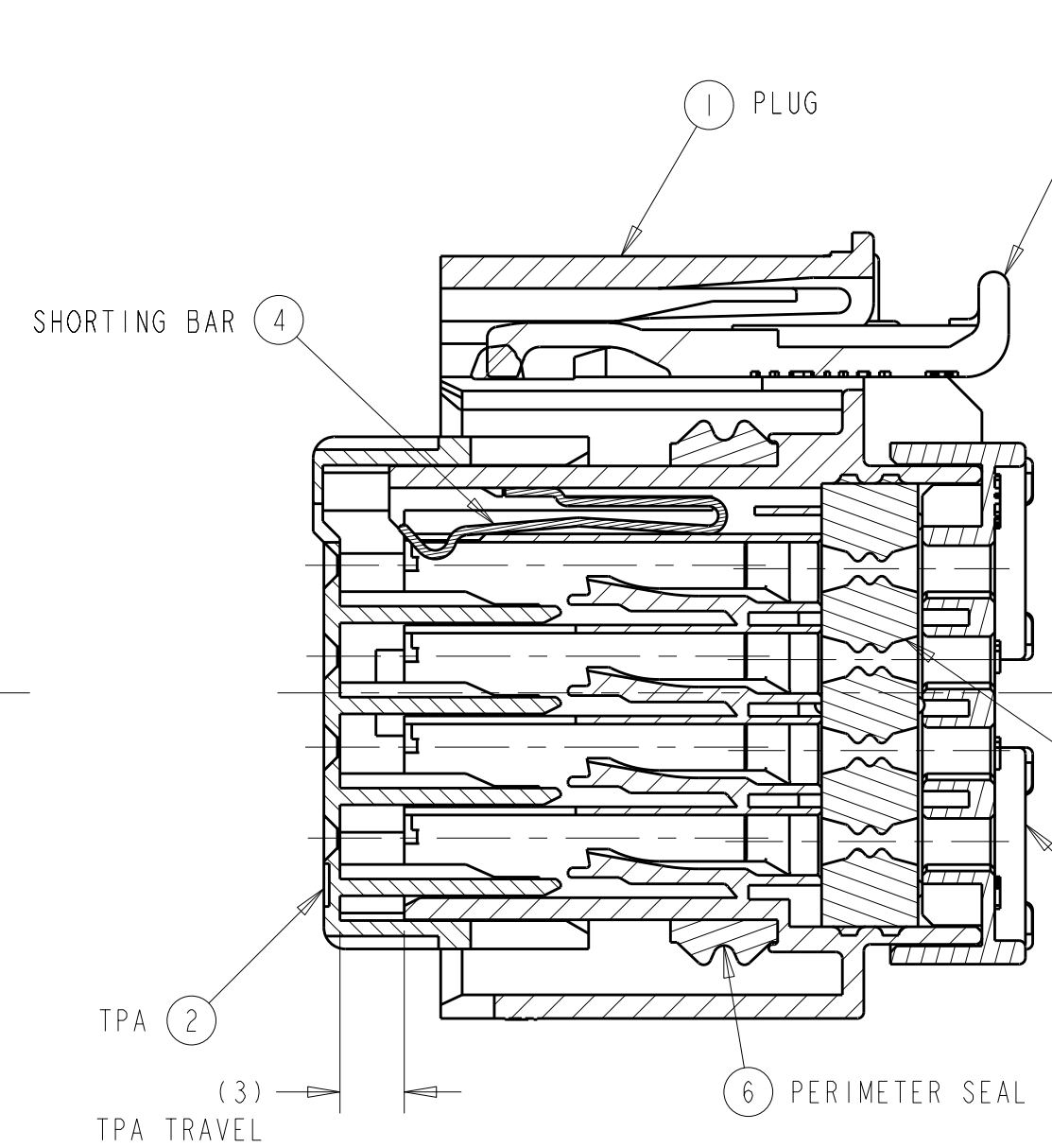
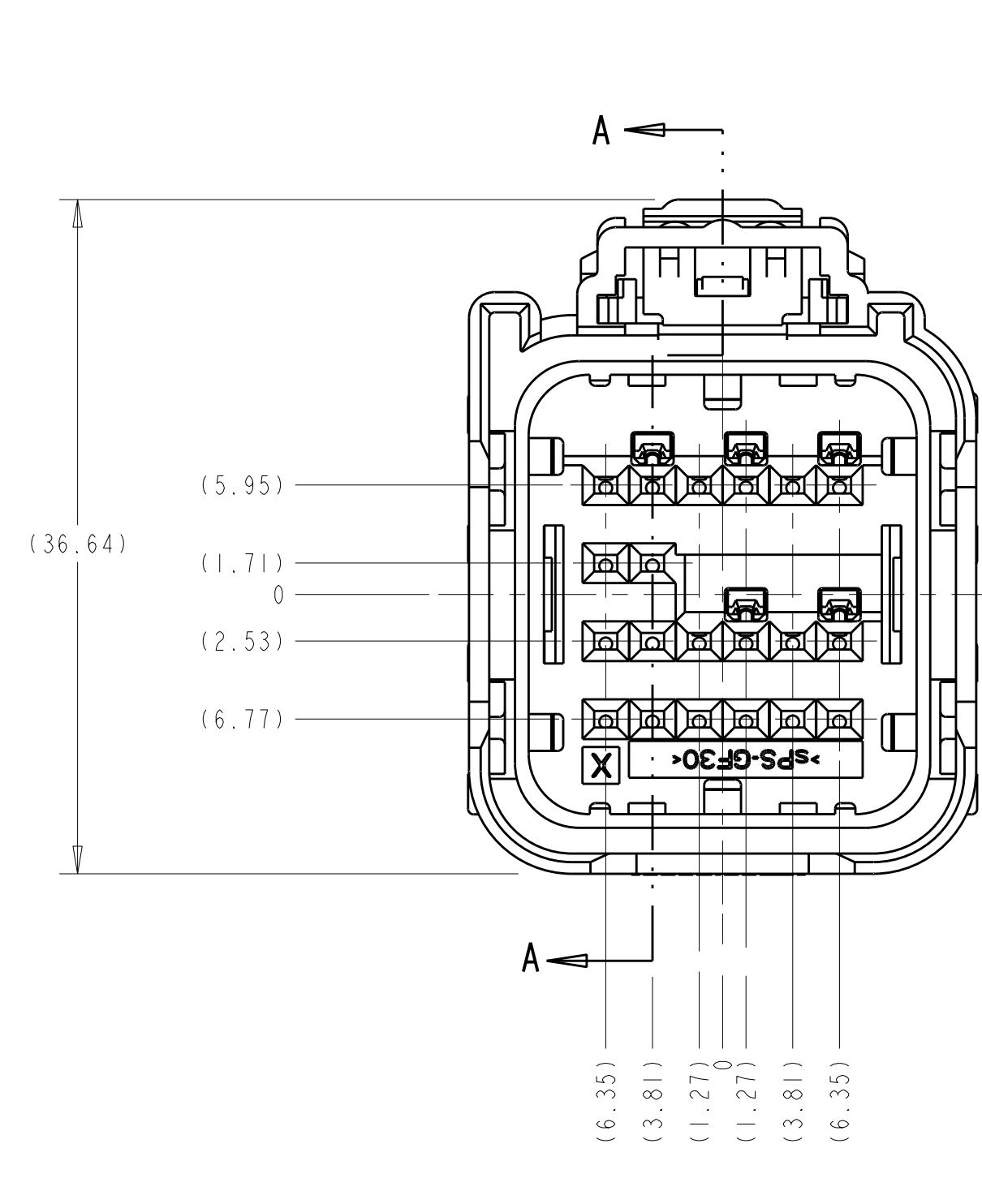
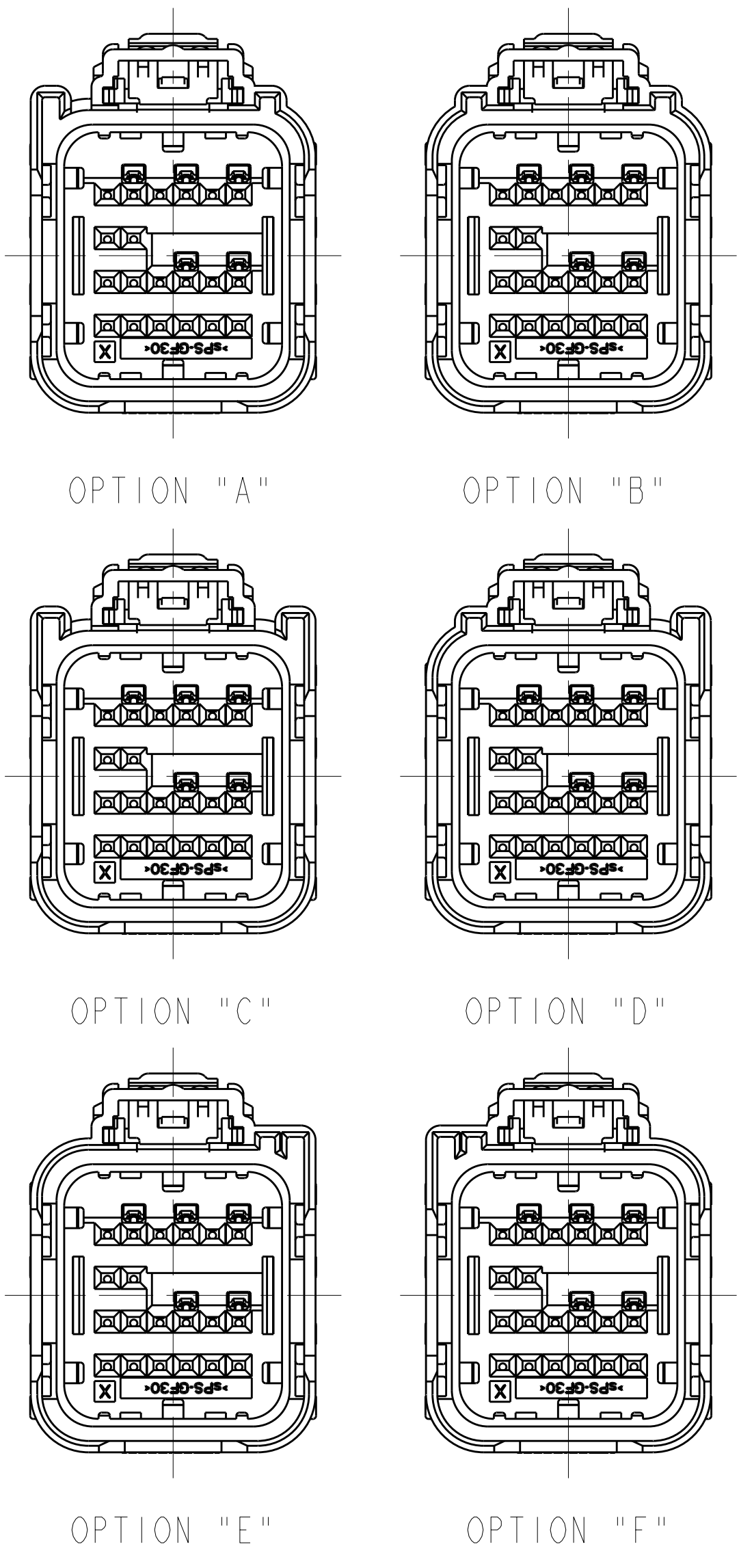


LOC		DIST		REVISIONS			
FX	00	P	LTR	DESCRIPTION	DATE	DWN	APVD
		D		REVISED PER ECO-09-011983	19MAY2009	DLD	WTW

KEYING OPTIONS  
SCALE 2:1



- APPLICABLE TERMINAL PART NUMBERS (SOLD SEPARATELY):  
FOR TIN APPLICATIONS: 1393367 AND 1393366.  
FOR GOLD APPLICATIONS: 1393365 AND 1393364.  
FOR TERMINATION AND REELING OPTIONS  
SEE DRAWINGS 1393367, 1393366, 1393365, AND 1393364.
- COMPATIBLE WIRE SIZES FOR MAT SEAL DESIGN 1.19 TO 2.06 O.D.  
(22-18 AWG, 0.35-0.75 mm<sup>2</sup>)
- TPA IS SHIPPED IN IT'S PRE-LOADED POSITION.  
ALL ASSEMBLIES ARE TO BE TRAY PACKAGED.
- CUSTOMER PART NUMBER AND TRACEABILITY CODE (YY = TWO DIGIT YEAR, JJJ = JULIAN DAY, HH = TWO DIGIT MILITARY HOUR, A = ASSEMBLY PROCESS USED) ARE PRINTED IN THIS LOCATION.
- PART ASSEMBLY WEIGHT WITHOUT TERMINALS AND WITH STANDARD PIN-OUT CONFIGURATION IS 15.35 GRAMS.
- OPTIONAL WIRESHIELD P/N 7-1419157-8 (SOLD SEPARATELY). PLEASE CONTACT YOUR TYCO ELECTRONICS SALES REPRESENTATIVE FOR AVAILABILITY AND PRICING.
- PART NUMBER IS LOADED WITH 4 SHORTING BARS. NO SHORTING BAR LOADED BETWEEN TERMINAL HOLE POSITIONS (9/10).

KEYING OPTION "A" SHOWN

ITEM	ASSEMBLY PART NUMBER	DESCRIPTION	MATERIAL	FINISH/COLOR
7		CPA	PBT-GF15	RED
6		PERIMETER SEAL	SILICONE	GREEN
5		GROMMET	SILICONE	BROWN
4		SHORTING BAR	S.S.	SEE COMPONENT DRAWING
3		COVER	PA66 35% GF	BLACK
2		SPACER FOR SHORTING BAR APPLICATIONS	sPS 30% GF	NATURAL
1		PLUG WITH KEYING OPTION "D" AND 5 SHORTING BAR POSITIONS CONFIGURATION	PA66 35% GF	BLACK
1		PLUG WITH KEYING OPTION "C" AND 5 SHORTING BAR POSITIONS CONFIGURATION	PA66 35% GF	BLACK
1		PLUG WITH KEYING OPTION "B" AND 5 SHORTING BAR POSITIONS CONFIGURATION	PA66 35% GF	BLACK
1		PLUG WITH KEYING OPTION "A" AND 5 SHORTING BAR POSITIONS CONFIGURATION	PA66 35% GF	BLACK

QUANTITY

ITEM DESCRIPTION MATERIAL FINISH/COLOR

APPROVED: [Signature] DATE: 23 JUL 2007

DESIGNED: [Signature] DATE: 23 JUL 2007

DRW: VESTAL 23 JUL 2007

CHK: W. WELLINSKY 23 JUL 2007

APVD: W. WELLINSKY 23 JUL 2007

NAME: 24 WAY ARM PLUG ASSEMBLY WITH SHORTING BARS CUSTOMER SPEC.

SIZE: CAGE CODE: DRAWING NO: 00779 C=1924670

RESTRICTED TO: [Signature]

SCALE: 3:1 SHEET 1 OF 3 REV D

SEE CHART ABOVE

FINISH: ±

TOLERANCES UNLESS OTHERWISE SPECIFIED:

9 PLC ±

6 PLC ±0.3

5 PLC ±0.10

4 PLC ±

ANGLES ±

MATERIAL: SEE CHART ABOVE

WEIGHT: SEE NOTE 5

CUSTOMER DRAWING

TYCO ELECTRONICS CORPORATION

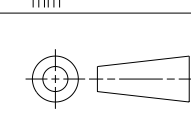

TYCO ELECTRONICS

Harrisburg, PA 17105-3608

THIS DRAWING IS UNPUBLISHED. RELEASED FOR PUBLICATION 20  
 © COPYRIGHT 20 BY TYCO ELECTRONICS CORPORATION. ALL RIGHTS RESERVED.

LOC		DIST		REVISIONS			
P	LTG	DESCRIPTION	DATE	DNW	APVD		
-	-	SEE SHEET 1	-	-	-		

ITEM	ASSEMBLY PART NUMBER	DESCRIPTION	MATERIAL	FINISH/COLOR
7		CPA	PBT-GF15	RED
6		PERIMETER SEAL	SILICONE	GREEN
5		GROMMET	SILICONE	BROWN
4		SHORTING BAR	S.S.	SEE COMPONENT DRAWING
3		COVER	PA66 35% GF	BLACK
2		SPACER FOR SHORTING BAR APPLICATIONS	sPS 30% GF	NATURAL
1		PLUG WITH KEYING OPTION "D" AND 5 SHORTING BAR POSITIONS CONFIGURATION	PA66 35% GF	BLACK
		PLUG WITH KEYING OPTION "C" AND 5 SHORTING BAR POSITIONS CONFIGURATION	PA66 35% GF	BLACK
		PLUG WITH KEYING OPTION "B" AND 5 SHORTING BAR POSITIONS CONFIGURATION	PA66 35% GF	BLACK
		PLUG WITH KEYING OPTION "A" AND 5 SHORTING BAR POSITIONS CONFIGURATION	PA66 35% GF	BLACK
		QUANTITY		

DIMENSIONS: mm 		TOLERANCES UNLESS OTHERWISE SPECIFIED: 9 PLC ±.3 1 PLC ±0.10 5 PLC ±.10 4 PLC ±.10 ANGLES ±°		DWN BY: VESTAL 23JUL2007 CHK BY: W. WELLINSKY APVD BY: W. WELLINSKY 23JUL2007		 Tyco Electronics Harrisburg, PA 17105-3608	
MATERIAL: - FINISH: -		WEIGHT: - CUSTOMER DRAWING		NAME: 24 WAY ARM PLUG ASSEMBLY WITH SHORTING BARS CUSTOMER SPEC. SIZE: A   CAGE CODE: 00779   DRAWING NO: C=1924670 RESTRICTED TO: -		SCALE: 3:1   SHEET: 2 OF 3   REV: D	

