

Specification Sheet

USB3.0 Flash Drive AH553



Table of Contents

<u>1. Product Introduction</u>	3
<u>2. Product Features</u>	3
<u>3. Specification</u>	4
<u>4. Physical Dimension</u>	5
<u>5. Revision History</u>	6

1. Product Introduction

Leading digital storage manufacturer Apacer Technology Inc. once again displayed its strength and released a new flagship USB 3.0 flash drive, AH553. Actual testing showed that it has an ultra-fast top speed of 400MB/s read and 300MB/s* write speed, aggressively re-writing the record for flash drive read/write speeds! As a flagship product, it is equipped with robust aluminum casing, stable and has excellent texture; it also has a ultra high capacity of 256GB. It is a masterpiece gadget leading all other competitors!

Apacer used its years of experience and MLC flash to enhance the ultra-fast read/write speeds achieving stable storage performance, breaking the speed limit of USB 3.0 flash drives with whopping read/write speeds of 400/300MB respectively and became one of the industry's fastest commercial product.

As a flagship model of Apacer USB 3.0 flash drive, AH553 not only has powerful performances, it also has a cold and rigid metal casing made with high strength aluminum, using deep blue to display leadership accommodating and generous styles. It has many user-friendly designs such as bodylines that are convenient to hold, cap-less design, asymmetric stylish strap holes and more, all showing the thoughtfulness that AH553 has for users!

Apacer AH553 USB 3.0 flash drive comes in four capacity selections: 32GB, 64GB, 128GB and 256GB, providing diverse options. AH553 supports the newest Windows 8.1 and is downwards compatible to Windows XP, Mac OS 10.4.x and above and Linux 2.6.x and above. The high compatibility allows users to use them without worries. AH553 also complies with RoHS international standard, ensuring that the product do not include harmful chemicals, displaying the determination for environmental protection!

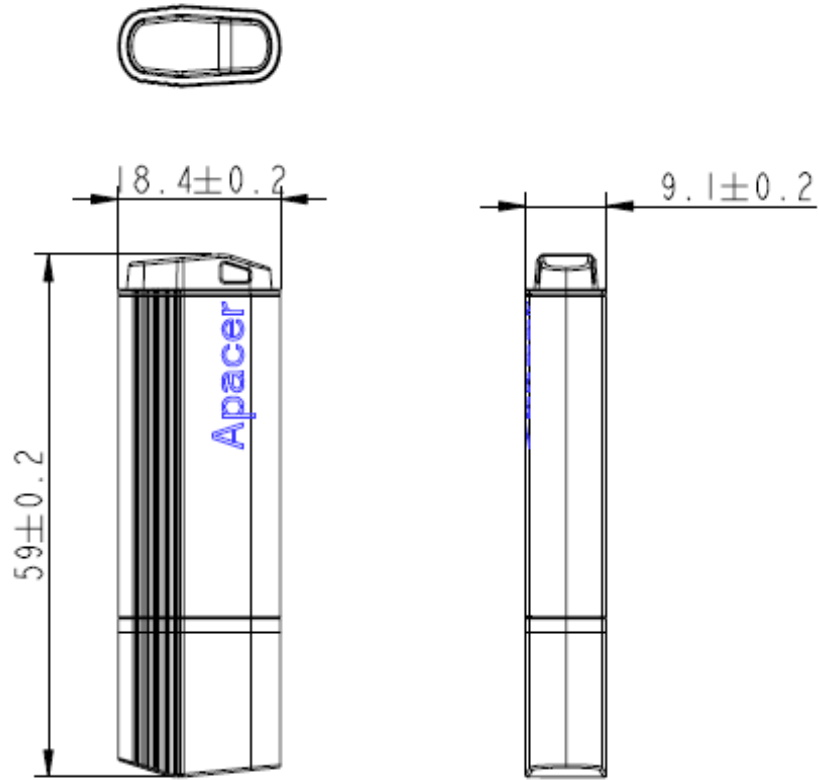
2. Features

- Super Speed USB3.0 and backwards compatible with Hi-speed USB 2.0 interface
- Easy plug & play
- USB powered. No external power or battery required
- Robust aluminum casing, sturdy with excellent texture
- Ultra-fast read/write speed up to 400/300MB/s*
 - Read 400/Write 300MB/s (128GB & 256GB)
 - Read 200/Write 90MB (32GB & 64GB)
- The strap hole allows easy carry
- RoHS compliant

3. Specifications

Specifications	
Interface	Super Speed USB3.0, backwards compatible with USB 2.0 & 1.1
Device Interface Transfer Rate	USB 3.0 interface: up to 5Gbit/second USB 2.0 interface: up to 480Mbit/second
Power supply	USB bus powered No external power required
Performance	32GB: R 200MB/sec; W: 90MB/sec (*) 64GB: R 200MB/sec; W: 90MB/sec (*) 128GB: R 400MB/sec; W: 300MB/sec (*) 256GB: R 400MB/sec; W: 300MB/sec (*) <i>* The transmission speed may vary due to host hardware, software and usage.</i>
Operating Systems Supported	Windows XP/ Vista/ 7/ 8 & 8.1, Linux Kernel 2.6.x and Mac OS 10.4.x or later
Capacity	32GB ~ 256GB
Operating Temperature	0° C to +60° C (32° F to 140° F)
Storage Temperature	-20° C to +60° C (-4° F to +140° F)
Dimensions	(L)59 x (W)18.4 x (H)9.1mm
Weight	10g
Certificate	CE, FCC, BSMI, C-Tick

4. Physical Dimension



Unit: mm

5. Revision History

Revision No	History	Date	Remarks
1.0	Official Release	Sept., 2015	