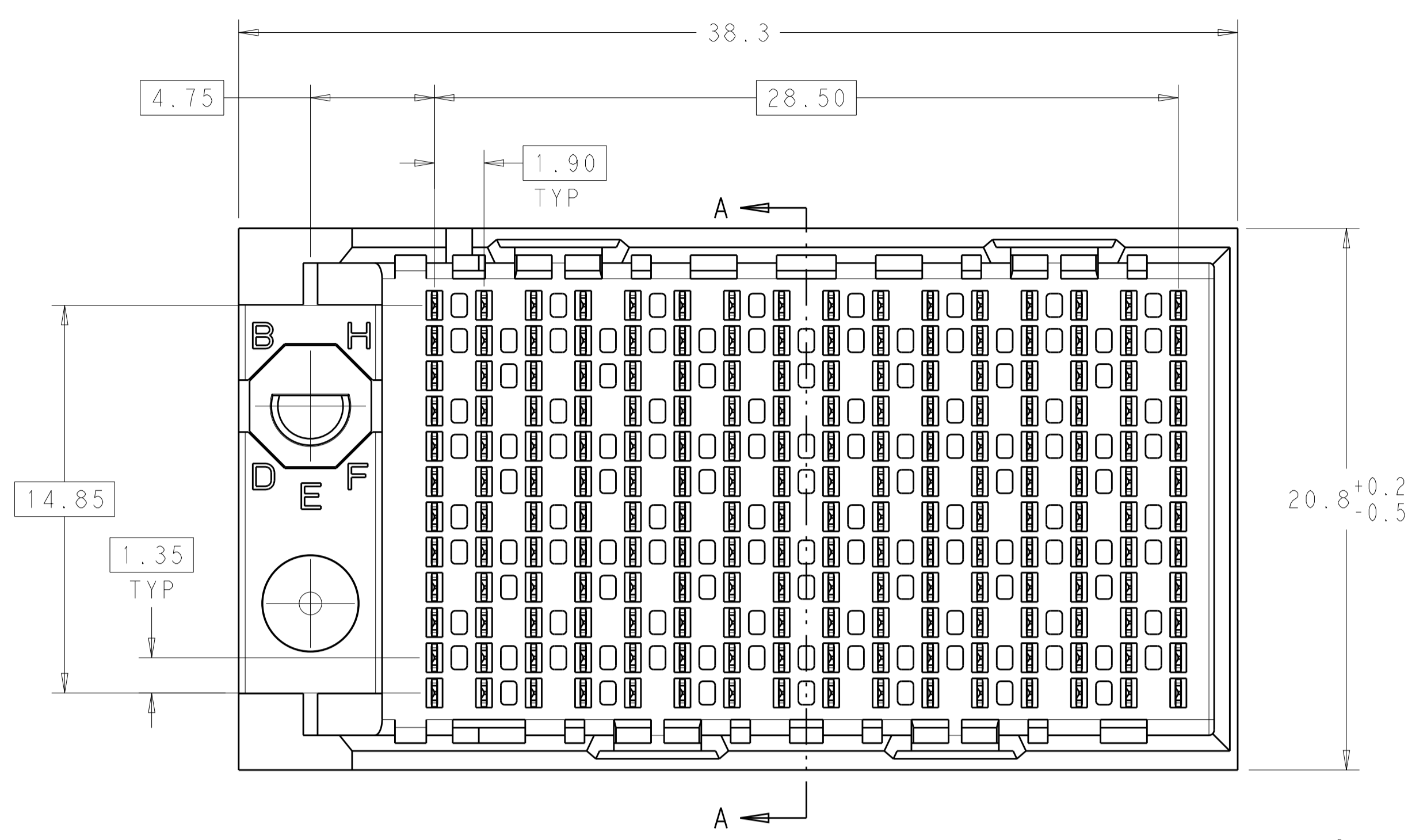
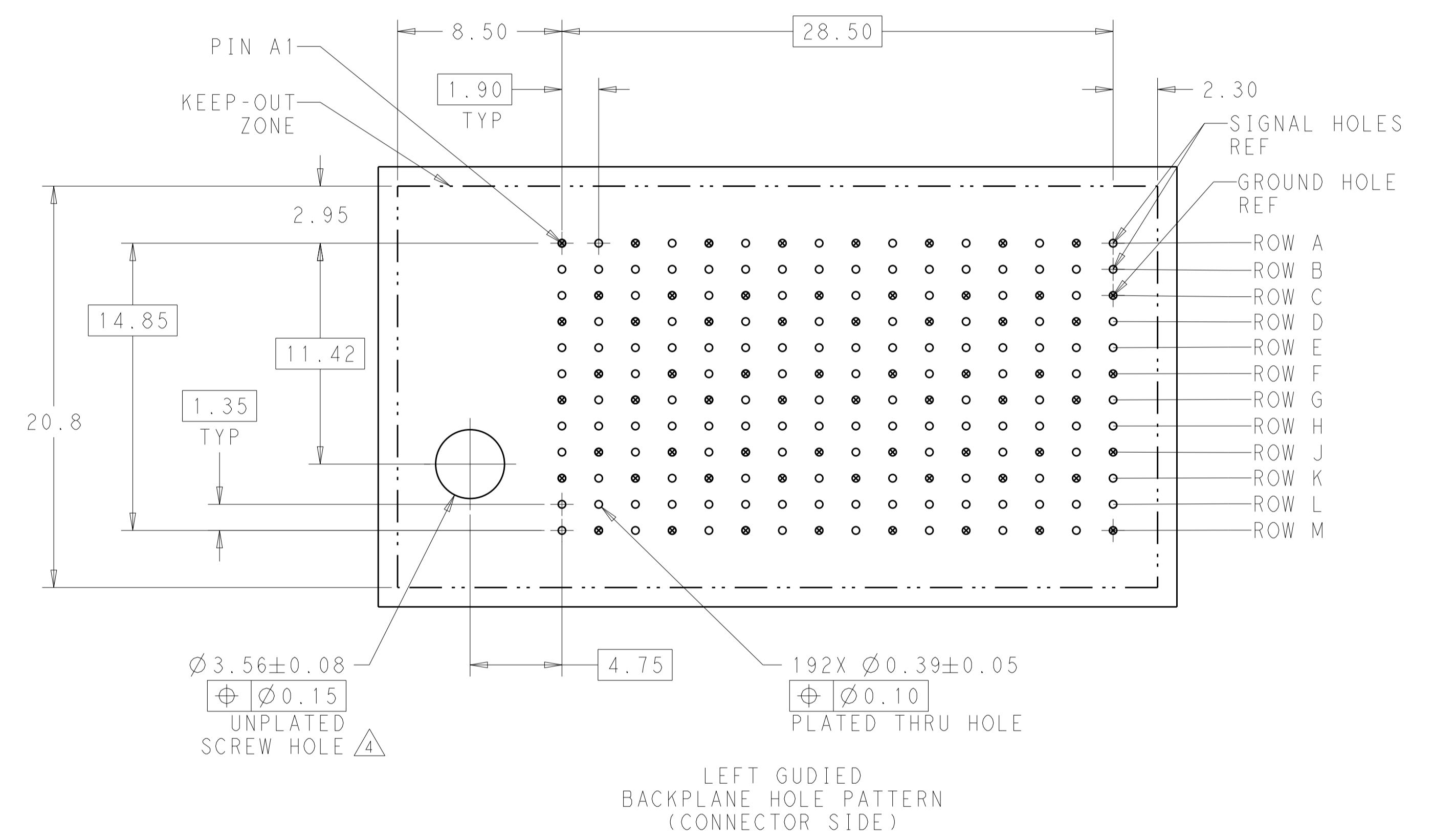
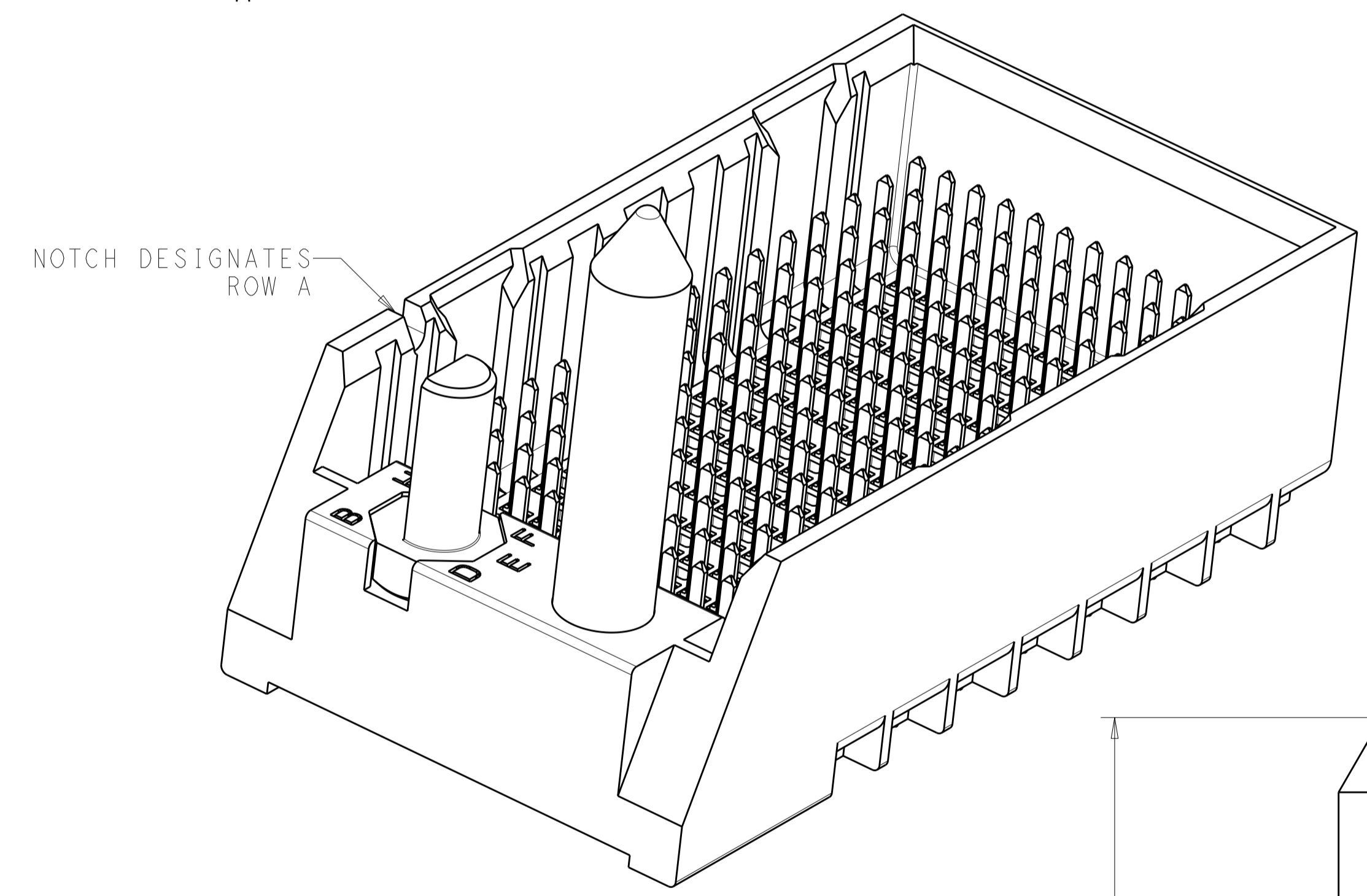


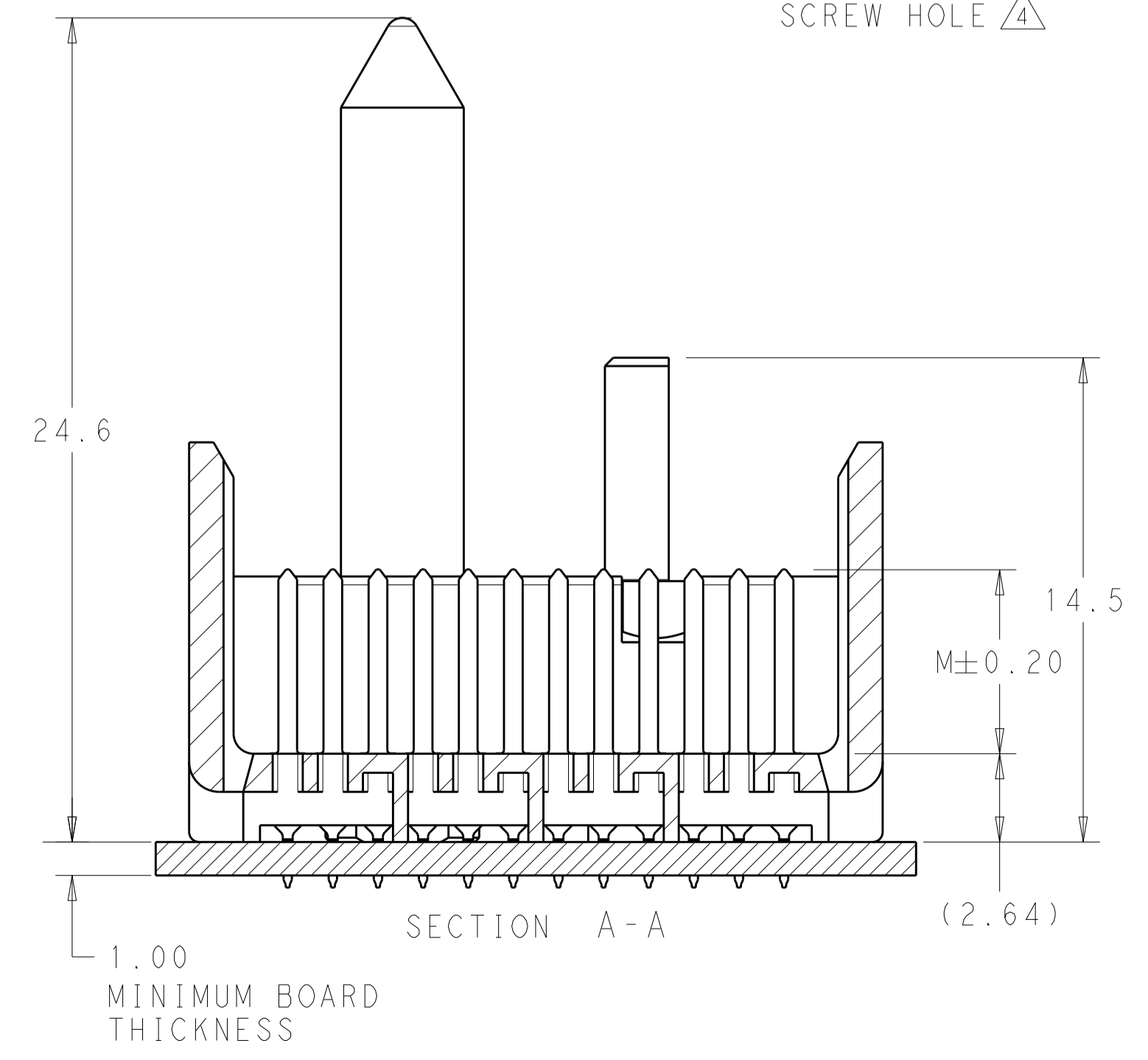
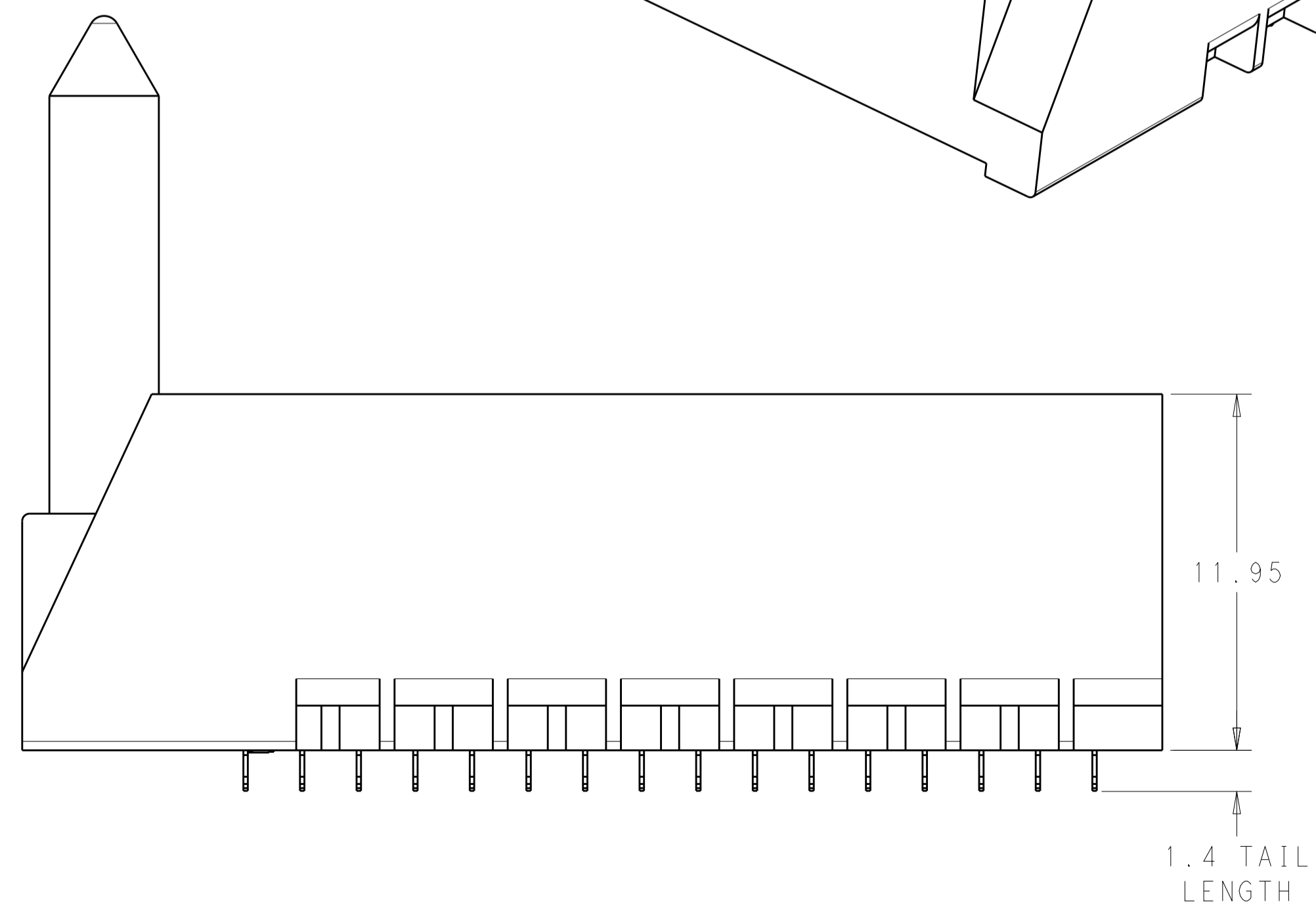
LOC	DIST	REVISIONS					
		P	LTN	DESCRIPTION	DATE	DWN	APVD
AD	00	B1		REVISED PER ECO-15-001494	05FEB2014	AP	DD



- △ MATERIAL:
HOUSING: LCP, GLASS FILLED, UL94V-0.
TERMINALS: HIGH PERFORMANCE COPPER ALLOY.
- △ FINISH:
30μ" MIN GOLD IN CONTACT AREA. SELECTIVE TIN ON PCB TAILS, NICKEL OVERALL.
- 3. SCREWS PACKAGED IN END OF PACKAGING TUBE.
- △ FOR GROUNDED GUIDE PIN USE Ø3.56±0.08 PTH, Ø3.66 DRILL, AND Ø6.5 PAD.
- 5. KEYING PIN SHOWN IN POSITION A, SEE KEYING CHART ON SHEET 2 FOR OTHER POSITIONS.



LEFT GUIDED BACKPLANE HOLE PATTERN (CONNECTOR SIDE)



THIS DRAWING IS A CONTROLLED DOCUMENT.		DWN: J. K. SHOBER 13JAN2011	TE Connectivity
DIMENSIONS: mm		CHK: J. EARY 13JAN2011	
TOLERANCES UNLESS OTHERWISE SPECIFIED:		APVD: J. EARY 13JAN2011	NAME: IMPACT, 4 PAIR, 16 COLUMN, HEADER LEFT GUIDED, RIGHT END WALL SIGNAL MODULE, 0.39 PTH
0 PLC ±0.25		PRODUCT SPEC	
1 PLC ±0.13		APPLICATION SPEC	SIZE: A100779C=2007827 SCALE: 6:1 SHEET 1 OF 2 REV: B1
2 PLC ±0.10		RESTRICTED TO	
3 PLC ±0.08		CUSTOMER DRAWING	
4 PLC ±0.05			
ANGLES ±0.5			
FINISH: SEE TABLE			

THIS DRAWING IS UNPUBLISHED. RELEASED FOR PUBLICATION 20
 © COPYRIGHT 20 . ALL RIGHTS RESERVED.

LOC		DIST		REVISIONS			
AD	00	P	LTN	DESCRIPTION	DATE	DMN	APVD
		-		SEE SHEET 1		-	-



	H	5.5	8-2007827-3
	H	4.9	8-2007827-2
	H	4.5	8-2007827-1
	G	5.5	7-2007827-3
	G	4.9	7-2007827-2
	G	4.5	7-2007827-1
	F	5.5	6-2007827-3
	F	4.9	6-2007827-2
	F	4.5	6-2007827-1
	E	5.5	5-2007827-3
	E	4.9	5-2007827-2
	E	4.5	5-2007827-1
	D	5.5	4-2007827-3
	D	4.9	4-2007827-2
	D	4.5	4-2007827-1
	C	5.5	3-2007827-3
	C	4.9	3-2007827-2
	C	4.5	3-2007827-1
	B	5.5	2-2007827-3
	B	4.9	2-2007827-2
	B	4.5	2-2007827-1
	A	5.5	1-2007827-3
	A	4.9	1-2007827-2
	A	4.5	1-2007827-1
	-	5.5	2007827-3
	-	4.9	2007827-2
	-	4.5	2007827-1
FINISH	KEY POSITION	DIM M	PART NUMBER

REFER TO WWW.TE.COM
FOR PRODUCT AVAILABILITY

THIS DRAWING IS A CONTROLLED DOCUMENT.		DMN J. K. SHOBER 13JAN2011	TE Connectivity
DIMENSIONS:		CHK J. EARY 13JAN2011	
mm	TOLERANCES UNLESS OTHERWISE SPECIFIED:	APVD J. EARY 13JAN2011	NAME IMPACT, 4 PAIR, 16 COLUMN, HEADER LEFT GUIDED, RIGHT END WALL SIGNAL MODULE, 0.39 PTH
	0 PLC ± 1 PLC ±0.25 2 PLC ±0.13 3 PLC ± 4 PLC ± ANGLES ±	PRODUCT SPEC	
MATERIAL	FINISH SEE TABLE	APPLICATION SPEC	SIZE CAGE CODE DRAWING NO A100779C=2007827
		WEIGHT	RESTRICTED TO
		CUSTOMER DRAWING	SCALE 5:1 SHEET 2 OF 2 REV B1