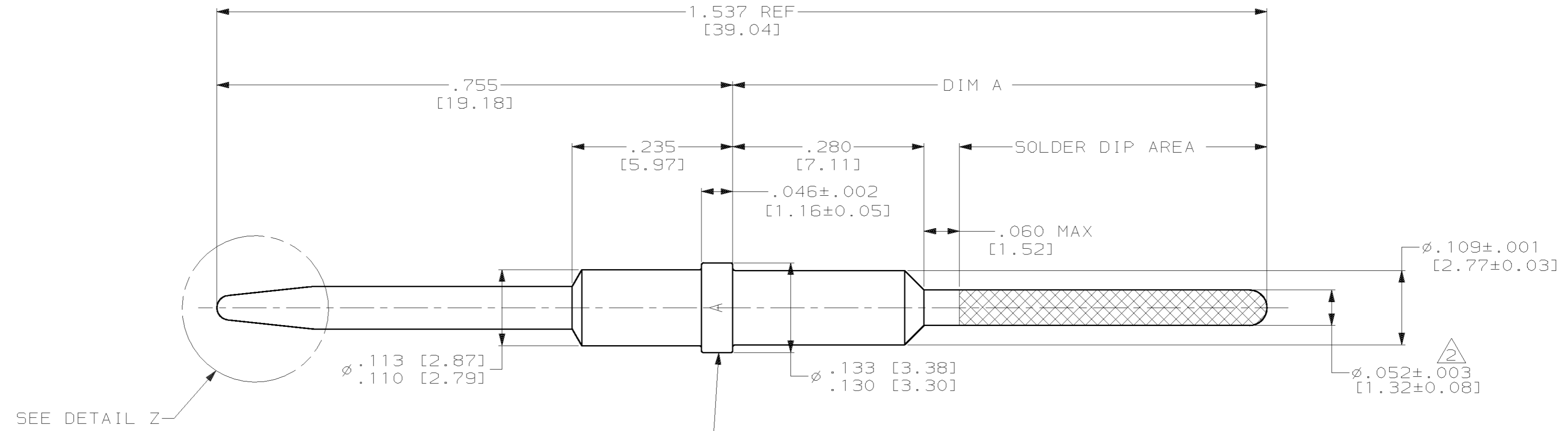


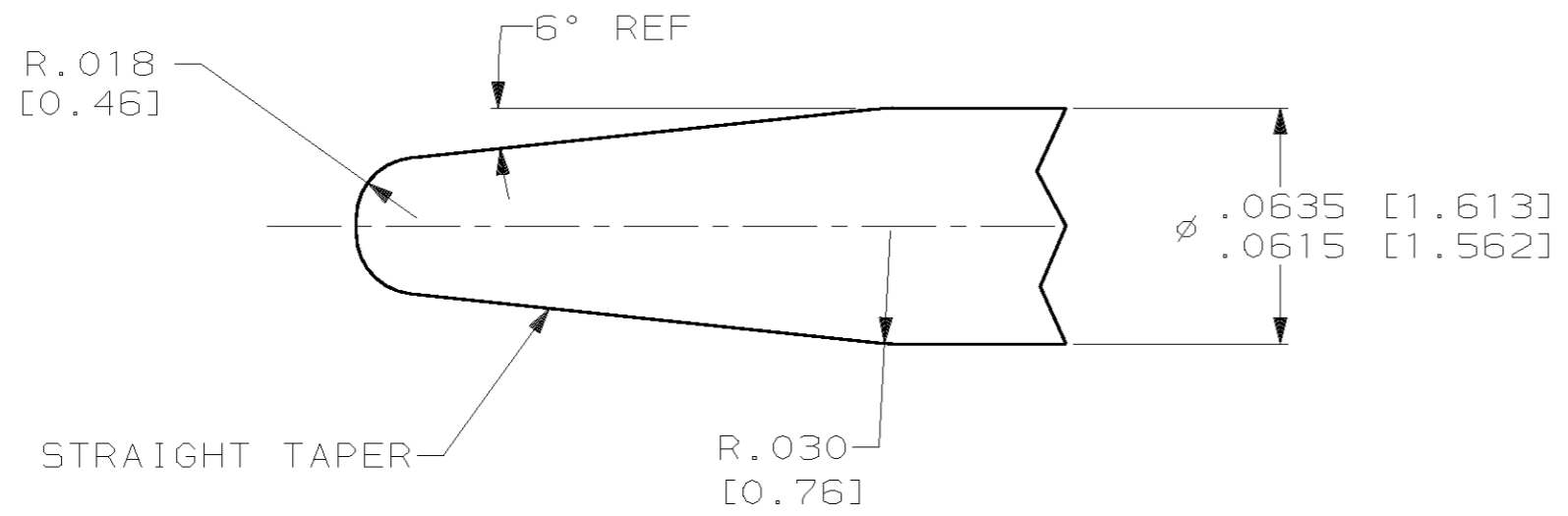
THIS DRAWING IS UNPUBLISHED. RELEASED FOR PUBLICATION .19
 (C) COPYRIGHT 19 BY AMP INCORPORATED. ALL RIGHTS RESERVED.

LOC	DIST	REVISIONS					
DF	AO	P	LTR	DESCRIPTION	DATE	DWN	APVD
		B		REV PER 063D-0517-03	9-11-03	JMK	5G

- 1. FOR USE IN ARINC 600 REAR RELEASE INSERT.
- 2. DIMENSIONS APPLY BEFORE SOLDER DIP.



MAT'L: LEADED COPPER PER ASTM-B-301
 FINISH: PLATED GOLD .000050 [0.0012] MIN THK
 PER ASTM-B-488 OVER NICKEL .000050 [0.0012]
 MIN THK. PER QQ-N-290



.522 [13.26]	NO	1-1663128-0
.652 [16.56]	NO	1663128-8
.635 [16.13]	YES	1663128-6
.635 [16.13]	NO	1663128-5
.782 [19.86]	YES	1663128-3
.782 [19.86]	NO	1663128-2
DIM A	SOLDER DIP	PART NUMBER

THIS DRAWING IS A CONTROLLED DOCUMENT.		DWN	C.C. THOMAS	11-19-02	 TYCO Electronics Harrisburg, PA 17105-3608
DIMENSIONS: INCHES [mm]		CHK	S. GLATFELTER	11-19-02	
TOLENCES UNLESS OTHERWISE SPECIFIED:		APVD	S. GLATFELTER	11-19-02	
0 PLC ±- 1 PLC ±- 2 PLC ±- 3 PLC ±.005 [0.13] 4 PLC ±- ANGLES ±-		NAME		S. GLATFELTER	
MATERIAL: SEE CALLOUT		FINISH: SEE CALLOUT		PRODUCT SPEC	PIN CONTACT, POSTED, SIZE 16, REAR RELEASE, ARINC 600
MATERIAL: SEE CALLOUT		FINISH: SEE CALLOUT		APPLICATION SPEC	
MATERIAL: SEE CALLOUT		FINISH: SEE CALLOUT		WEIGHT	-
MATERIAL: SEE CALLOUT		FINISH: SEE CALLOUT		CUSTOMER DRAWING	
MATERIAL: SEE CALLOUT		FINISH: SEE CALLOUT		SIZE	A2
MATERIAL: SEE CALLOUT		FINISH: SEE CALLOUT		CAGE CODE	00779
MATERIAL: SEE CALLOUT		FINISH: SEE CALLOUT		DRAWING NO	1663128
MATERIAL: SEE CALLOUT		FINISH: SEE CALLOUT		RESTRICTED TO	-
MATERIAL: SEE CALLOUT		FINISH: SEE CALLOUT		SCALE	8:1
MATERIAL: SEE CALLOUT		FINISH: SEE CALLOUT		SHEET	1 OF 1
MATERIAL: SEE CALLOUT		FINISH: SEE CALLOUT		REV	B