

2.4 GHz External Whip Antenna



AEACAQ190012-S2400



190.0 x Ø12.9 mm
RoHS/RoHS II Compliant

MSL = N/A: NOT APPLICABLE

FEATURES

- MAX Gain of 5.0 dBi
- Operates in 2.4 GHz
- 10W input power
- VSWR \leq 2.0
- 2400MHz

APPLICATIONS

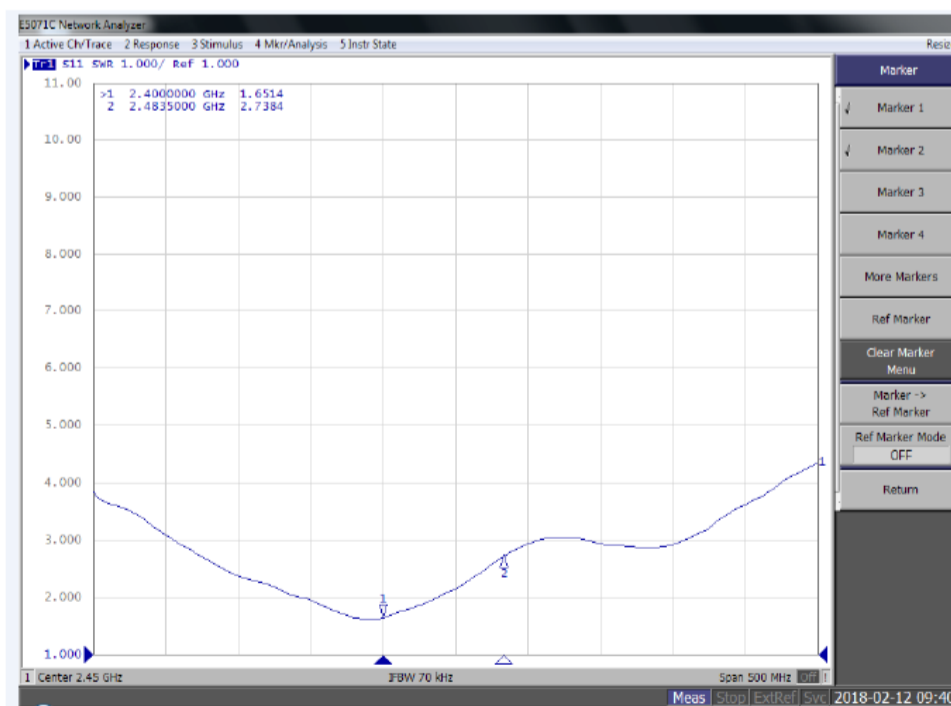
- WiFi
- ISM Applications
- Wireless Communication System
- Router

ELECTRICAL SPECIFICATIONS

Parameters	Min.	Typ.	Max.	Units	Note
Frequency Range		2400~2483.5		MHz	
VSWR			2.0		@ 2400 MHz
Polarization Model		Linear			
Impedance		50		Ω	
Gain			5.0	dBi	
Operating Temperature	-40		+85	$^{\circ}$ C	
Input Power			10	W	

RETURN - LOSS CHARACTERISTICS

S11 Return-Loss



2.4 GHz External Whip Antenna



AEACAQ190012-S2400



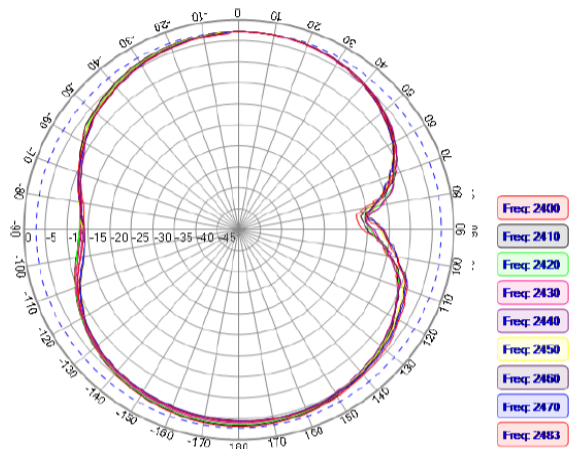
190.0 x Ø12.9 mm
RoHS/RoHS II Compliant

MSL = N/A: NOT APPLICABLE

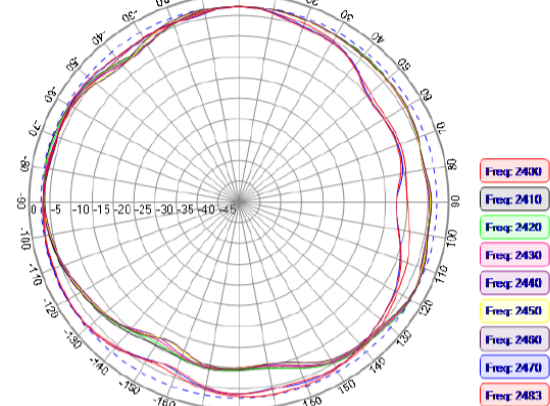
RADIATION PATTERNS

Antenna 2D Patterns

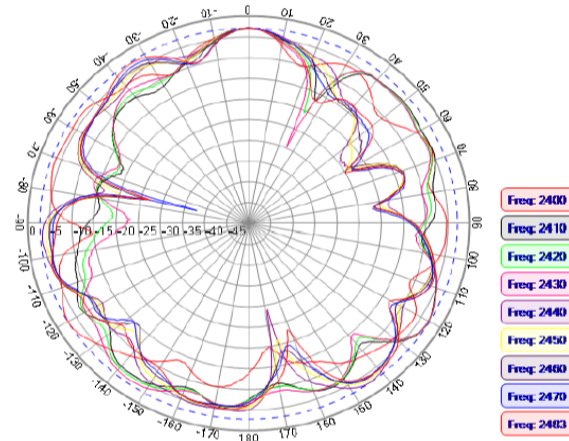
XY Plane



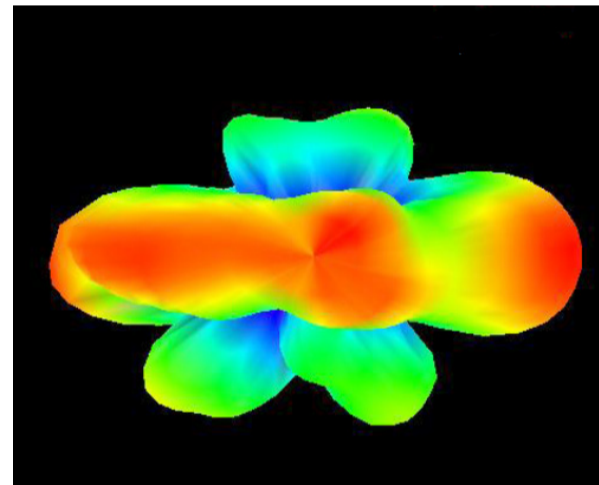
XZ Plane



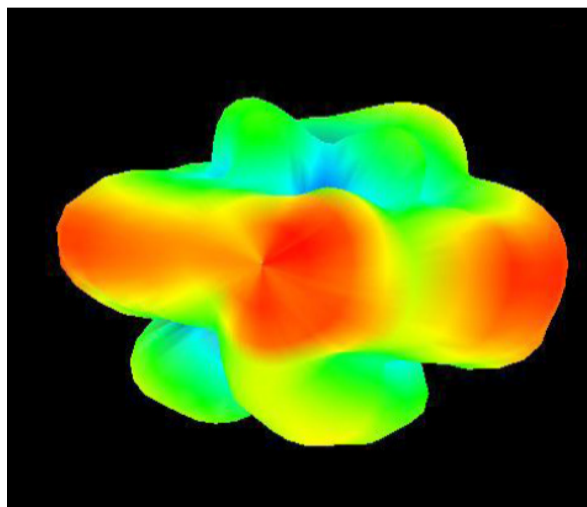
YZ Plane



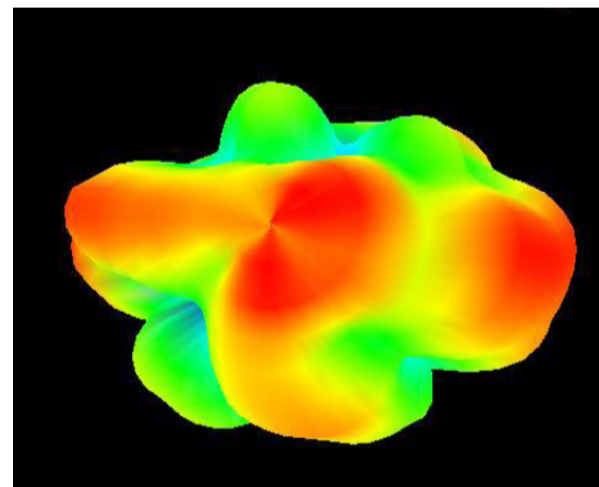
Antenna 3D Pattern
2400 MHz



2450 MHz



2483 MHz



Frequency (MHz)	2400	2450	2483
Peak Gain (dBi)	3.84	3.53	2.89
Efficiency (%)	57	58	56

2.4 GHz External Whip Antenna



AEACAQ190012-S2400

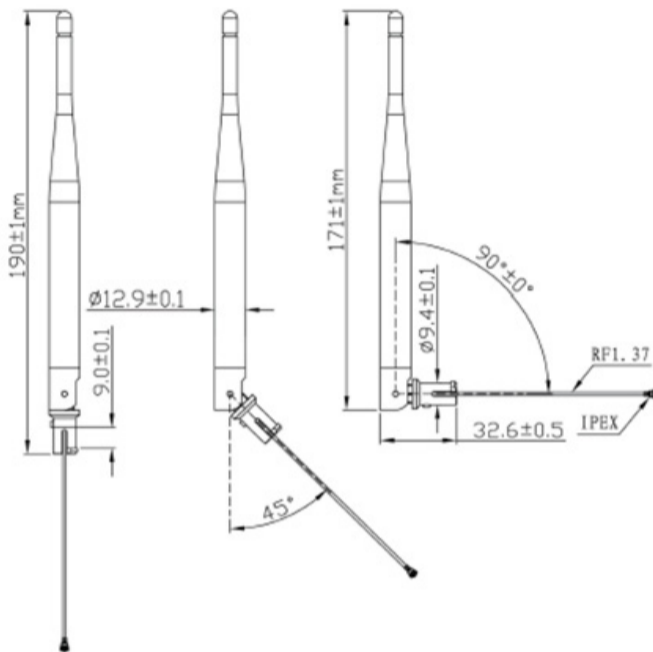


190.0 x Ø12.9 mm
RoHS/RoHS II Compliant

MSL = N/A: NOT APPLICABLE

DIMENSIONS

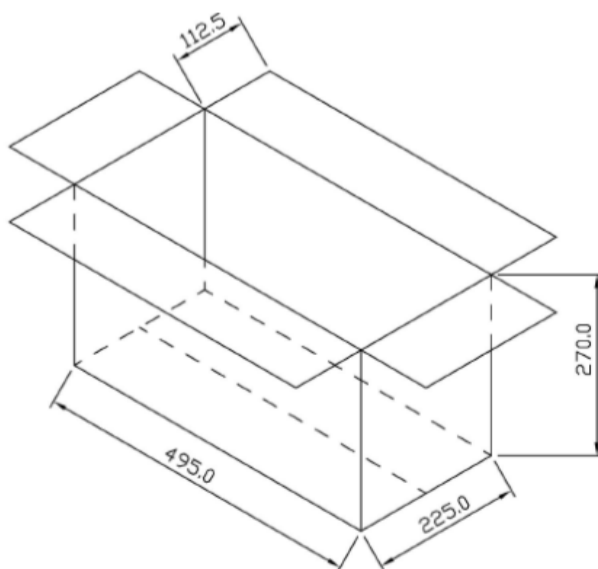
Unit: mm



Parameters	Description
Cable Length	10.0 cm
RF Cable	RG178/RF1.37 or others
RF Connector	IPEX or others
Mounting Type	Knuckle

PACKAGING

Each 495 x 225 x 270 mm size carton includes 500 pcs antenna, 13kgs/carton.



Unit: mm

