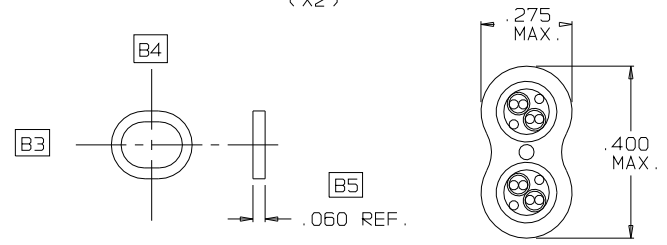
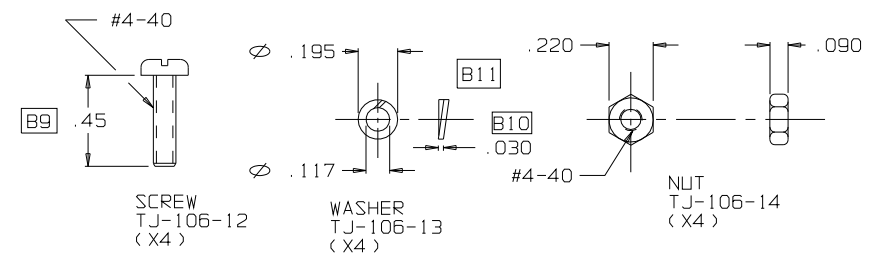
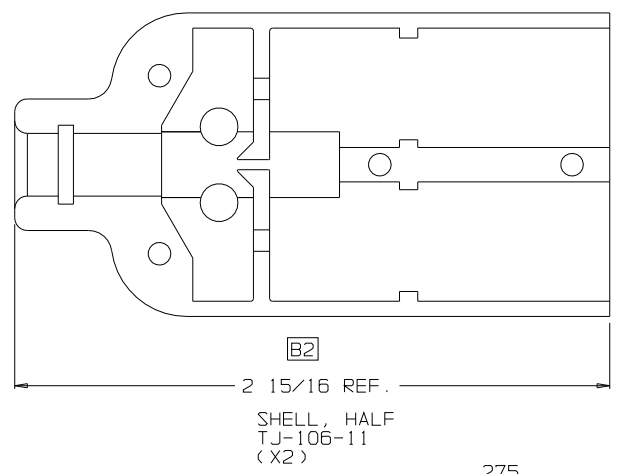
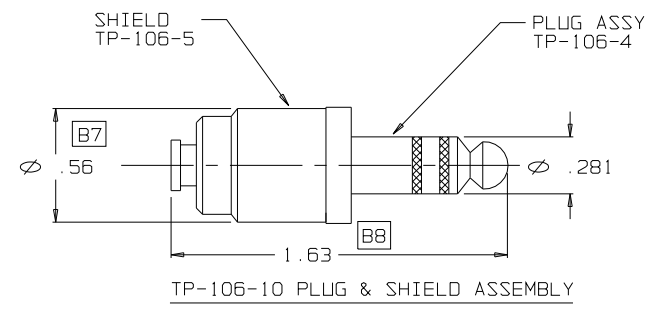
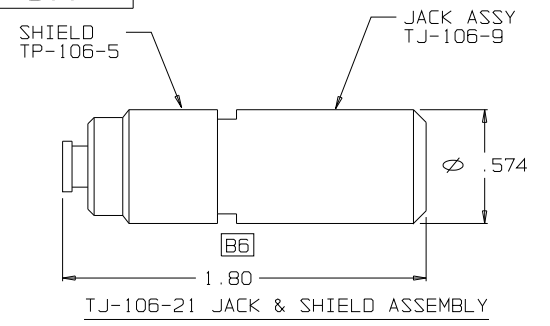
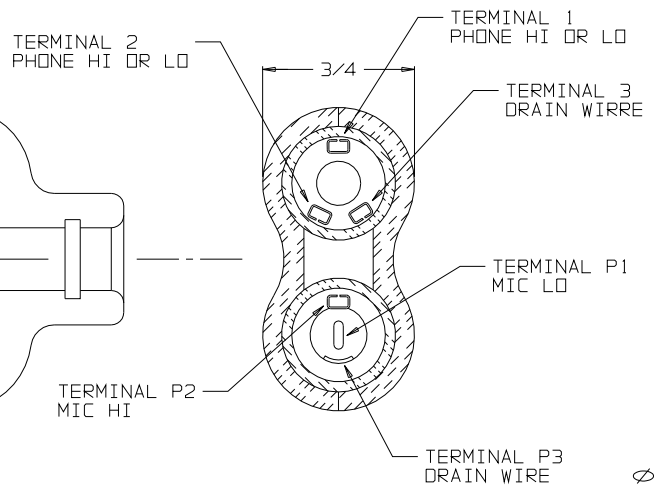
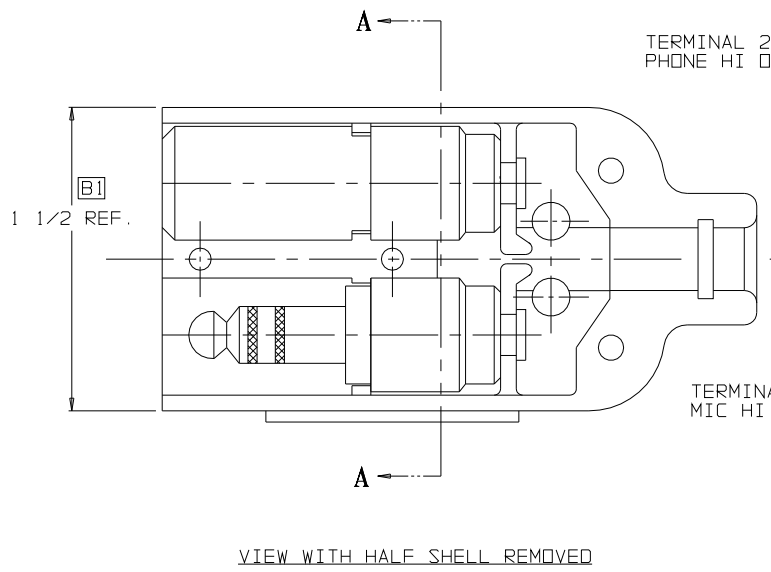
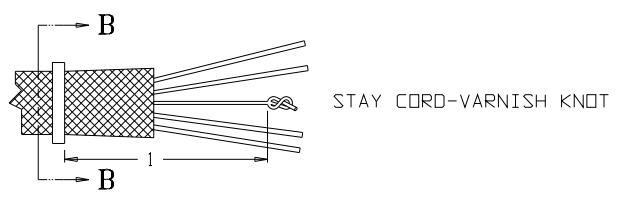


C TJ-106



SECTION B-B
STRAIN RELIEF
CLAMP TJ-106-10A
AFTER CRIMPING
SCALE: 4:1



THIS DOCUMENT CONTAINS PROPRIETARY INFORMATION OF NEXUS, INCORPORATED AND SUCH INFORMATION MAY NOT BE DISCLOSED TO OTHERS FOR ANY PURPOSE OR USED FOR ANY PURPOSE WITHOUT THE WRITTEN CONSENT OF NEXUS.

DWN. BY EWT		DATE 8/3/01		MATERIAL _____	
CHECKED BY _____		DATE _____		FINISH _____	
APPR. BY _____		DATE _____		WEIGHT _____ SCALE 2:1	
UNLESS OTHERWISE SPECIFIED DIMENSIONS ARE IN INCHES TOLERANCES ON FRACTIONS DECIMALS ANGLES				TITLE JACK-TELEPHONE-BIAXIAL SHIELDED (6) CONDUCTOR	
LET. _____		REVISION _____		DO NOT SCALE DWG. SHEET 1 OF 1	
B		031		11/3/09 GPH	
A		INITIAL RELEASE		9/18/01 EWT	
SIZE C		DWG. NO. TJ-106			