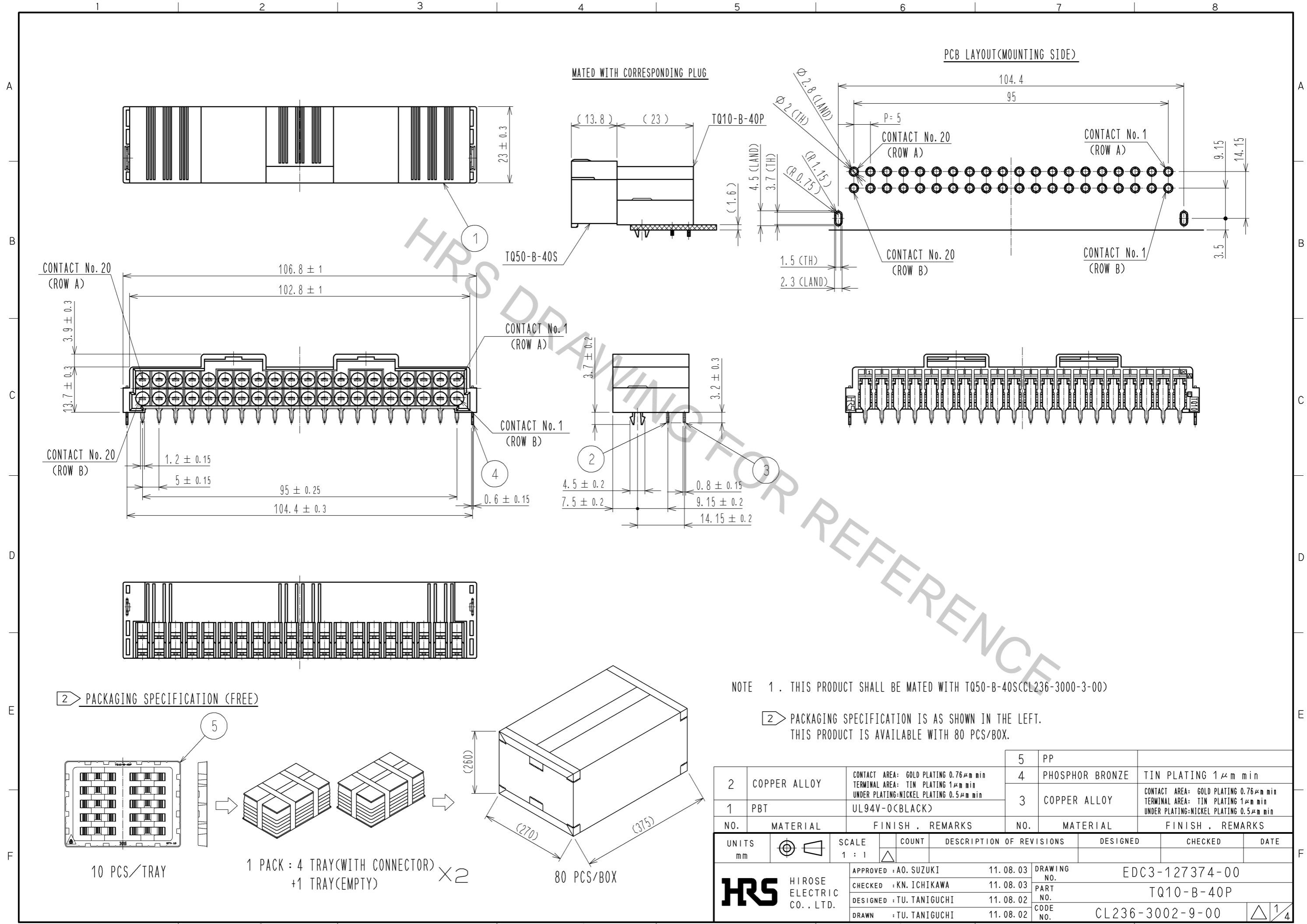


Dec.1.2018 Copyright 2018 HIROSE ELECTRIC CO., LTD. All Rights Reserved.
 In case that the application demands a high level of reliability, such as automotive,
 please contact a company representative for further information.

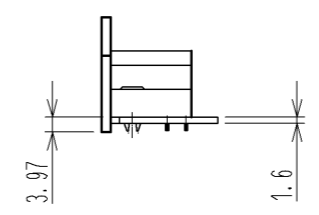
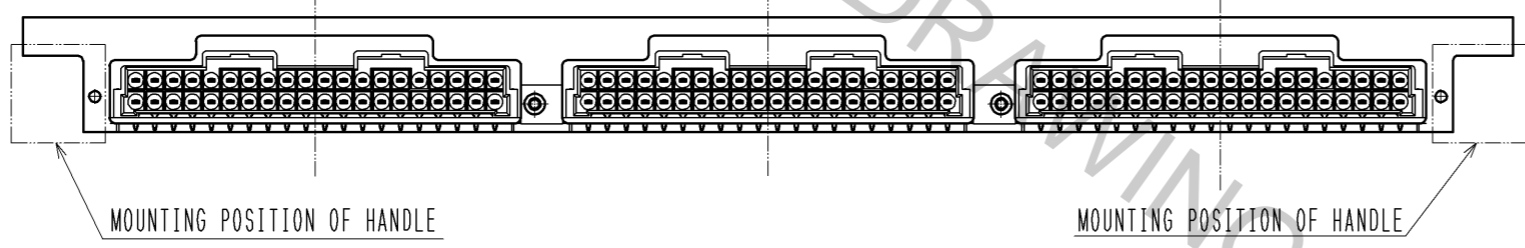
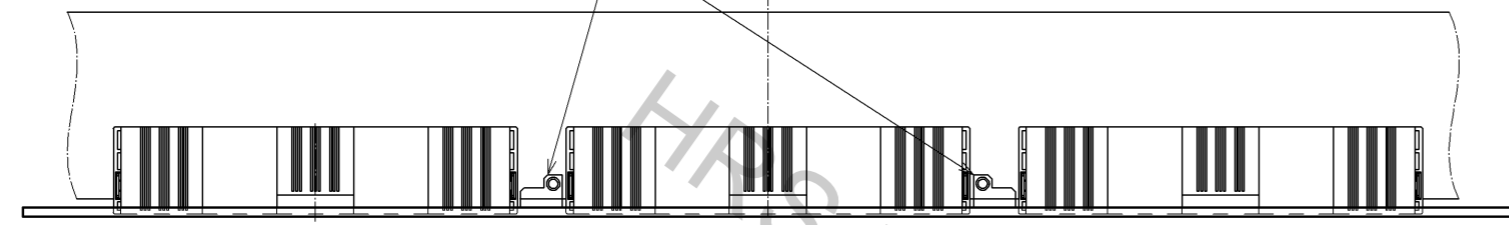


5	PP				
2	COPPER ALLOY	CONTACT AREA: GOLD PLATING 0.76µm min TERMINAL AREA: TIN PLATING 1µm min UNDER PLATING-NICKEL PLATING 0.5µm min	4	PHOSPHOR BRONZE	TIN PLATING 1µm min
1	PBT	UL94V-0(BLACK)	3	COPPER ALLOY	CONTACT AREA: GOLD PLATING 0.76µm min TERMINAL AREA: TIN PLATING 1µm min UNDER PLATING-NICKEL PLATING 0.5µm min
NO.	MATERIAL	FINISH . REMARKS	NO.	MATERIAL	FINISH . REMARKS
UNITS mm		SCALE 1 : 1	COUNT	DESCRIPTION OF REVISIONS	
DESIGNED		CHECKED		DATE	
APPROVED : A0. SUZUKI			11.08.03	DRAWING NO. EDC3-127374-00	
CHECKED : KN. ICHIKAWA			11.08.03	PART NO. TQ10-B-40P	
DESIGNED : TU. TANIGUCHI			11.08.02	CODE NO. CL236-3002-9-00	
DRAWN : TU. TANIGUCHI			11.08.02	1/4	

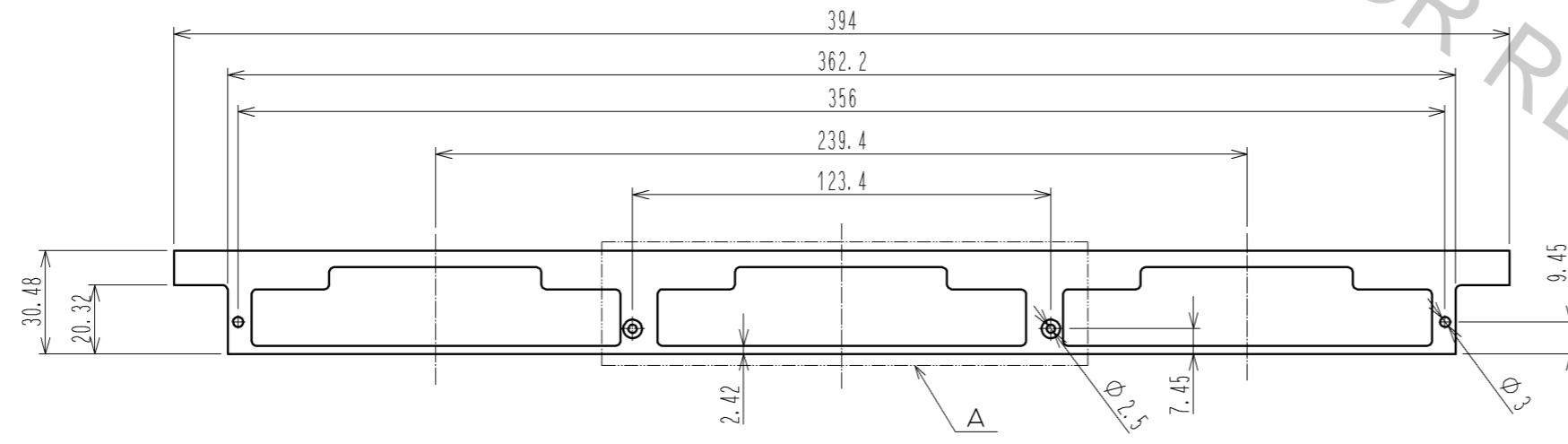
Dec.1.2018 Copyright 2018 HIROSE ELECTRIC CO., LTD. All Rights Reserved.
 In case that the application demands a high level of reliability, such as automotive,
 please contact a company representative for further information.

19 INCH PANEL CUTOUT FOR REFERENCE, REAR MOUNTED:3U-6Hp
 (1:2)

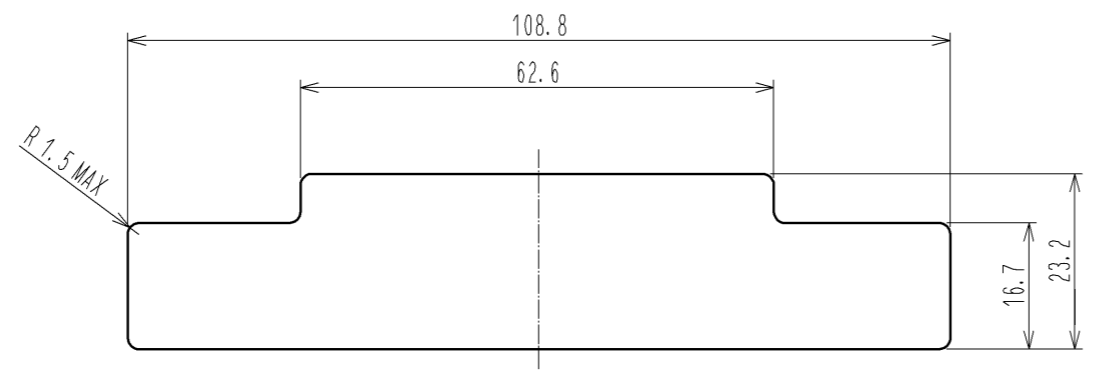
FRONT PANEL APPLICATION ATTACHMENT PARTS
 (COMPANY:UBER, METAL PEG, No:33981U085)



19 INCH PANEL CUTOUT FOR REFERENCE:3U-6Hp
 (1:2)



A (1:1)

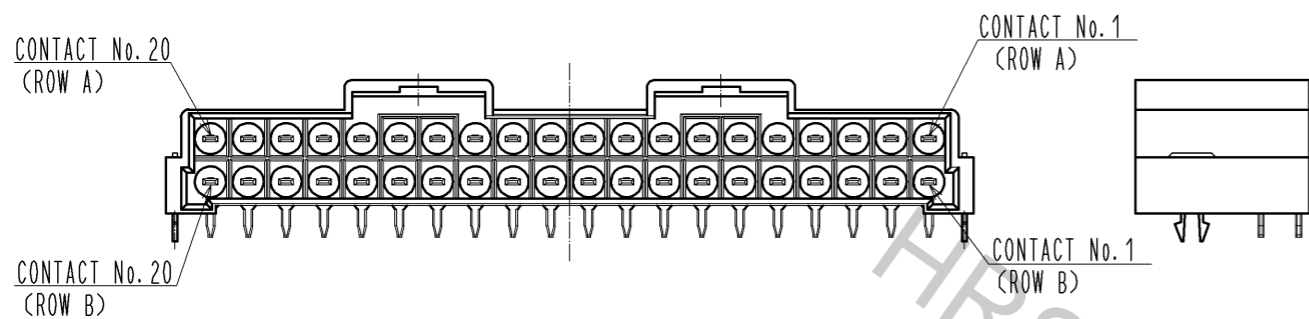


図番: EDC3-127374-00
 製品名: TQ10-B-40P
 製品コード: CL236-3002-9-00

2/4

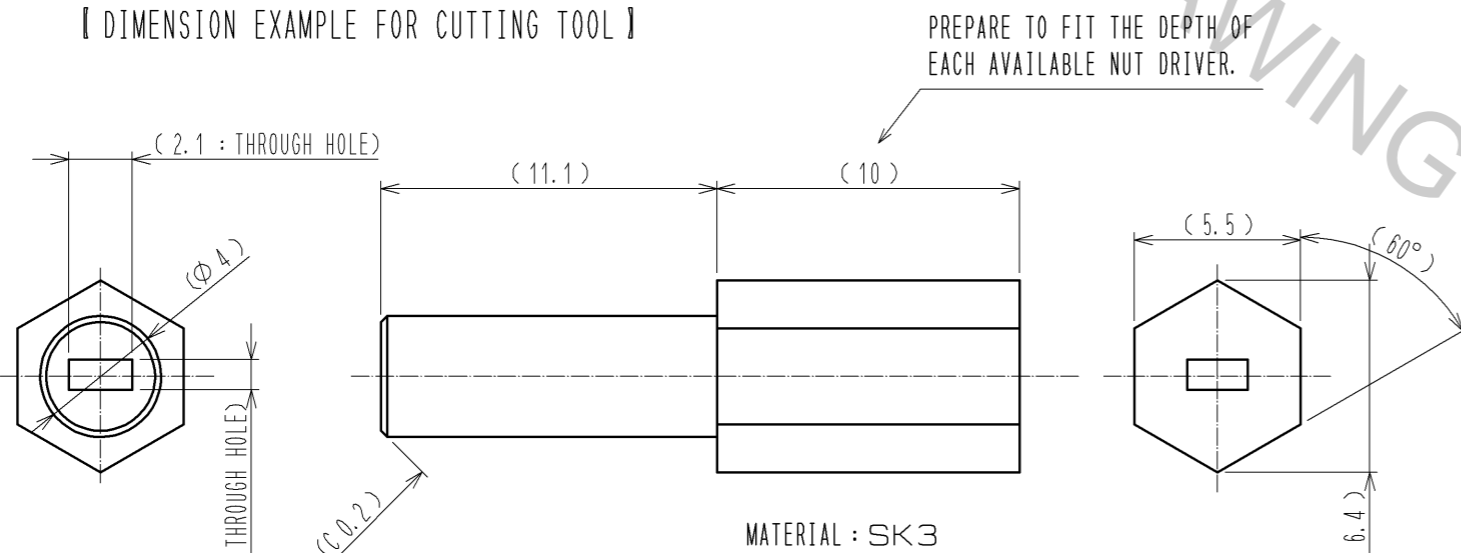
【 MIS-MATING PREVENTION WITH CODING KEY 】
 PRECAUTIONS FOR THE ARRANGEMENT OF CODING KEY ARE ON THE NEXT PAGE.

【 TQ10-B-40P 】



ATTACH THE CONTACT CUTTING TOOL (REFERENCE) SHOWN IN BELOW INTO A COMMERCIALLY AVAILABLE NUT DRIVER (H5.5 WITH MAGNET), AND CUT INDICATED CONTACT BY TWISTING.

【 DIMENSION EXAMPLE FOR CUTTING TOOL 】

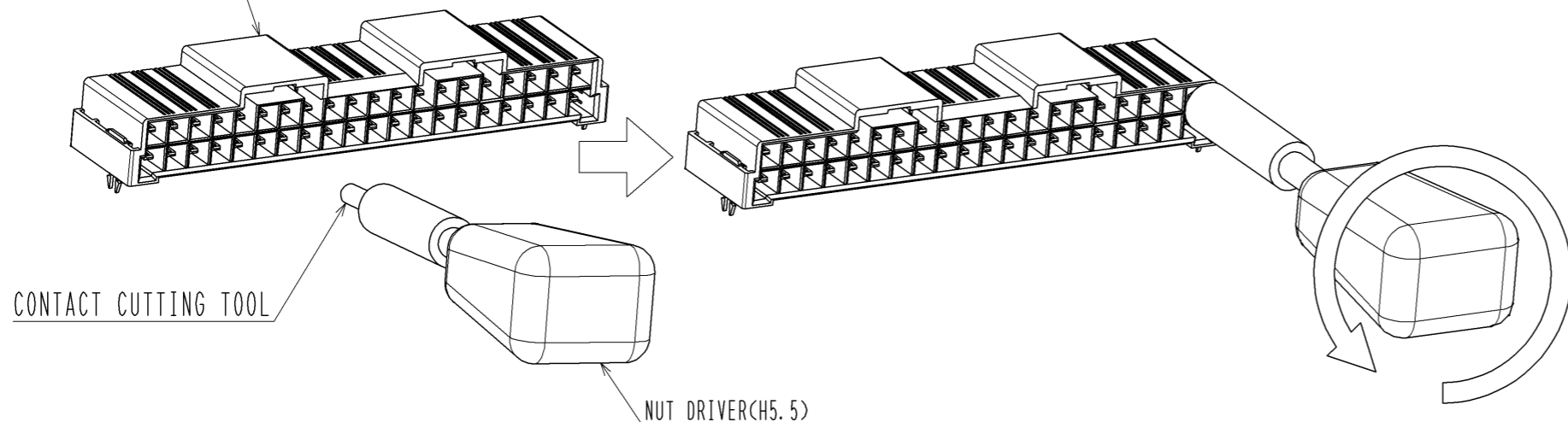


PREPARE TO FIT THE DEPTH OF EACH AVAILABLE NUT DRIVER.

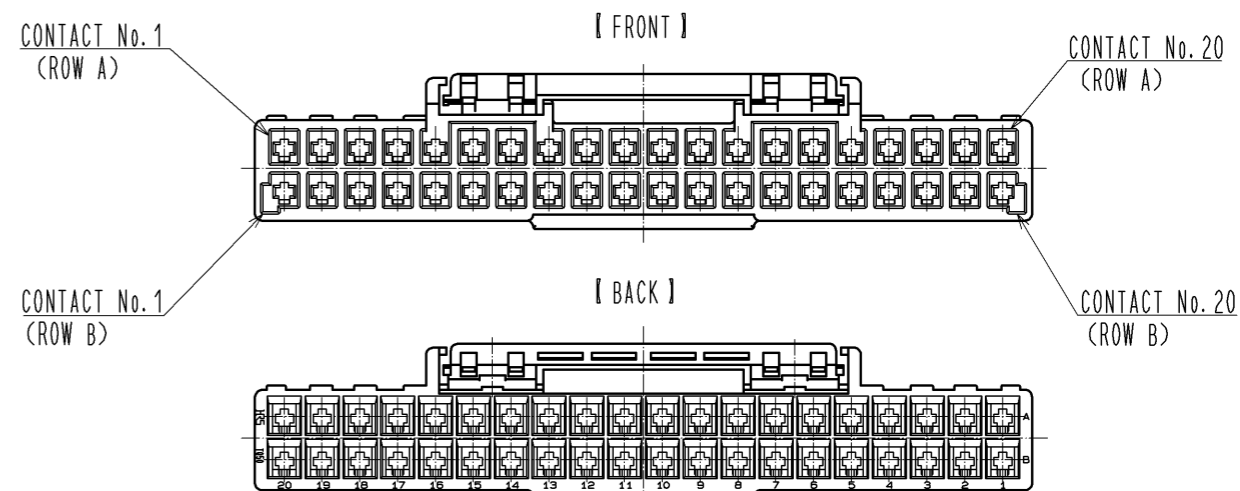
MATERIAL : SK3

NOTE: DIMENSION DETAILS OF HEX-HEAD NUT IS ACCORDING TO 'JIS B 1181 HEX NUTS CLASS 1 REGULAR M3'.

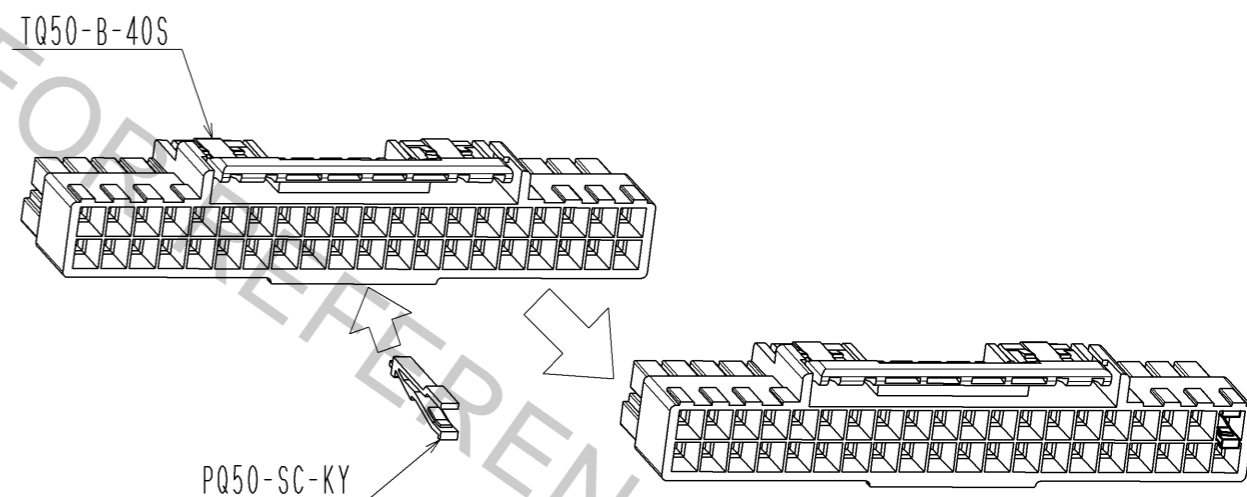
TQ10-B-40P



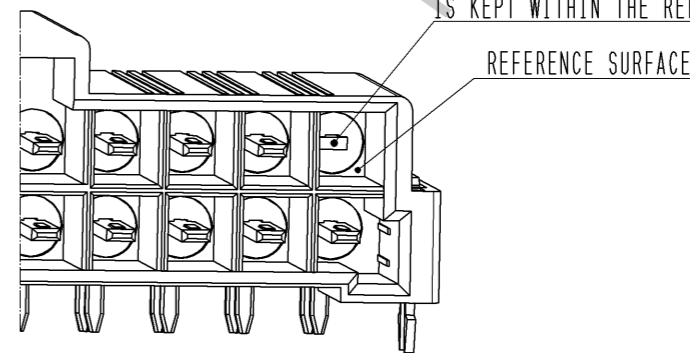
【 TQ50-B-40S 】



INSERT PQ50-SC-KY(CL236-2009-2) INTO THE SPECIFIED CONTACT CAVITY OF TQ50-B-40S.



MAKE SURE THAT BURR CAUSED BY CUTTING THE CONTACT IS KEPT WITHIN THE REFERENCE SURFACE.



HRS	DRAWING NO.	EDC3-127374-00
	PART NO.	TQ10-B-40P
	CODE NO.	CL236-3002-9-00
		△ 3/4

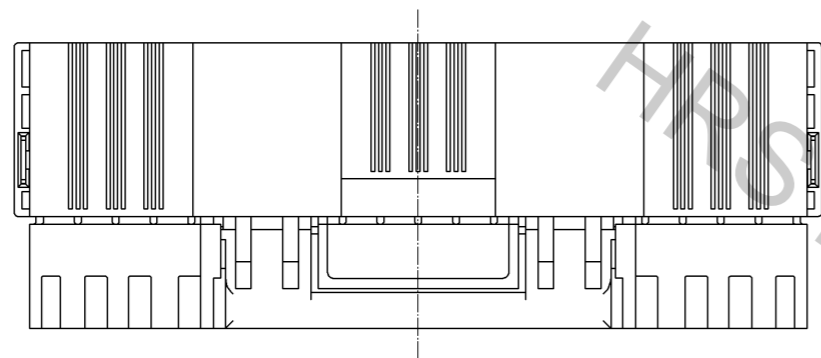
Dec.1.2018 Copyright 2018 HIROSE ELECTRIC CO., LTD. All Rights Reserved. In case that the application demands a high level of reliability, such as automotive, please contact a company representative for further information.

【 PRECAUTION ON HANDLE 】

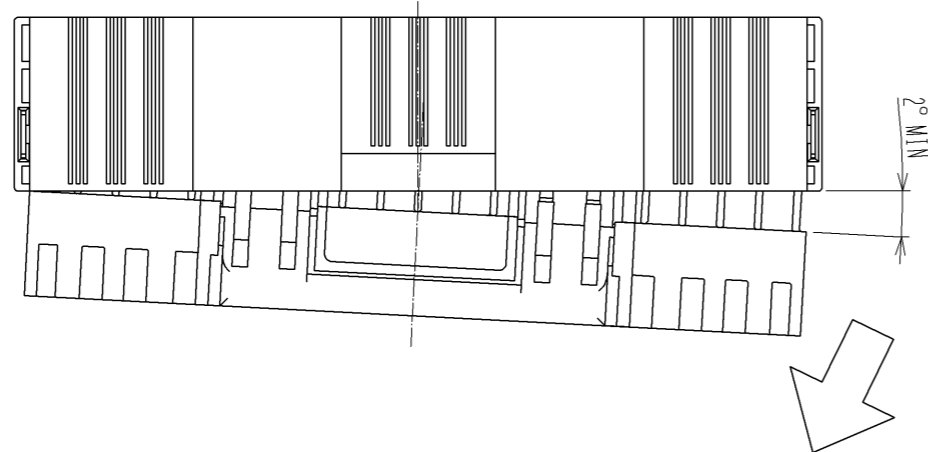
【 INSERTION AND WITHDRAWAL 】

CONNECTOR COULD BE DAMAGED IF EXCESSIVE FORCE IS APPLIED DURING INSERTION AND WITHDRAWAL. MAKE SURE TO INSERT AND WITHDRAW THE CONNECTOR STRAIGHT.

GOOD

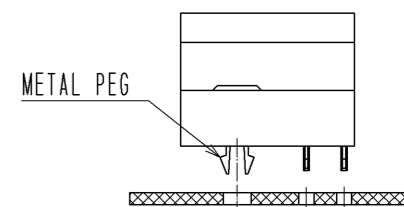


BAD

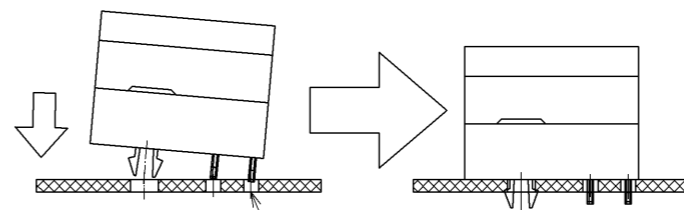


【 MOUNTING ON PCB 】

METAL PEG COULD BE PUSHED OUT IF AN EXCESSIVE FORCE IS APPLIED ON METAL PEG DURING MOUNTING ON PCB. MAKE SURE TO INSERT THE METAL PEG FITTINGS AFTER STABILIZING THE CONNECTOR POSITION TO THE SUBSTRATE BY THE CONTACT LEADS.

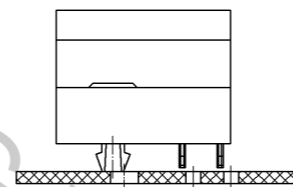


GOOD



AFTER STABILIZING THE POSITION BY THE CONTACT LEADS, INSERT THE METAL PEG TO THE HOLE.

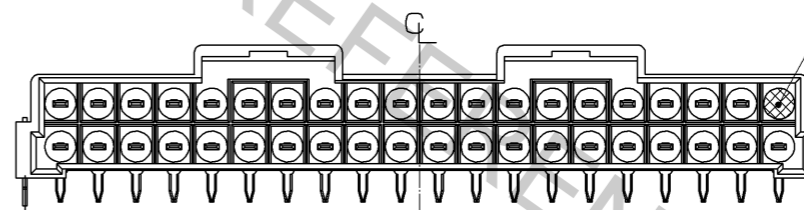
BAD



【 POSITION OF CODING KEY 】

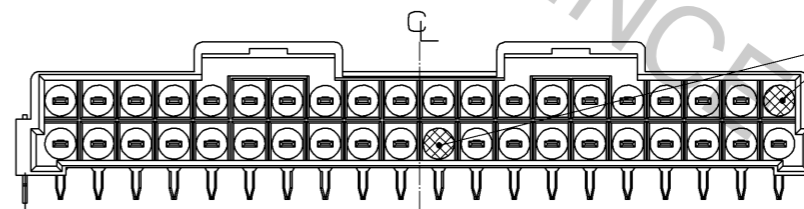
PLEASE SET UP THE KEY TO PREVENT MIS-MATING AT TWO PLACES OR MORE. NOTE: AVOID SETTING UP THE KEY TO ONE-SIDED FROM THE CENTERLINE.

BAD



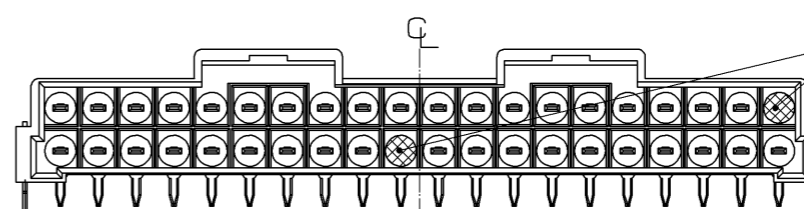
ONLY ONE-PLACE ON ONE SIDE

BAD



TWO-PLACE ON ONE SIDE (TO THE CENTER LINE)

GOOD



ONE-PLACE ON EACH SIDES (TO THE CENTER LINE)

HRS	DRAWING NO.	EDC3-127374-00	4/4
	PART NO.	TQ10-B-40P	
	CODE NO.	CL236-3002-9-00	

Dec.1.2018 Copyright 2018 HIROSE ELECTRIC CO., LTD. All Rights Reserved. In case that the application demands a high level of reliability, such as automotive, please contact a company representative for further information.