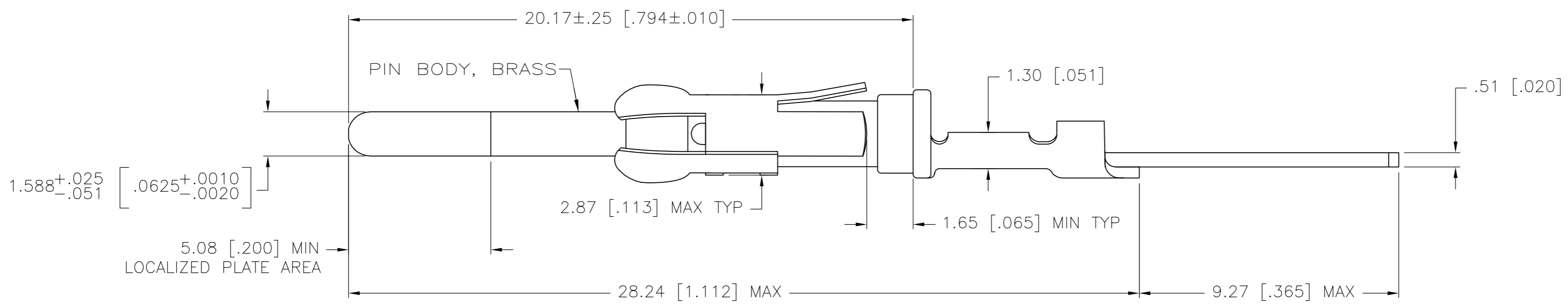
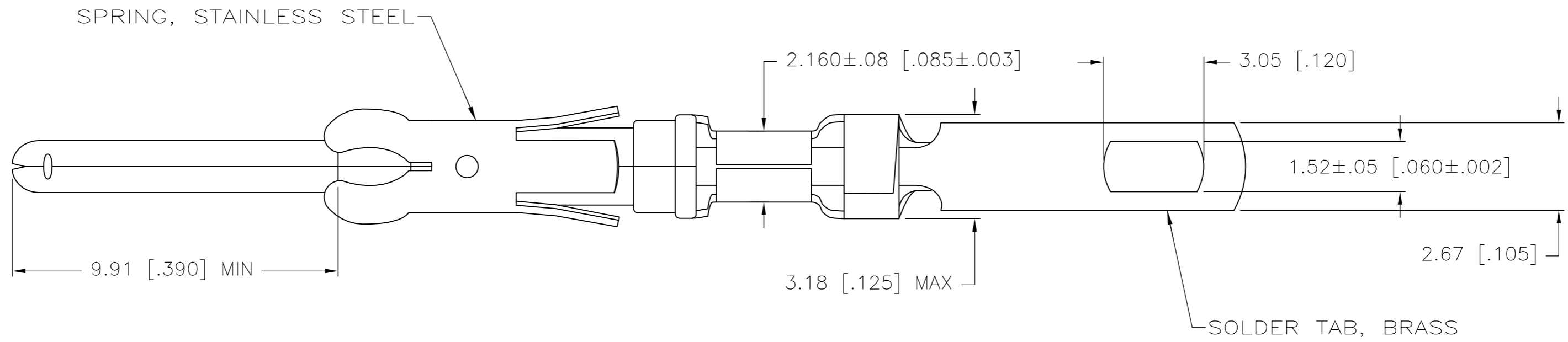


THIS DRAWING IS UNPUBLISHED. RELEASED FOR PUBLICATION  
 © COPYRIGHT - ALL RIGHTS RESERVED.

REVISIONS				
P	LTR	DESCRIPTION	DATE	APVD
T2		REVISED PER ECO-16-004223	21JUL2016	NK MZ



- ① 1.27µm [.000050] MIN TIN-LEAD OVER  
1.27µm [.000050] MIN NICKEL.
- ② 0.76µm [.000030] MIN GOLD IN LOCALIZED PLATE AREA, 0.25µm [.000010] MIN GOLD ON THE REMAINDER ALL OVER  
1.27µm [.000050] MIN NICKEL.
- ③ 2.54µm [.000100] MIN TIN-LEAD OVER  
1.27µm [.000050] MIN NICKEL.
- ④ 2.54µm [.000100] MIN TIN OVER  
1.27µm [.000050] MIN NICKEL.
- ⑤ 1.27µm [.000050] MIN TIN OVER  
1.27µm [.000050] MIN NICKEL.

OBSOLETE	④	SMALL PACK	②	<del>202236-8</del>
		STANDARD	②	202236-7
	③	SMALL PACK	⑤	202236-6
		STANDARD	⑤	202236-5
		STANDARD	①	202236-4
		SMALL PACK	②	202236-3
		STANDARD	①	202236-2
		STANDARD	②	202236-1
FINISH SOLDER TAB	PACKAGING TYPE	FINISH	PART NO	

THIS DRAWING IS A CONTROLLED DOCUMENT.

DWN H MOLL 27SEP90	 TE Connectivity			
CHK J.McCLINTON 15DEC90				
APVD A. BOULLIANNE 15DEC90				
PRODUCT SPEC				
APPLICATION SPEC	NAME			
FINISH	SIZE	CAGE CODE	DRAWING NO	RESTRICTED TO
SEE CALL OUT	SCALE 8:1	A2 00779	C=202236	—
PIN BODY:SEE TABLE	CUSTOMER DRAWING	SHEET 1 of 1	REV T2	