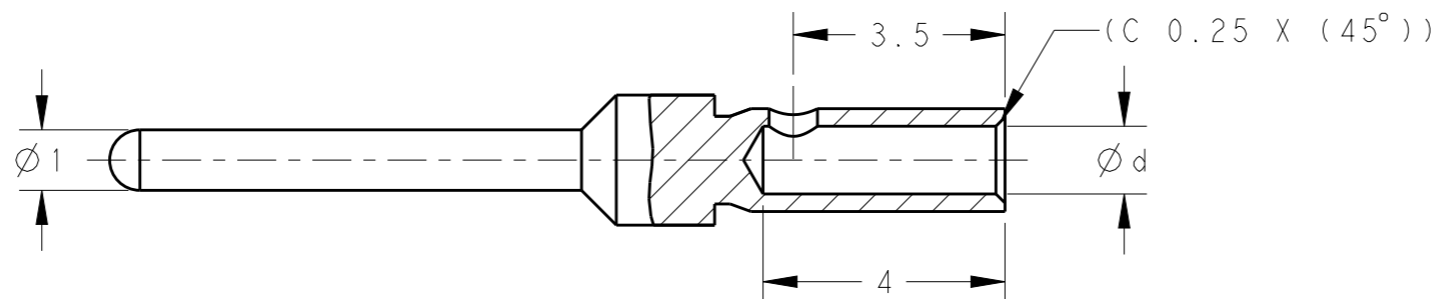
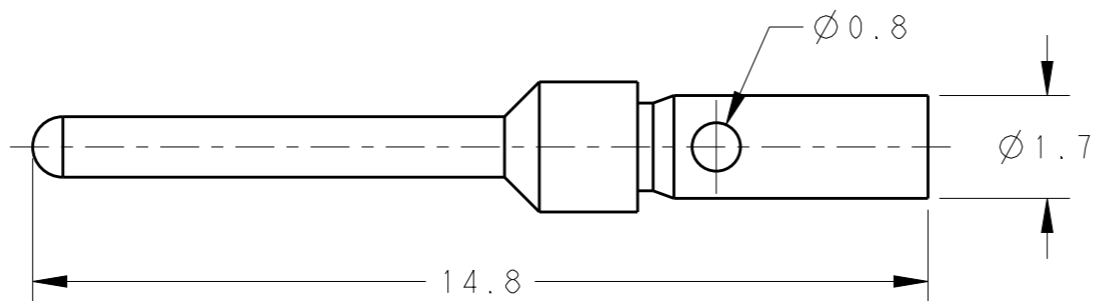
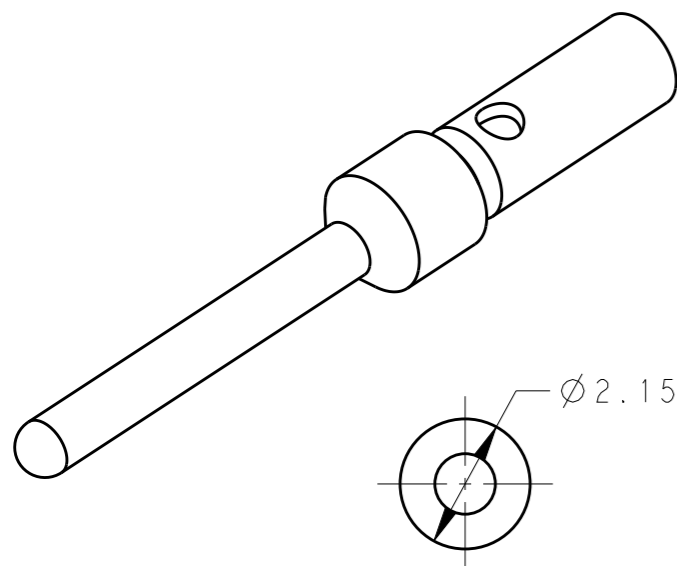


REVISIONS

P	LTR	DESCRIPTION	DATE	DWN	APVD
	A	INITIAL	15MAY2015	DW	CW
	A1	ECR-16-002757	24FEB2016	RL	CW



NOTES:

- 1. TECHNICAL CHARACTERISTICS:
 CONTACT MATERIAL: BRASS
 SURFACE PLATING:
 SILVER PLATING: $\geq 2\mu\text{m}$
 GOLD PLATING: $\geq 0.75\mu\text{m}$
 WIRE RANGE: 0.08-0.52 mm² (28-20 AWG)
 OPERATION TEMPERATURE: -40-+125°C

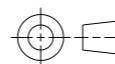
注释:

- 1. 技术参数:
 公针材料: 黄铜
 表面电镀:
 镀银: $\geq 2\mu\text{m}$
 镀金: $\geq 0.75\mu\text{m}$
 接线范围: 0.08-0.52 mm² (28-20 AWG)
 工作温度: -40-+125°C

-	PART NUMBER AFTER PLATING 电镀后料号				ϕd	WIRE GAUGE 线规		STRIPPING LENGTH 剥线长度 (mm)
	SILVER PLATING 镀银		GOLD PLATING 镀金			MM ²	AWG	
PIN CONTACT 公针	CAM-08	T2070001008-000	DAM-08	T2070011008-000	0.7	0.08-0.21	28-24	4.0
	CAM-13	T2070001013-000	DAM-13	T2070011013-000	0.9	0.13-0.33	26-22	
	CAM-33	T2070001033-000	DAM-33	T2070011033-000	1.12	0.33-0.52	22-20	

THIS DRAWING IS A CONTROLLED DOCUMENT.

DIMENSIONS:
mm



TOLERANCES UNLESS OTHERWISE SPECIFIED:

0 PLC	±-
1 PLC	±-
2 PLC	±-
3 PLC	±-
4 PLC	±-
ANGLES	±-

MATERIAL

FINISH

DWN 15MAY2015

David Wang

CHK 15MAY2015

Chris Wang

APVD 15MAY2015

Xiang Xu

PRODUCT SPEC

108-137064

APPLICATION SPEC

114-137064

WEIGHT

-

Customer Drawing



TE Connectivity

NAME

CAM/DAM
D-SUB PIN CONTACT

SIZE CAGE CODE DRAWING NO RESTRICTED TO

A3 00779 C-T20700X10XX000 -

SCALE 8:1 SHEET 1 OF 1 REV A1