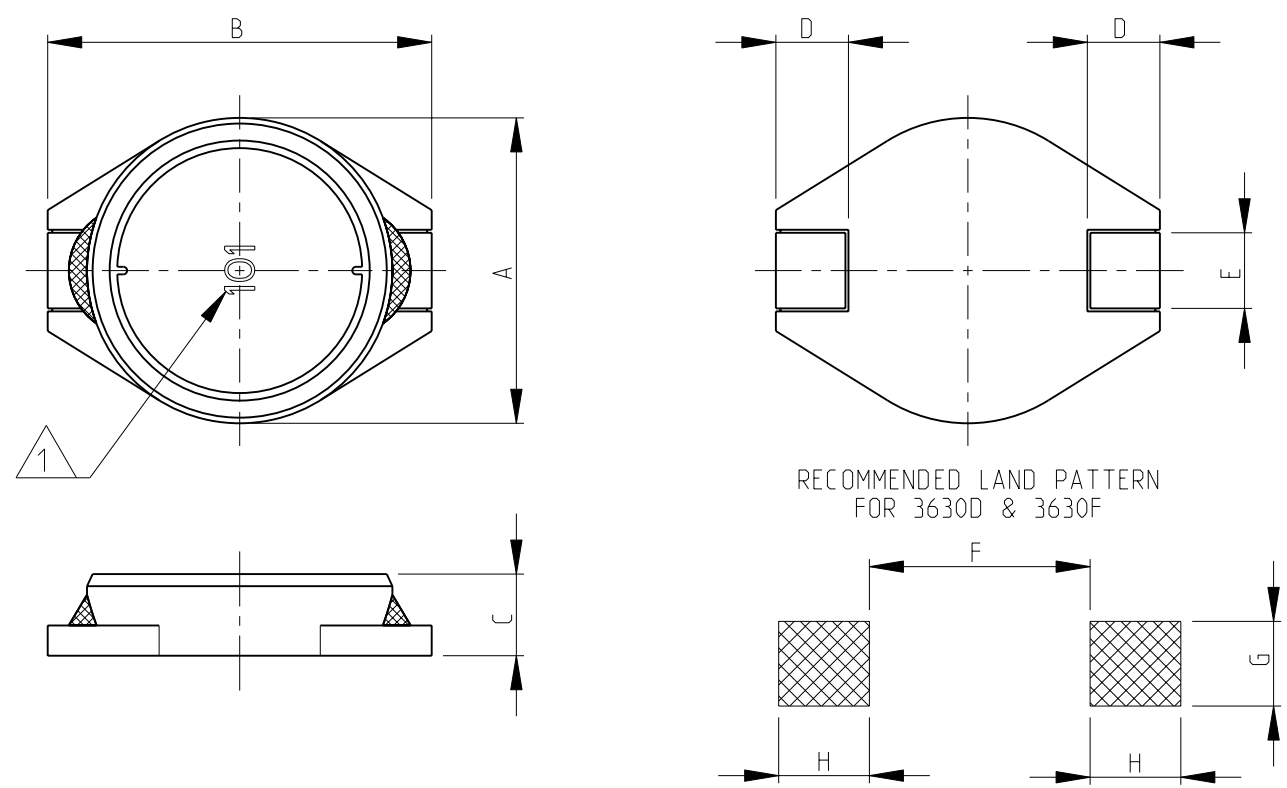


THIS DRAWING IS UNPUBLISHED. RELEASED FOR PUBLICATION 2008  
 © COPYRIGHT 2008 BY TYCO ELECTRONICS CORPORATION. ALL RIGHTS RESERVED.

LOC		DIST		REVISIONS				
P	LTR	DESCRIPTION			DATE	DWN	APVD	
E	B	BA	NEW RELEASE			14-NOV-08	SM	St.P

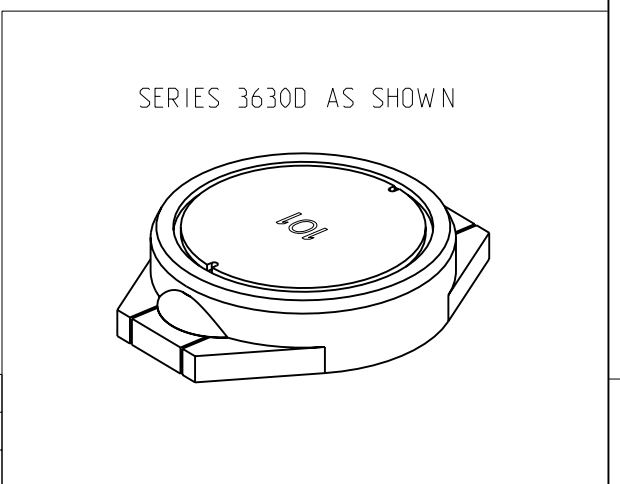
SERIES 3630D & 3630F AS SHOWN



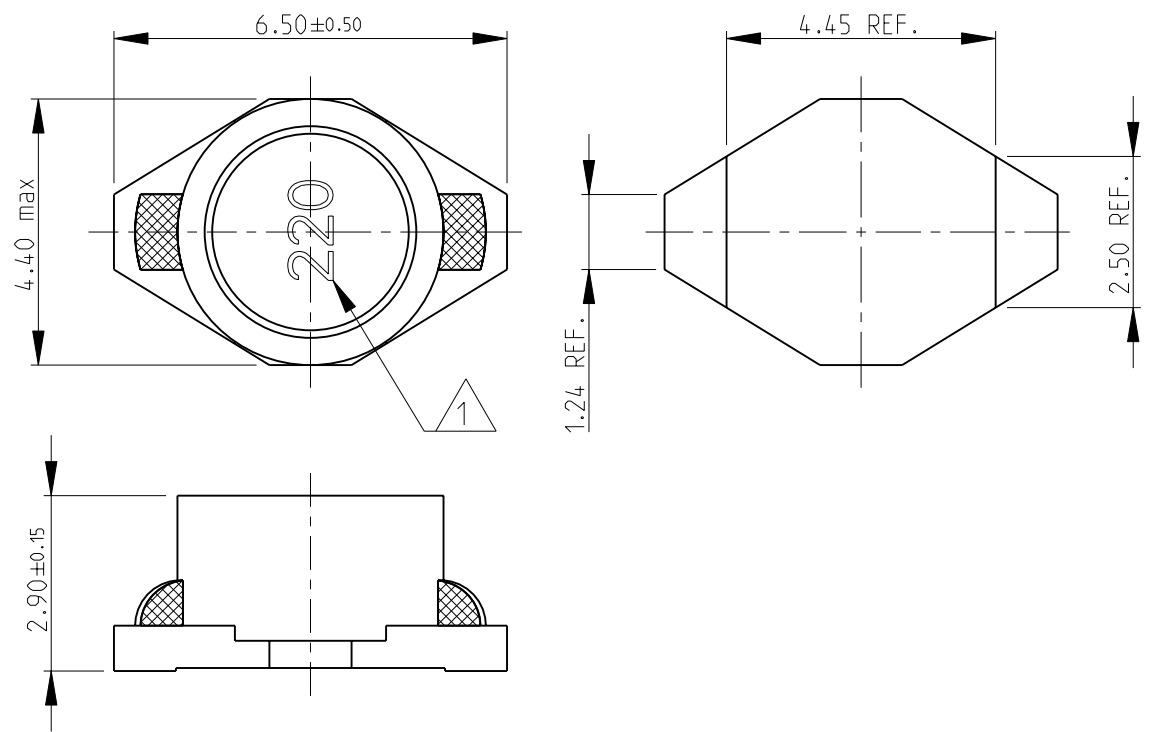
1 INDUCTANCE CODE  
 2 FOR FURTHER INFORMATION SEE DATA SHEET FOR 3621 SERIES-POWER INDUCTORS

RoHS Compliant

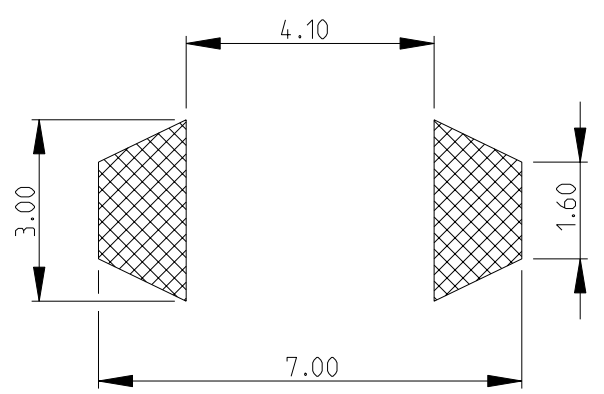
3630F	14.0±0.5	18.3±0.5	6.8±0.3	2.5±0.2	2.6±0.2	12.7	2.9	3.2
3630D	10.1±0.2	12.7±0.2	2.7±0.3	2.4±0.2	2.5±0.2	7.3	2.8	3.0
SERIES	A	B	C	D	E	F (REF)	G (REF)	H (REF)



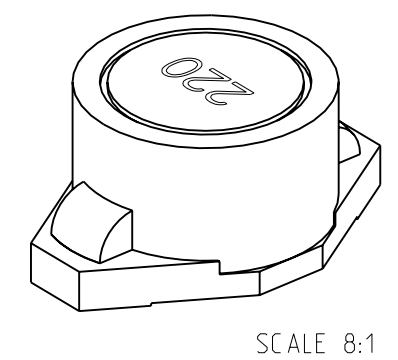
SCALE 8:1 SERIES 3630E AS SHOWN



RECOMMENDED LAND PATTERN FOR 3630E

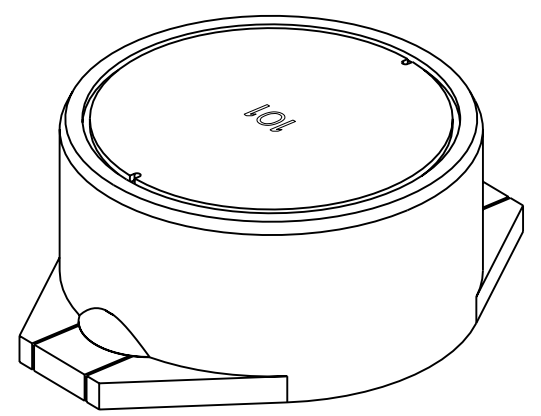


SERIES 3630E AS SHOWN



SCALE 8:1

SERIES 3630F AS SHOWN



THIS DRAWING IS A CONTROLLED DOCUMENT FOR TYCO ELECTRONICS CORPORATION IT IS SUBJECT TO CHANGE AND THE CONTROLLING ENGINEERING ORGANIZATION SHOULD BE CONTACTED FOR THE LATEST REVISION.

DIMENSIONS:		TOLERANCES UNLESS OTHERWISE SPECIFIED:	
mm		0 PLC	±0.2
		1 PLC	±0.1
		2 PLC	±
		3 PLC	±
		4 PLC	±
		ANGLES	±5°
MATERIAL	-	FINISH	-

DWN	SUBHASH.M	14-NOV-08
CHK	PRAKASH.S	14-NOV-08
APVD	STEPHEN.P	14-NOV-08
PRODUCT SPEC	-	-
APPLICATION SPEC	-	-
WEIGHT	-	-
CUSTOMER DRAWING		

Tyco Electronics Corporation Dorcan, Swindon, SN3 5HH		NAME	
SHIELDED SMD POWER INDUCTORS SERIES 3630			
SIZE	CAGE CODE	DRAWING NO	RESTRICTED TO
A3	00779	©-1676941	-
SCALE	SHEET	OF	REV
4:1	1	1	BA