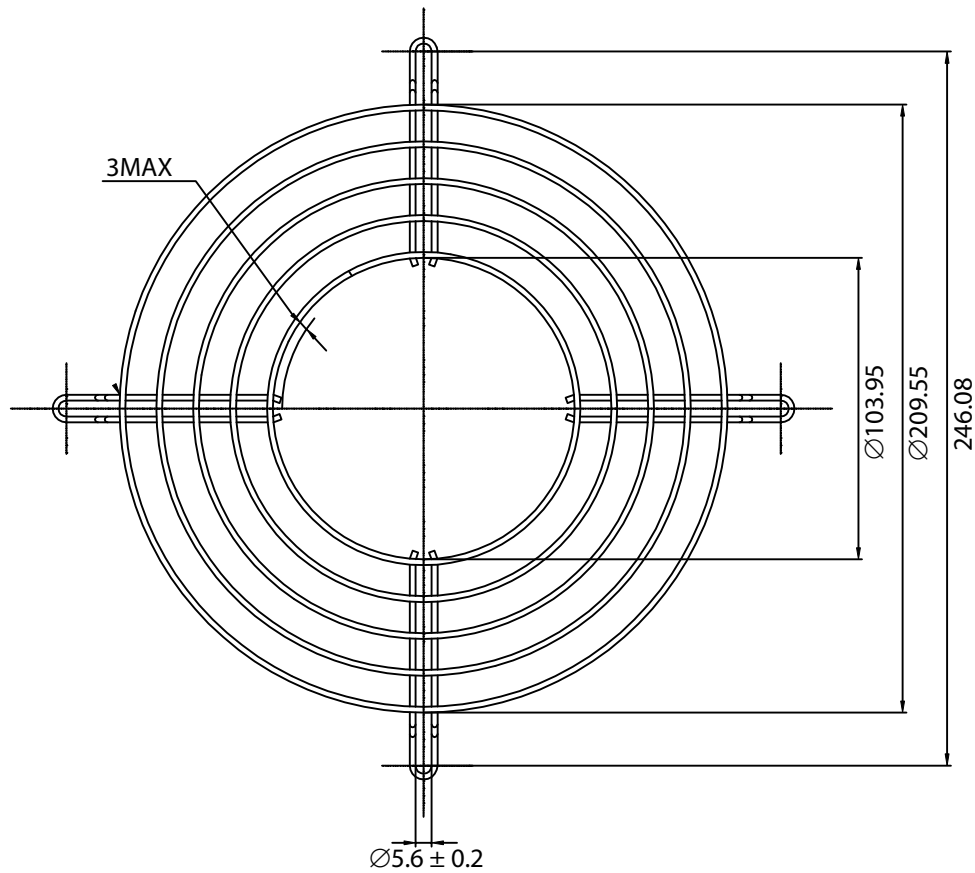


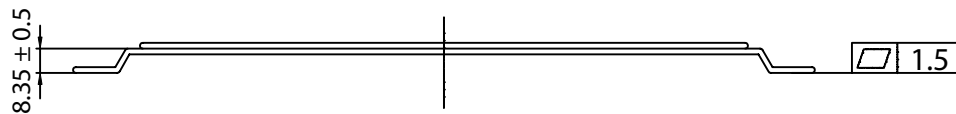
REVISION			
REV.	DESCRIPTION	DATE	APPROVED
A	RoHS Compliance	06-01-06	DP



NOTES:

1. MATERIAL: C1008 BRIGHT BASIC WIRE
2. FINISH: ZINC PLATING
3. 0.35 ± 0.05 DEPTH OF SERRATIONS ON WIRE
4. RING:  $\varnothing 2.0 \pm 0.1\text{mm}$   
RIB:  $\varnothing 2.0 \pm 0.1\text{mm}$
5. GENERAL TOLERANCE UNLESS NOTED IS  $\pm 0.76\text{mm}$
6. RoHS COMPLIANT

**CONTROLLED**



THESE DRAWINGS ARE THE PROPERTY OF QUALTEK ELECTRONICS AND NOT TO BE REPRODUCED FOR OR COMMUNICATED TO A THIRD PARTY WITHOUT THE EXPRESS WRITTEN PERMISSION OF AN OFFICER OF QUALTEK ELECTRONICS.

Dim range (mm)	Tolerance +/- (mm)	Qualtek Electronics Corp. FAN-S DIVISION		
		Part Number: 08154-01		RoHS Compliant
0-5	0.1	Description: WIRE FORM FAN GUARD (254mm)		
5-16	0.15			
16-64	0.2			
64-250	0.4			
250-1000	0.5			
1000-1500	1.0			
		UNIT: mm	REV: A	
		Drawn / Date	Checked / Date	Approved / Date
		B.ZHANG 11-17-03	11-17-03	JJH / 11-17-03

# Mouser Electronics

Authorized Distributor

Click to View Pricing, Inventory, Delivery & Lifecycle Information:

[Qualtek:](#)

[08154](#)