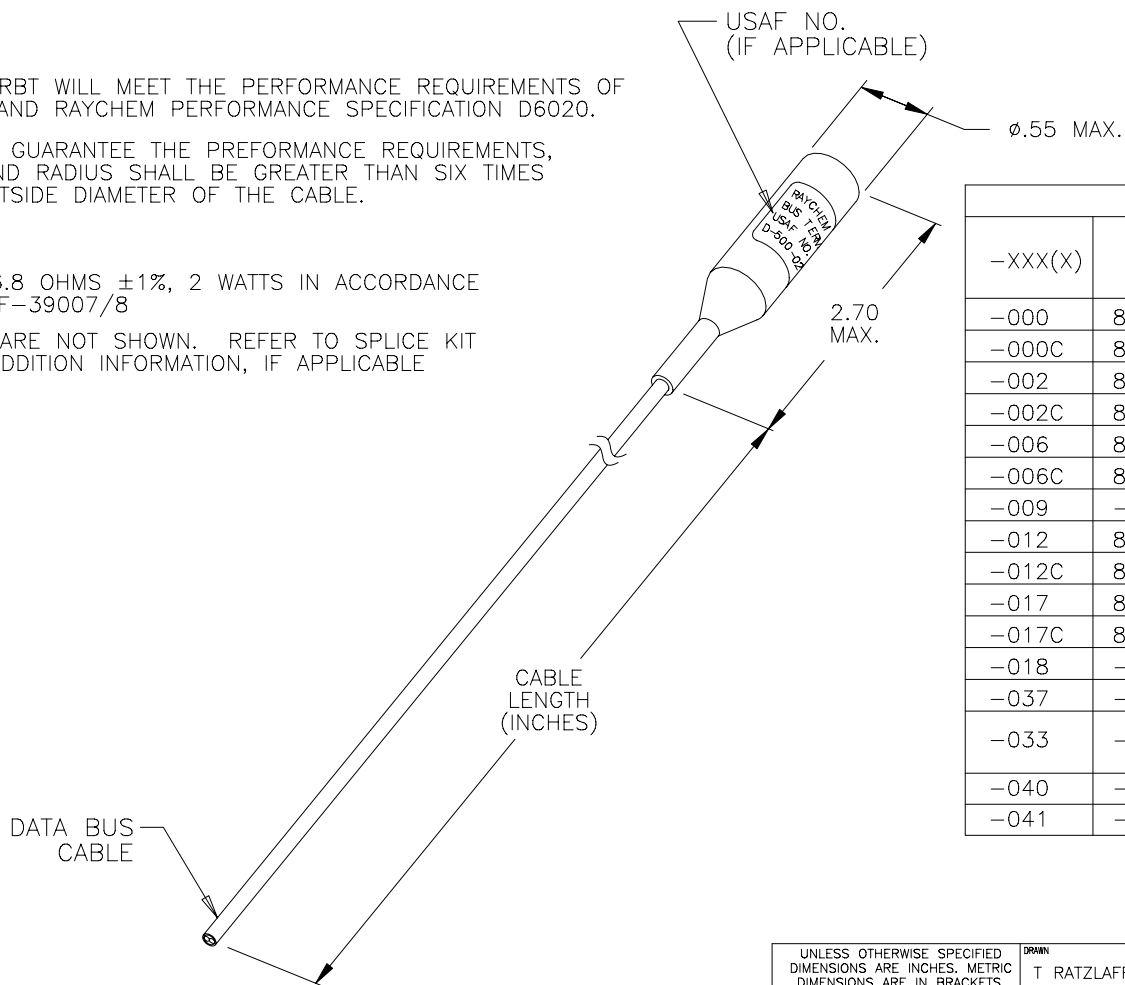


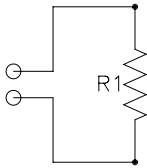
REVISION		DATE
REV	DESCRIPTION	
G	REVISED PER DCR NUMBER T31612	28JAN2003

NOTES:

- BUS TERMINATORS ARE DESIGNED TO BE SPLICED TO MIL-STD-1553B DATABUS CABLES.
- PERFORMANCE
THE TERMINATED RBT WILL MEET THE PERFORMANCE REQUIREMENTS OF MIL-STD-1553B AND RAYCHEM PERFORMANCE SPECIFICATION D6020.
- BEND RADIUS: TO GUARANTEE THE PERFORMANCE REQUIREMENTS, THE MINIMUM BEND RADIUS SHALL BE GREATER THAN SIX TIMES THE MAXIMUM OUTSIDE DIAMETER OF THE CABLE.
- MATERIALS
 - RESISTOR: 76.8 OHMS ±1%, 2 WATTS IN ACCORDANCE WITH MIL-PRF-39007/8
 - SPLICE KITS ARE NOT SHOWN. REFER TO SPLICE KIT SCD'S FOR ADDITION INFORMATION, IF APPLICABLE



TABULATION				
-XXX(X)	USAF NO.	CABLE NO.	MIN. CABLE LENGTH	SPLICE KIT
-000	8421503-AO-01	10602	12.0	D-150-0708-1
-000C	8421503-AO-02	10602	12.0	D-150-0708-3
-002	8421503-BO-01	10605	12.0	D-150-0708-1
-002C	8421503-BO-02	10605	12.0	D-150-0708-3
-006	8421503-EO-01	10614	12.0	D-150-0708-2
-006C	8421503-EO-02	10614	12.0	D-150-0708-4
-009	-----	10602	72.0	D-150-0124
-012	8421503-DO-01	10613	12.0	D-150-0708-2
-012C	8421503-DO-02	10613	12.0	D-150-0708-4
-017	8421503-CO-01	10612	12.0	D-150-0708-1
-017C	8421503-CO-02	10612	12.0	D-150-0708-3
-018	-----	10613	18.0	D-150-0708-2
-037	-----	10606	12.0	D-150-0124
-033	-----	EPD 30653Q	15.0	-----
-040	-----	10613	12.0	-----
-041	-----	10613	14.5	-----



ELECTRICAL SCHEMATIC

If this document is printed it becomes uncontrolled. Check for the latest revision.

SPECIFICATION CONTROL DRAWING			
UNLESS OTHERWISE SPECIFIED DIMENSIONS ARE INCHES. METRIC DIMENSIONS ARE IN BRACKETS.	DRN T RATZLAFF	DATE 28JAN2003	tyco /Electronics RAYCHEM PRODUCTS 305 CONSTITUTION DRIVE MENLO PARK, CALIFORNIA 94025
DECIMAL TOLERANCES .XXX ± 0.005 [0.13 mm] .XX ± 0.010 [0.25 mm] .X ± 0.020 [0.50 mm]	MATERIAL	TITLE DATABUS TERMINATOR	
ANGLE TOLERANCE .X ± 0.5 DEG.	FINISH	SIZE B	CODE IDENT. NO. 06090
WEIGHT, MAX (WITHOUT CABLE) LBS. 0.013 [6.0 gm]	THIRD ANGLE PROJECTION	DWG. NO. D-500-0263-XXX(X)	
CAD FILE T31612.DWG	DO NOT SCALE THIS DRAWING		SHEET 1 OF 1