

PART NAME: KNOB SCALE: 1:1 DATE: 12/16/53 DR. BY JC

THIS DRAWING IS THE PROPERTY OF DAVIES MOLDING COMPANY, IS SUBMITTED SOLELY AS A DESIGN OR ENGINEERING PROJECT. WE ACCEPT NO RESPONSIBILITY WHATSOEVER FOR THE PRACTICAL APPLICATION OF THE PIECES MADE TO THIS DESIGN.

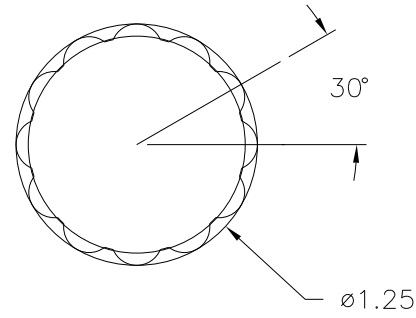


DESIGNERS & MANUFACTURERS OF KNOBS, HANDLES, CASES & CUSTOM PLASTIC COMPONENTS

P/N 3008BG

M NO. 3008

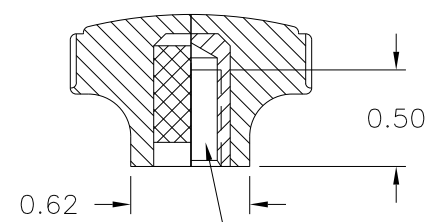
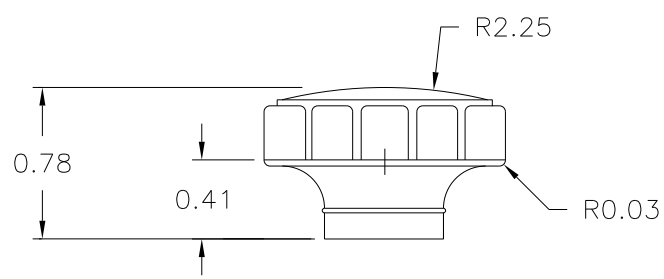
CAD/REDRAWN : 5/20/94 : HD



ⓑ

ⓒ

CAV.	3008
PLUNGER	3008
PIN	3008-29
SHIMS	3008-A+B
INSERT	10528
LEG SHIMS	1/32



5/16-18 UNC-2B THD'D.
INSERT 10528, H.H.BRASS

MATERIAL: G.P. PHENOLIC (B11)
COLOR: BLACK

TOLERANCES: UNLESS OTHERWISE SPECIFIED	DO NOT SCALE DRAWING				
DECIMALS: X.XXX ± .005 X.XX ± .015	MM: X.XX ± 0.15MM X.X ± 0.4MM	C	WAS 3/4 HGT.KNOB, LEG SHIM ADDED	HD	10/7/83
		B	WAS 3008-28 PIN, WAS 1-78	NH	8/13/74
FRACTIONS ± 1/64	ANG. ± 1°	CHANGES			