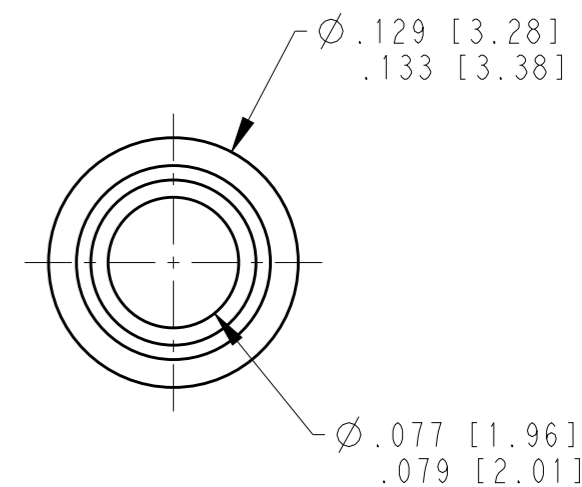
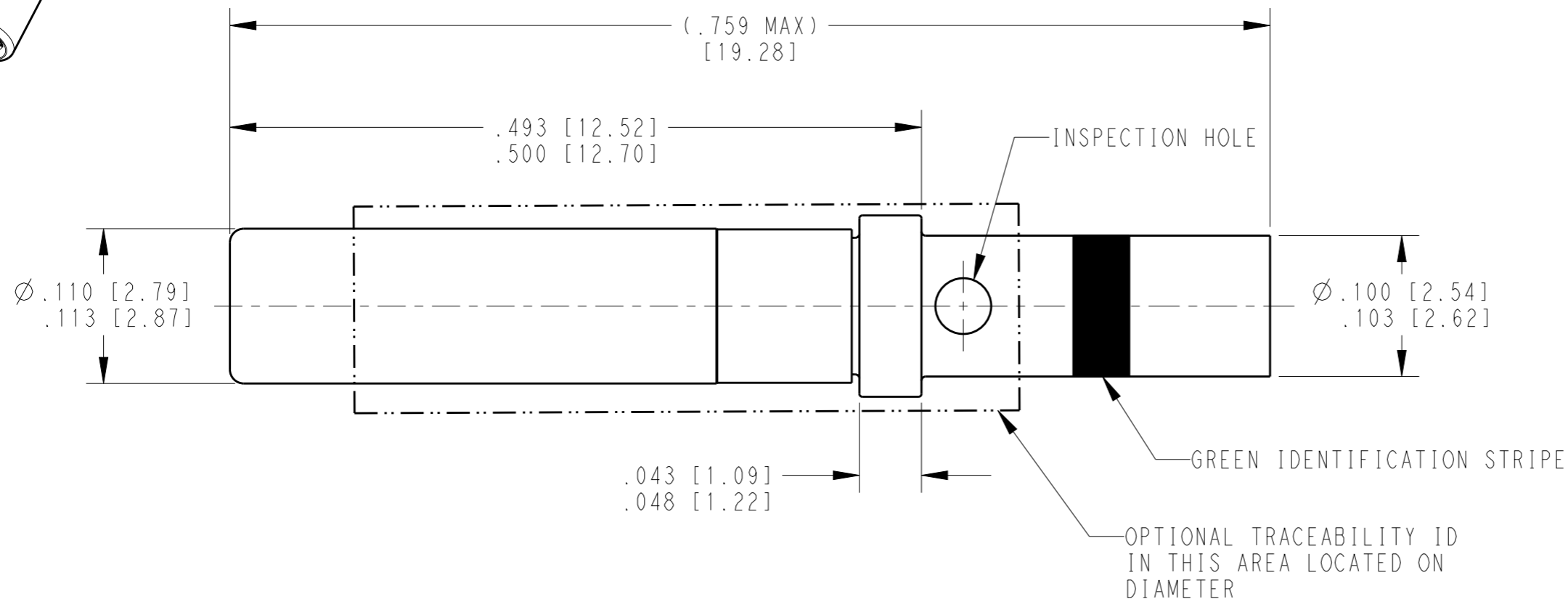
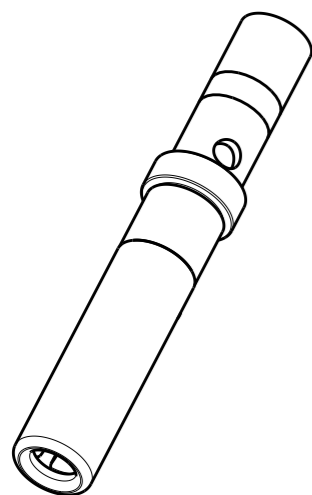


THIS DRAWING IS UNPUBLISHED  
RELEASED FOR PUBLICATION 2018  
© COPYRIGHT 1994 BY TE CONNECTIVITY ALL RIGHTS RESERVED.

REVISIONS

P	LTR	DESCRIPTION	DATE	DWN	APVD
	NC	NEW RELEASE PER E.O. A14776	13DEC1994	DS	RDR
	A	REVISED PER E.O. P15649	16JUN1998	JW	RDR
	B	REVISED PER E.O P16308	04OCT1999	DS	DM
	C	REVISED PER PCN E-18-001206	24JAN2018	JA	DM



TE INTERNAL PN	DEUTSCH PN	PLATING
0462-209-16141	0462-209-16141	NICKEL
0462-209-1631	0462-209-1631	GOLD

NOTES:  
1. WIRE RANGE: 14 AWG [2.0 mm<sup>2</sup>].

THIS DRAWING IS A CONTROLLED DOCUMENT.		DWN D. SPENCER 02OCT1999														
DIMENSIONS: INCHES [mm]		CHK M. GONZALES 04OCT1999														
TOLERANCES UNLESS OTHERWISE SPECIFIED:		APVD R. REED 04OCT1999	NAME CONTACT SOCKET SIZE 16													
<table border="0"> <tr><td>0 PLC</td><td>±</td></tr> <tr><td>1 PLC</td><td>±</td></tr> <tr><td>2 PLC</td><td>±</td></tr> <tr><td>3 PLC</td><td>±</td></tr> <tr><td>4 PLC</td><td>±</td></tr> <tr><td>ANGLES</td><td>±</td></tr> </table>		0 PLC	±	1 PLC	±	2 PLC	±	3 PLC	±	4 PLC	±	ANGLES	±	PRODUCT SPEC 0425-015-0000	SIZE A3	
0 PLC	±															
1 PLC	±															
2 PLC	±															
3 PLC	±															
4 PLC	±															
ANGLES	±															
MATERIAL		APPLICATION SPEC 0425-205-0000	CAGE CODE 4AFU8	DRAWING NO 0462-209-16XX												
FINISH		WEIGHT 0.60g	RESTRICTED TO -													
CUSTOMER DRAWING			SCALE 10:1	SHEET 1 OF 1												
			REV C													