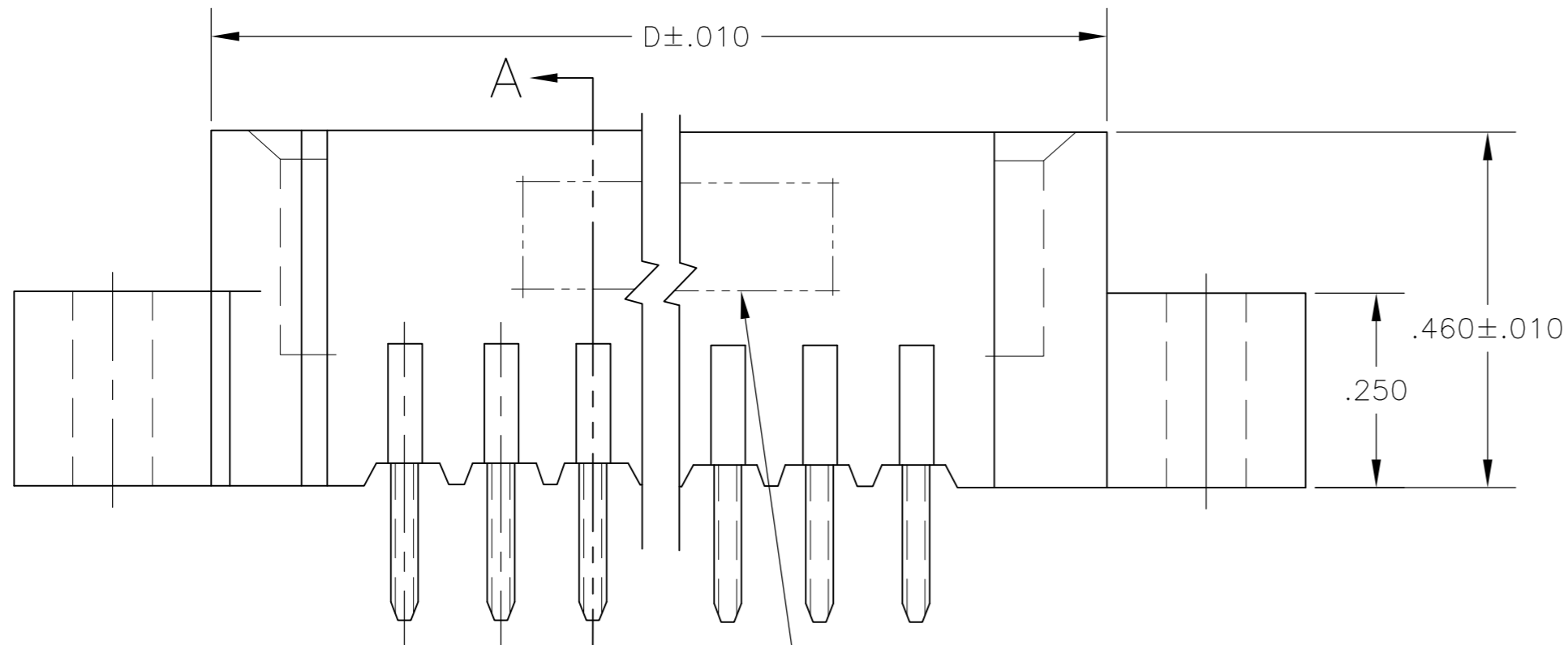
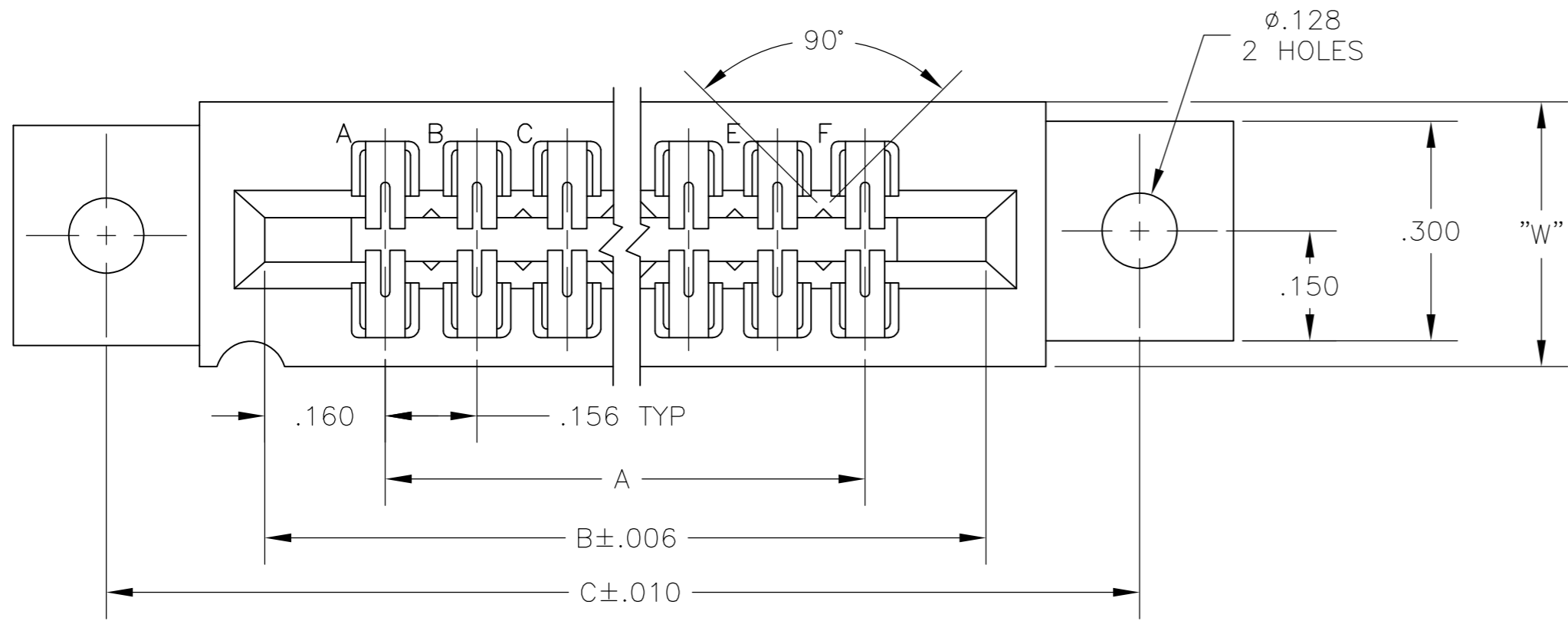
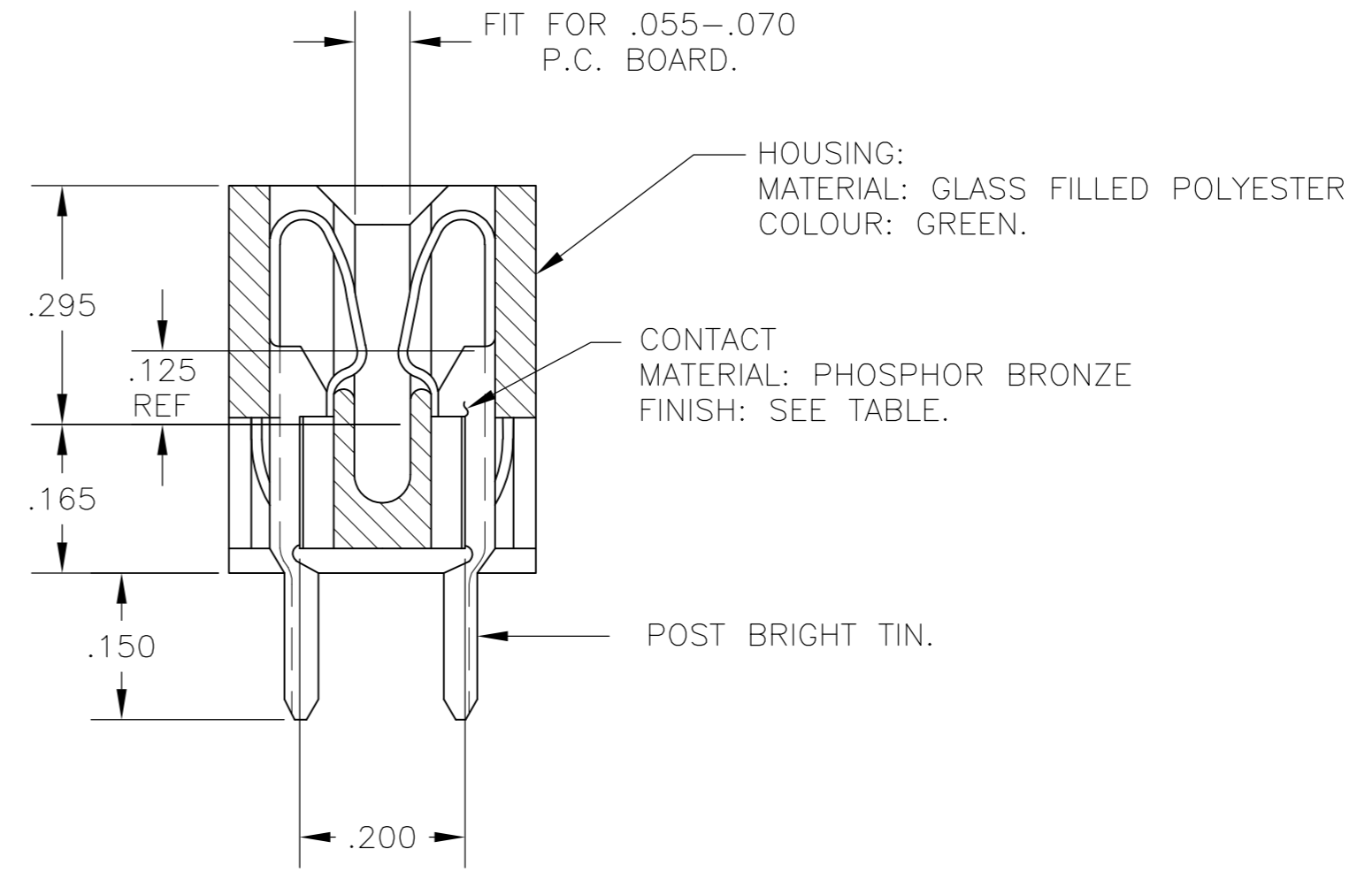


THIS DRAWING IS UNPUBLISHED. RELEASED FOR PUBLICATION
 © COPYRIGHT - By - ALL RIGHTS RESERVED.

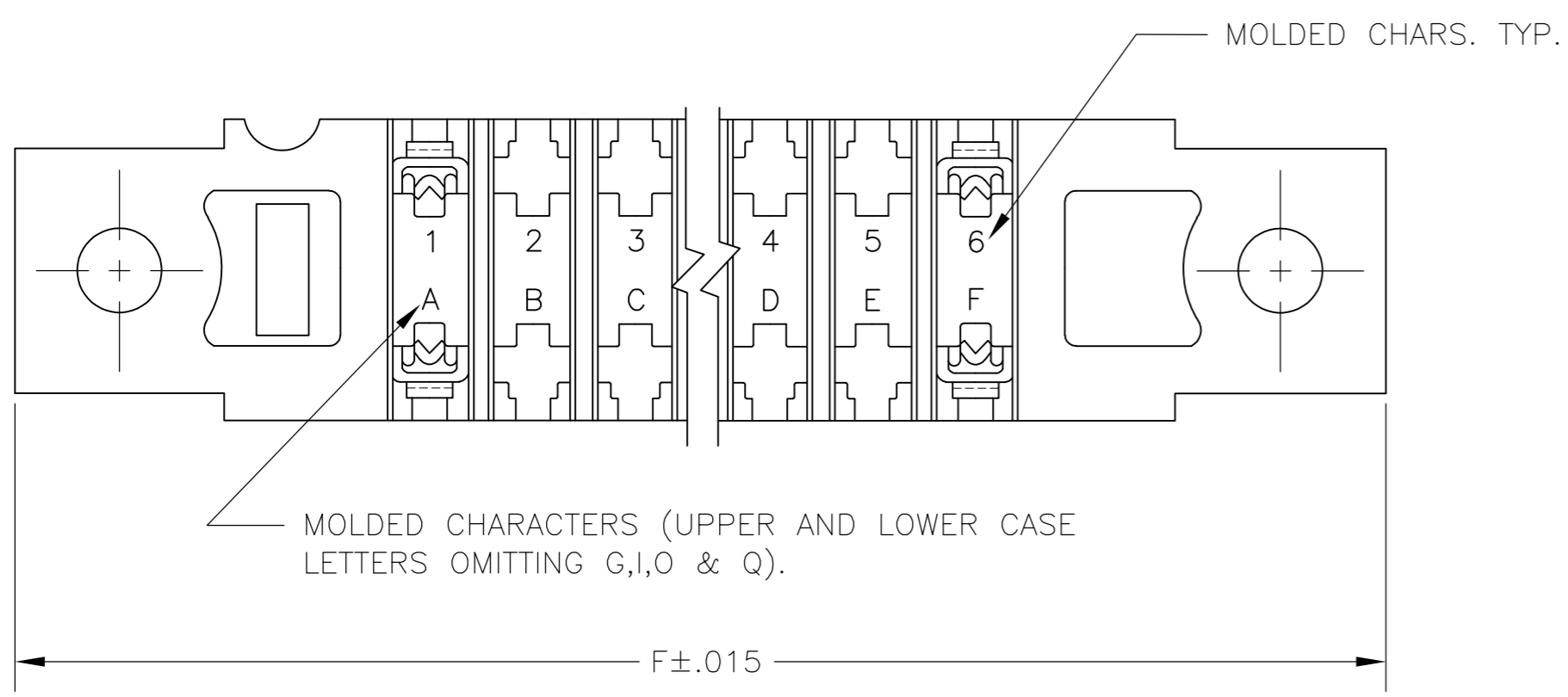
LOC		DIST		REVISIONS			
P	LTR	DESCRIPTION	DATE	DWN	APVD		
AD	00	M3	REVISED PER ECO-14-005916	22APR2014	NK	MM	



"AMP" PART NO & DATE CODE
 INK STAMPED WHITE OR
 HOT STAMP (NO WHITE TAPE)
 IN THIS AREA (SIDE OPTIONAL)



SECTION A-A



THIS DRAWING IS A CONTROLLED DOCUMENT.		DWN	19MAR75		TE Connectivity		
DIMENSIONS: INCHES		CHK	20MAR75		NAME		
		APVD	20MAR75		HOUSING ASSY, LOW PROFILE, EDGE CONNECTOR, FLOW SOLDER, FOR .052 DIA. HOLE, .156X.200 CENTERS.		
TOLERANCES UNLESS OTHERWISE SPECIFIED:		PRODUCT SPEC		SIZE	CAGE CODE	DRAWING NO	RESTRICTED TO
0 PLC ± -		APPLICATION SPEC		A2	00779	C=530655	-
1 PLC ± -		WEIGHT		SCALE 4:1			SHEET 1 of 2
2 PLC ± -		CUSTOMER DRAWING		REV M3			
3 PLC ± .005							
4 PLC ± -							
5 ANGLE ± -							
6 FINISH							
SEE CALL-OUT							

THIS DRAWING IS UNPUBLISHED. RELEASED FOR PUBLICATION
 © COPYRIGHT - By - ALL RIGHTS RESERVED.


LOC		DIST		REVISIONS			
P	LTR	DESCRIPTION	DATE	DWN	APVD		
AD	00						
		SEE SHEET 1					

- ① .000015 MIN GOLD OVER .000050 MIN. NICKEL IN CONTACT AREA.
- ② .000030 MIN GOLD OVER .00005 MIN. NICKEL IN CONTACT AREA.
- ③ SELECTIVELY LOADED, OMIT CONTACTS IN CIRCUIT CAVITIES 14,16,18,S AND U
- ④ ALL PARTS ASSEMBLED IN MEXICO MUST BE STAMPED "ASSY IN MEXICO" THE WORD "MEXICO" CAN BE SUBSTITUTED ONLY WHERE PART SIZE PROHIBTS STAMPING "ASSY IN MEXICO", INK STAMP COLOUR WHITE OR HOT STAMP (NO WHITE TAPE) 115-9009, APPROX. WHERE SHOWN, SIDE OPTIONAL.
- ⑤ MATTE TIN PLATED CONTACT TAILS.
- ⑥ OBSOLETE PARTS: OBSOLETE CIS STREAMLINING PER D.RENAUD/D.SINISI

⑤										⑥	
⑤	-	43	6.552	6.872	7.307	7.012	.437	7.557	⑥	8-530655-3	
⑤	-	28	4.212	4.532	4.967	4.672	.370	5.217	⑥	8-530655-2	
⑤	-	36	5.460	5.780	6.215	5.920	.437	6.465	⑥	8-530655-0	
⑤	-	30	4.524	4.844	5.279	4.984	.437	5.529		7-530655-9	
⑤	-	22	3.276	3.596	4.031	3.736	.370	4.281		7-530655-6	
⑤	-	18	2.652	2.972	3.407	3.112	.370	3.657		7-530655-5	
⑤	-	15	2.184	2.504	2.939	2.644	.370	3.189		7-530655-4	
⑤	-	12	1.716	2.036	2.471	2.176	.370	2.721		7-530655-3	
⑤	-	10	1.404	1.724	2.159	1.864	.370	2.409		7-530655-2	
⑤	-	6	.780	1.100	1.535	1.240	.370	1.785		7-530655-1	
	-	18	2.652	2.972	3.407	3.112	.370	3.657		3-530655-4	
	1-530655-3	43	6.552	6.872	7.307	7.012	.437	7.557		3-530655-3	
	1-530655-2	28	4.212	4.532	4.967	4.672	.370	5.217		3-530655-2	
	1-530655-1	44	6.708	7.028	7.463	7.168	.437	7.713		3-530655-1	
	1-530655-0	36	5.460	5.780	6.215	5.920	.437	6.465		3-530655-0	
	530655-9	30	4.524	4.844	5.279	4.984	.437	5.529	⑥	2-530655-9	
	530655-8	25	3.744	4.064	4.499	4.204	.370	4.749		2-530655-8	
	530655-7	24	3.588	3.908	4.343	4.048		4.593		2-530655-7	
	530655-6	22	3.276	3.596	4.031	3.736		4.281		2-530655-6	
	530655-5	18	2.652	2.972	3.407	3.112		3.657		2-530655-5	
	530655-4	15	2.184	2.504	2.939	2.644		3.189		2-530655-4	
	530655-3	12	1.716	2.036	2.471	2.176		2.721		2-530655-3	
	530655-2	10	1.404	1.724	2.159	1.864		2.409		2-530655-2	
	530655-1	6	.780	1.100	1.535	1.240		1.785		2-530655-1	
① PART NO	NO.OF. POSITION	A	B	C	D	W	F	② PART NO			

OBSOLETE

THIS DRAWING IS A CONTROLLED DOCUMENT.

DWN	19MAR75	 TE Connectivity	HOUSING ASSY, LOW PROFILE, EDGE CONNECTOR, FLOW SOLDER, FOR .052 DIA. HOLE .156X.200 CTRS.
CHK	20MAR75		
APVD	20MAR75		
NAME			
DIMENSIONS: INCHES		PRODUCT SPEC	SIZE
TOLERANCES UNLESS OTHERWISE SPECIFIED:		APPLICATION SPEC	CAGE CODE
0 PLC ± -			DRAWING NO
1 PLC ± -			RESTRICTED TO
2 PLC ± -			
3 PLC ± -			
4 PLC ± -			
ANGLES ± -			
MATERIAL	FINISH	WEIGHT	SCALE
SEE CALL-OUT	SEE CALL-OUT		1:1
		CUSTOMER DRAWING	SHEET
			2 of 2
			REV
			M3