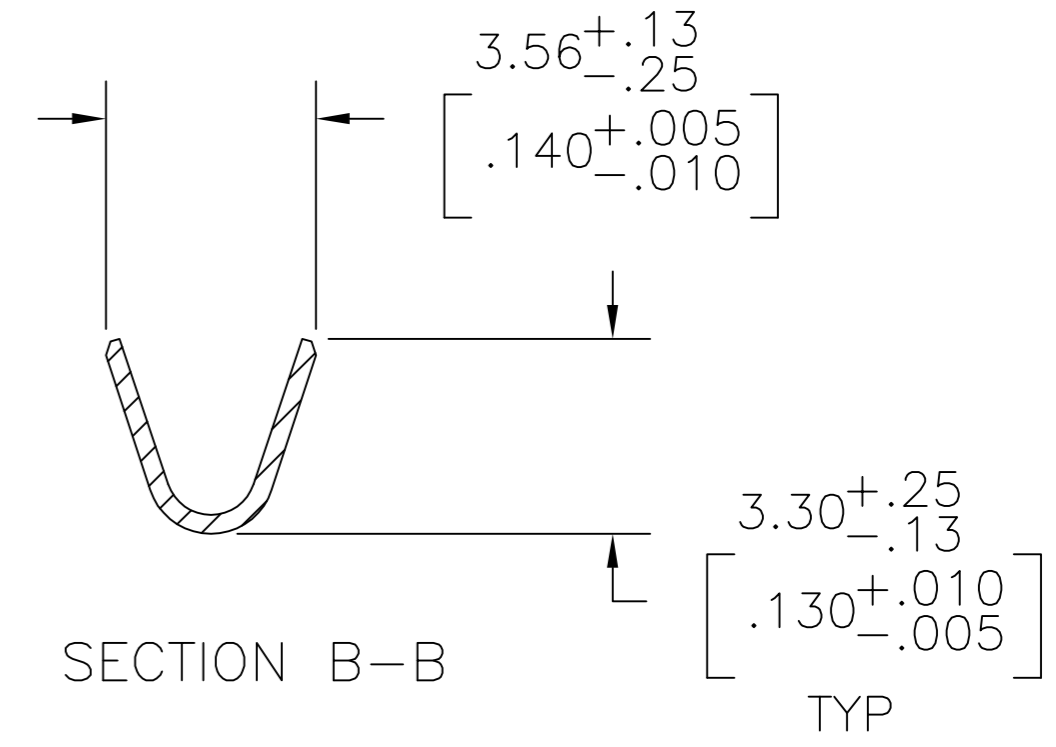
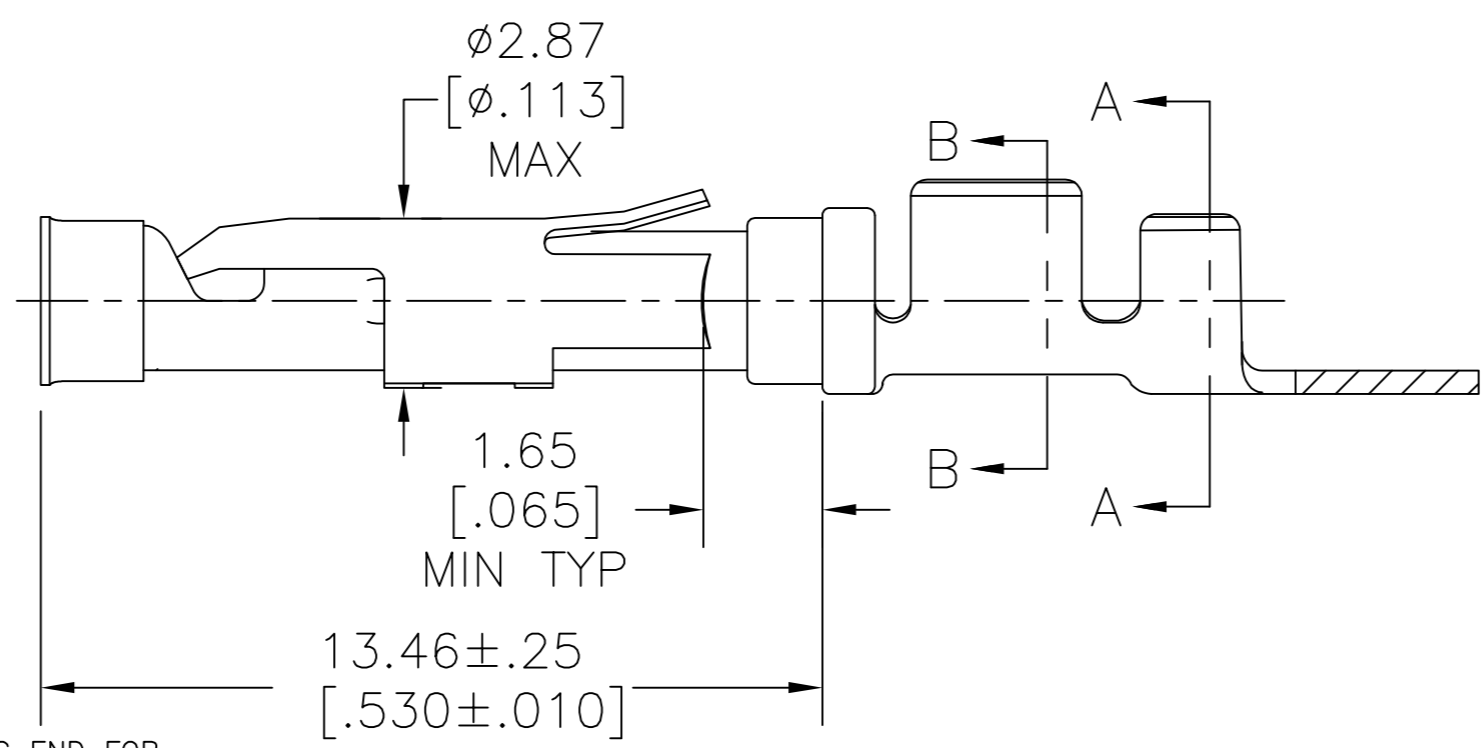
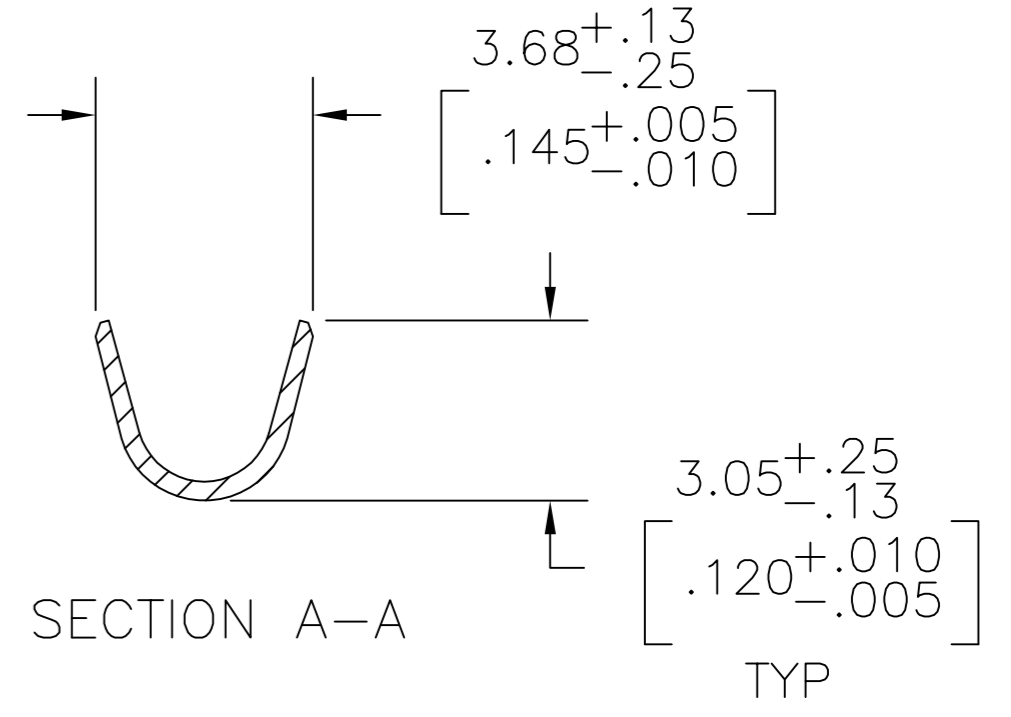
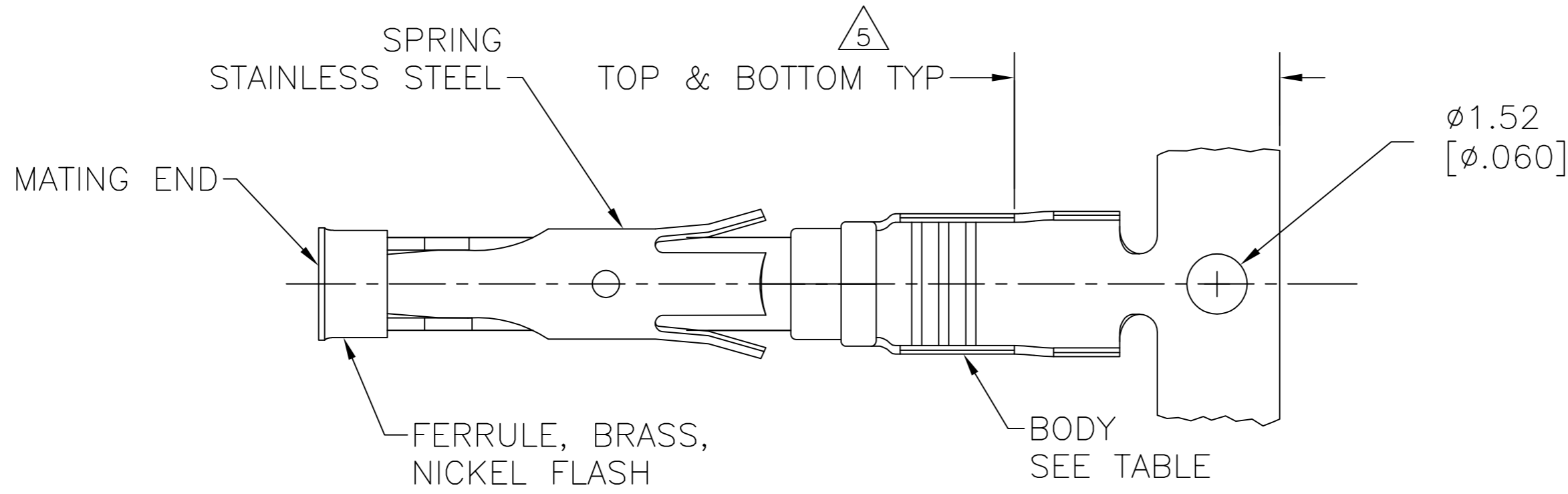


THIS DRAWING IS UNPUBLISHED. RELEASED FOR PUBLICATION  
 © COPYRIGHT - By - ALL RIGHTS RESERVED.

REVISIONS					
P	LTR	DESCRIPTION	DATE	DWN	APVD
AG		REVISED PER ECO-12-012320	04JUL12	KH	MZ
AH		REVISED PER ECO-16-017885	06OCT2017	RS	MZ



$\phi 1.689 \pm .050$   
 $[\phi .0665 \pm .0020]$

- 1 0.76 $\mu\text{m}$  [.000030] MIN GOLD PER MIL-G-45204 ON MATING END FOR A LENGTH OF 5.08 [.200] MIN WITH GOLD FLASH ON THE REMAINDER OVER 0.76 $\mu\text{m}$  [.000030] MIN NICKEL PER QQ-N-290.
- 2 1.27 $\mu\text{m}$  [.000050] MIN TIN-LEAD PER MIL-T-10727 OVER 0.76 $\mu\text{m}$  [.000030] MIN NICKEL PER QQ-N-290.
- 3 0.76 $\mu\text{m}$  [.000030] MIN GOLD PER MIL-G-45204 ON MATING END FOR A LENGTH OF 5.08 [.200] MIN WITH A UNIFORM GRADIENT TO 0.25[.000010] MIN GOLD PER MIL-G-45204 ON THE REMAINDER OVER 0.76 $\mu\text{m}$  [.000030] MIN NICKEL PER QQ-N-290.
- 4 0.38 $\mu\text{m}$  [.000015] MIN GOLD PER MIL-G-45204 ON MATING END FOR A LENGTH OF 5.08 [.200] MIN WITH 1.27 $\mu\text{m}$  [.000050] MIN MATTE TIN PLATE IN WIRE CRIMP AREA, BOTH OVER 0.76 $\mu\text{m}$  [.000030] MIN NICKEL PER QQ-N-290.
- 5 GOLD PLATING NEED NOT APPEAR IN THIS AREA.
- 6 REVERSE REELED FOR MINI-APPLICATOR.
- 7 WIRE RANGE 18-16 AWG. INSULATION RANGE 2.03[.080]-2.54[.100].
- 8 0.38 $\mu\text{m}$  [.000015] MIN GOLD PER MIL-G-45204 ON MATING END FOR A LENGTH OF 5.08 [.200] MIN, 1.27 $\mu\text{m}$  [.000050] MIN TIN-LEAD PER MIL-T-10727 FOR A LENGTH OF 5.69 [.224] MIN ON OPPOSITE END, BOTH OVER 1.27 $\mu\text{m}$  [.000050] MIN NICKEL PER QQ-N-290 ON ENTIRE CONTACT.
- 9 1.27 $\mu\text{m}$  [.000050] MIN TIN PER MIL-T-10727 OVER 0.6 $\mu\text{m}$  [.000030] MIN NICKEL PER QQ-N-290.
- 10 2.54 $\mu\text{m}$  [.000100] MIN SILVER OVER 0.76 $\mu\text{m}$  [.000030] MIN NICKEL PER QQ-N-290.
- 11 OBSOLETE PARTS: OBSOLETE CIS STREAMLINING PER D.RENAUD/D.SINISI
- 12 0.76 $\mu\text{m}$  [.000030] MIN GOLD PER MIL-G-45204 ON MATING END FOR A LENGTH OF 5.08 [.200] MIN WITH 1.27 $\mu\text{m}$  [.000050] MIN MATTE TIN PLATE IN WIRE CRIMP AREA, BOTH OVER 0.76 $\mu\text{m}$  [.000030] MIN NICKEL PER QQ-N-290.

REELING	BODY FINISH	BODY MATERIAL	LOOSE PIECE REF	PART NO.
		BRASS	-	2-66358-3
		BRASS	-	<del>2-66358-2</del>
		CU-NI ALLOY	1-66360-6	2-66358-1
		CU-NI ALLOY	1-66360-5	2-66358-0
		CU-NI ALLOY	1-66360-4	1-66358-9
		PHOSPHOR BRONZE	-	1-66358-8
		BRASS	1-66360-2	1-66358-7
		BRASS	1-66360-2	1-66358-6
		BRASS	66360-9	1-66358-5
		BRASS	-	<del>1-66358-4</del>
		PHOSPHOR BRONZE	66360-8	1-66358-3
		PHOSPHOR BRONZE	<del>66360-7</del>	1-66358-2
		BRASS	66360-4	1-66358-0
		BRASS	66360-3	66358-9
		BRASS	66360-2	66358-6
		BRASS	66360-1	66358-5
		BRASS	66360-4	66358-4
		BRASS	66360-3	66358-3
		BRASS	66360-2	66358-2
		BRASS	66360-1	66358-1

THIS DRAWING IS A CONTROLLED DOCUMENT.

DWN V. FURLER 23JUL2003  
 CHK G. STEINHAUER 23JUL03  
 APVD G. STEINHAUER 23JUL03

TE Connectivity

NAME: SOCKET ASSEMBLY, .062, TYPE III+

SIZE: A2 CAGE CODE: 00779 DRAWING NO: C=66358 RESTRICTED TO: -

MATERIAL: SEE CALLOUTS FINISH: SEE CALLOUTS WEIGHT: - SCALE: 8:1 SHEET: 1 of 1 REV: AH

CUSTOMER DRAWING