

6 5 4 3 2 1

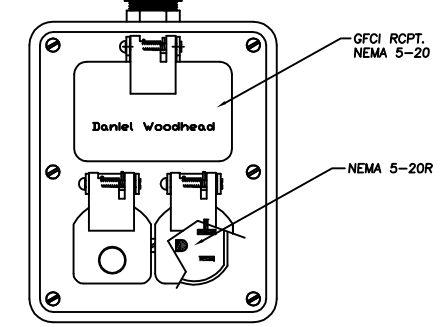
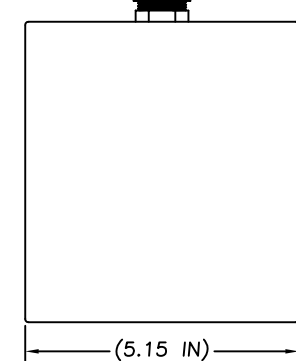
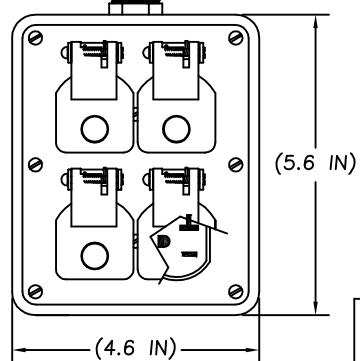
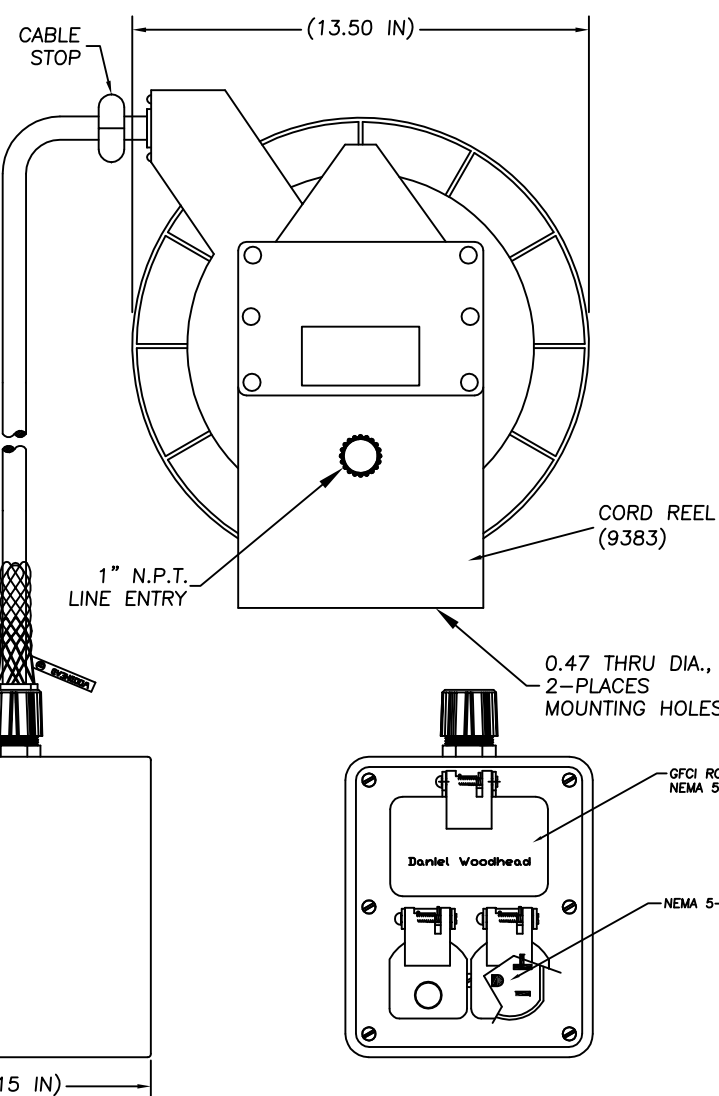
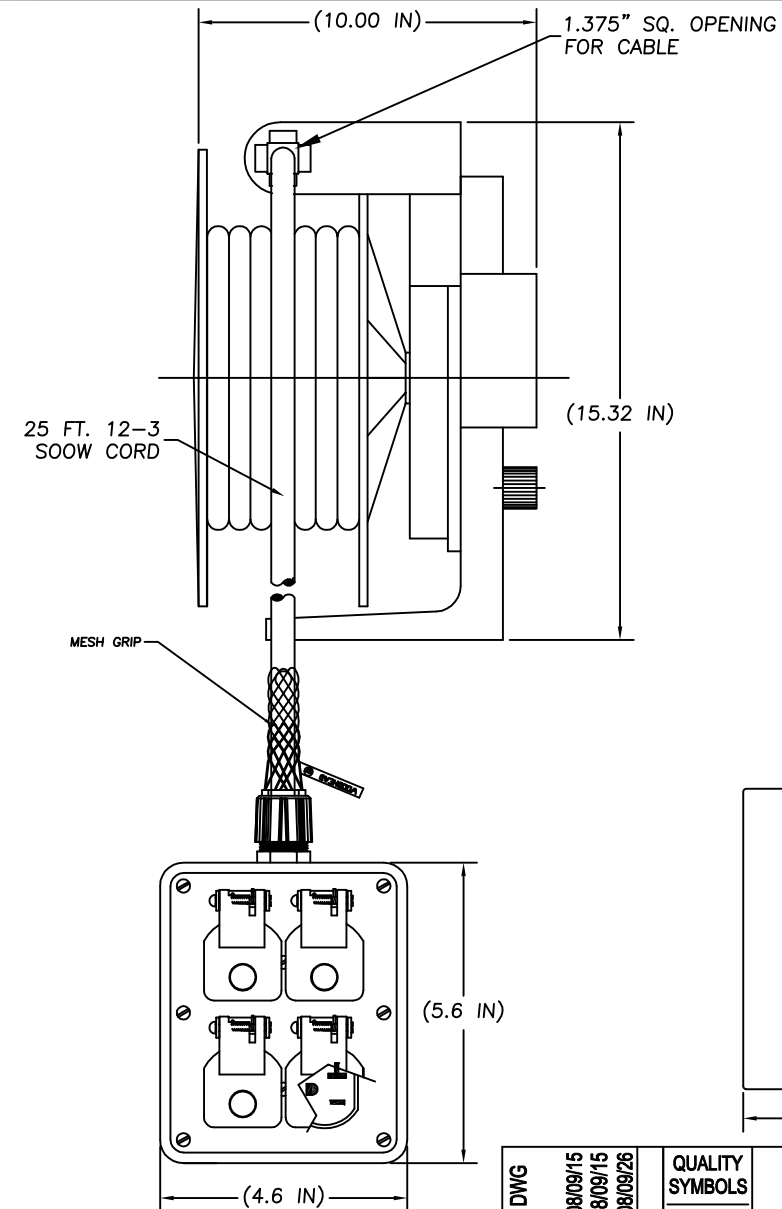
E

D

C

B

A



CUSTOMER APPROVAL DWG EC NO: WNA209-0192 DRWN: HKNEELAN 2008/09/15 CHKD: HKNEELAN 2008/09/15 APPR: JPAWLICK 2008/09/26	QUALITY SYMBOLS ▽=0 ∇=0	GENERAL TOLERANCES (UNLESS SPECIFIED)		DIMENSION STYLE INCHES		SCALE NTS	DESIGN UNITS INCH	THIRD ANGLE PROJECTION		
			mm	INCH	DRAWN BY	DATE	TITLE			
		4 PLACES	±---	±---	HK	2008/09/15	9383 OUTLET BOX GFCI NEMA 5-20R WIRE MESH GRIP			
		3 PLACES	±---	±.005	CHKD BY	DATE				
2 PLACES	±---	±.010	HK	2008/09/15	MOLEX INCORPORATED					
1 PLACE	±---	±.020	APPROVED BY	DATE						
		ANGULAR ±1/2°		MATERIAL NO.		DOCUMENT NO.		SHEET NO.		
DRAFT WHERE APPLICABLE MUST REMAIN WITHIN DIMENSIONS				1300830868		SD-130083-003		1 OF 1		
A	REV			SIZE A		THIS DRAWING CONTAINS INFORMATION THAT IS PROPRIETARY TO MOLEX INCORPORATED AND SHOULD NOT BE USED WITHOUT WRITTEN PERMISSION				

6 5 4 3 2 1

E

D

C

B

A