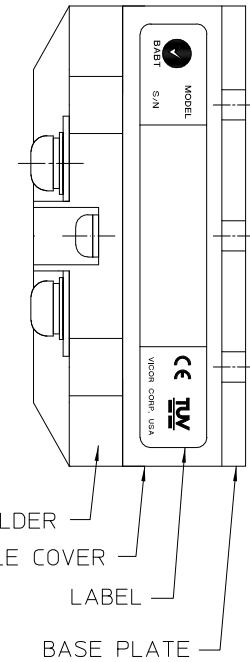
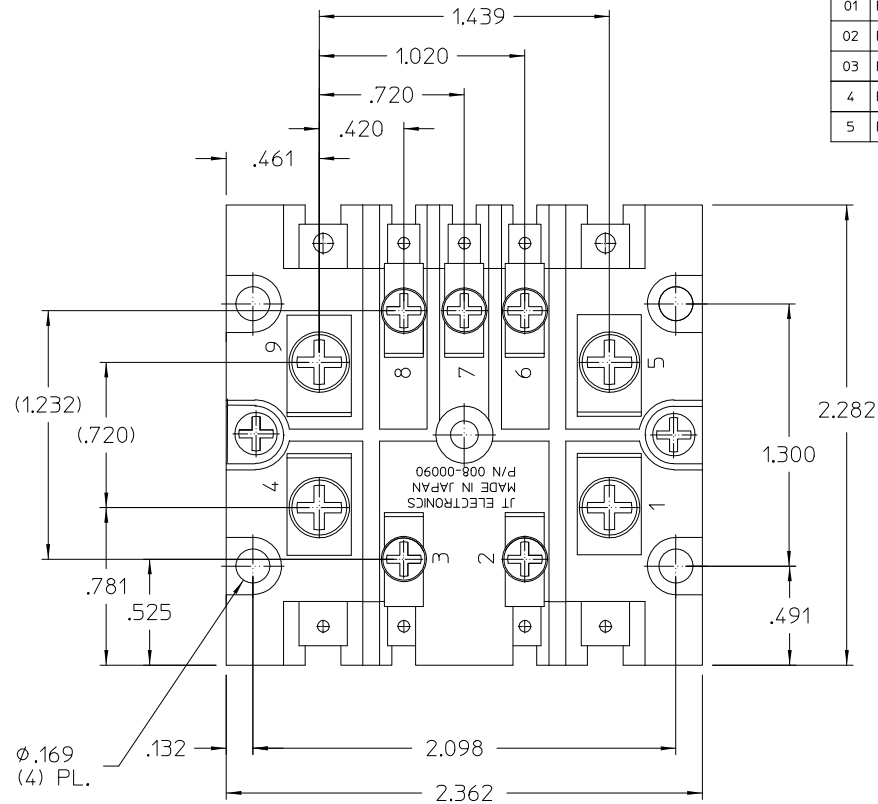
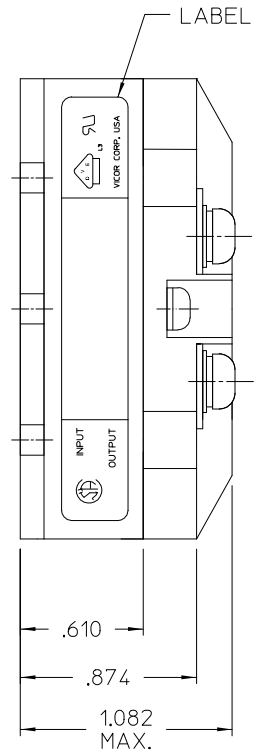


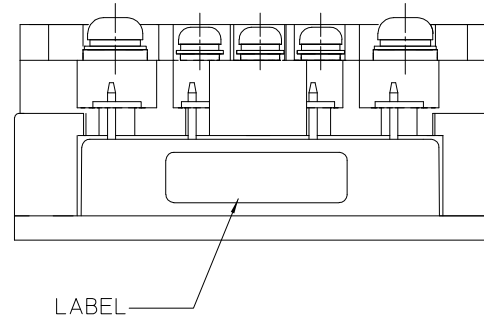
THIS DOCUMENT AND THE DATA DISCLOSED HEREIN OR HEREWITH IS NOT TO BE REPRODUCED, USED, OR DISCLOSED IN WHOLE OR IN PART TO ANYONE WITHOUT PERMISSION OF VICOR CORP.

REV.	DESCRIPTION	DATE	APPROVED
01	RELEASED PER E980255	7/1/98	DPK
02	REVSD- E980532	RCM 12/4/98	DPK
03	REVSD- E990007	AK 2/8/99	RCM
4	REVISED PER E090446	GCK 3/3/09	EF
5	REVISED PER E090968	AR 06/10/09	SD



PIN FUNCTIONS

PIN #	MINI-MOD	RAM	IAM	AIM
1	+IN	+IN	+IN	L1
2	GATE IN	+SENSE IN	+IN	NO CONNECTION
3	GATE OUT	-SENSE IN	-IN	NO CONNECTION
4	-IN	-IN	-IN	L2/N
5	+OUT	+OUT	+OUT	+OUT
6	+SENSE OUT	+SENSE OUT	GATE IN	GATE IN
7	TRIM	NO CONNECTION	PARALLEL	PARALLEL
8	-SENSE OUT	-SENSE OUT	GATE OUT	GATE OUT
9	-OUT	-OUT	-OUT	-OUT



NOTES:

- RoHS COMPLIANT PER CST-0001, LATEST REVISION.
- BUSMOD HOUSING- RECOGNIZED COMPONENT
UL FILE: E41797(QMFZ2) PLASTICS.
MANUFACTURED BY TORAY INDUSTRIES, INC.
TYPE A310MX04, POLYPHENYLENE SULFIDE (PPS) RATED 94V-0, OR
TYPE 1184G-A30%, POLYBUTYLENE TEREPHTHALATE (PET) RATED V-0.

DRAWN BY D.CYNAR	DATE 6/9/98				
<small>UNLESS OTHERWISE SPECIFIED DIMENSIONS ARE IN INCHES- TOLERANCES ARE:</small> <small>FRACTIONS DECIMALS ANGLES</small> <small>+1/64 .XX+ .01 °1°</small> <small>.XXX-.005</small>					
THIRD ANGLE PROJECTION 	SCALE 2:1	SIZE C	FSCM NO. 67131	DWG NO. 18959	REV 5
DO NOT SCALE DRAWING		SHEET 1 OF 1		OUTLINE MINI BUS MODULE	