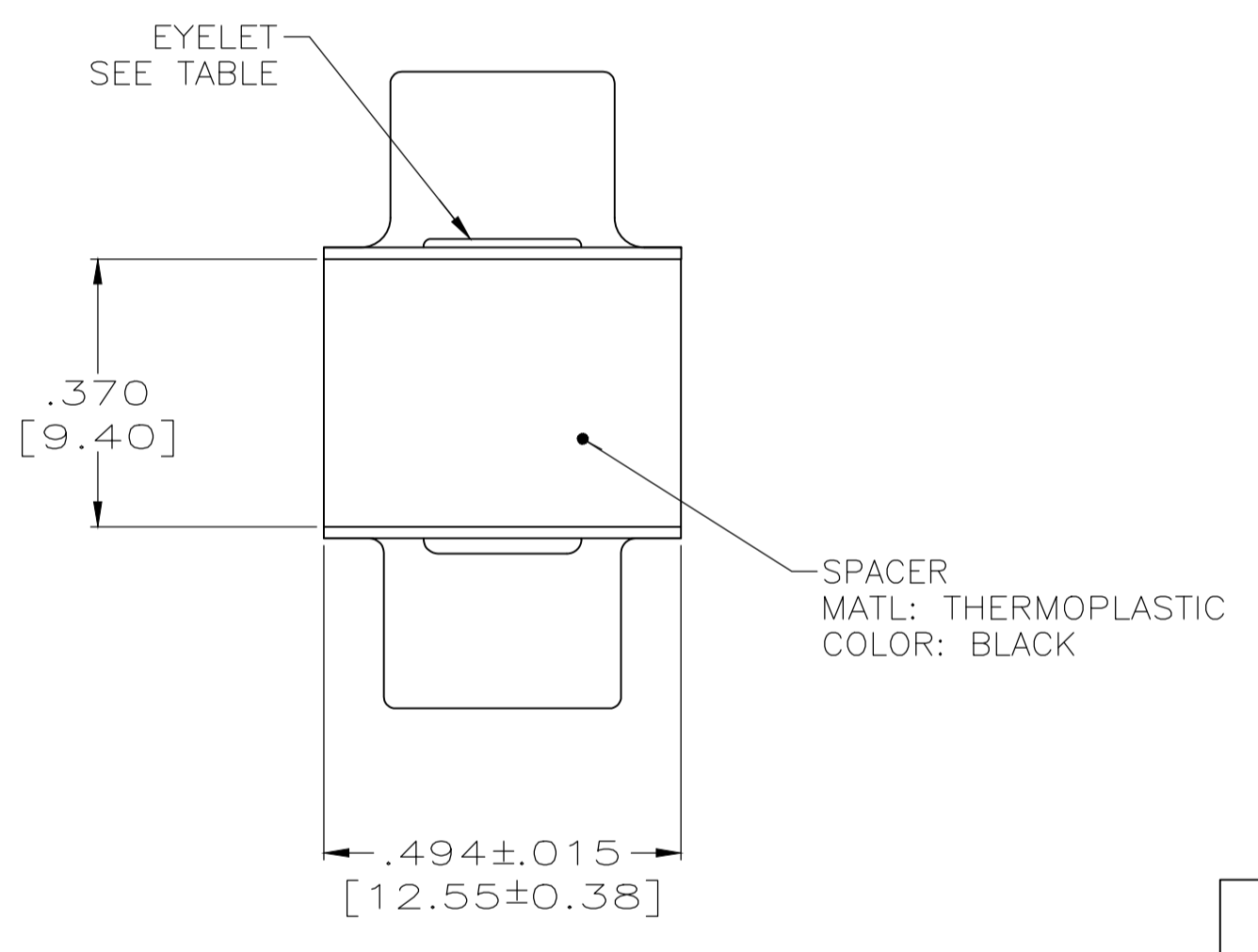
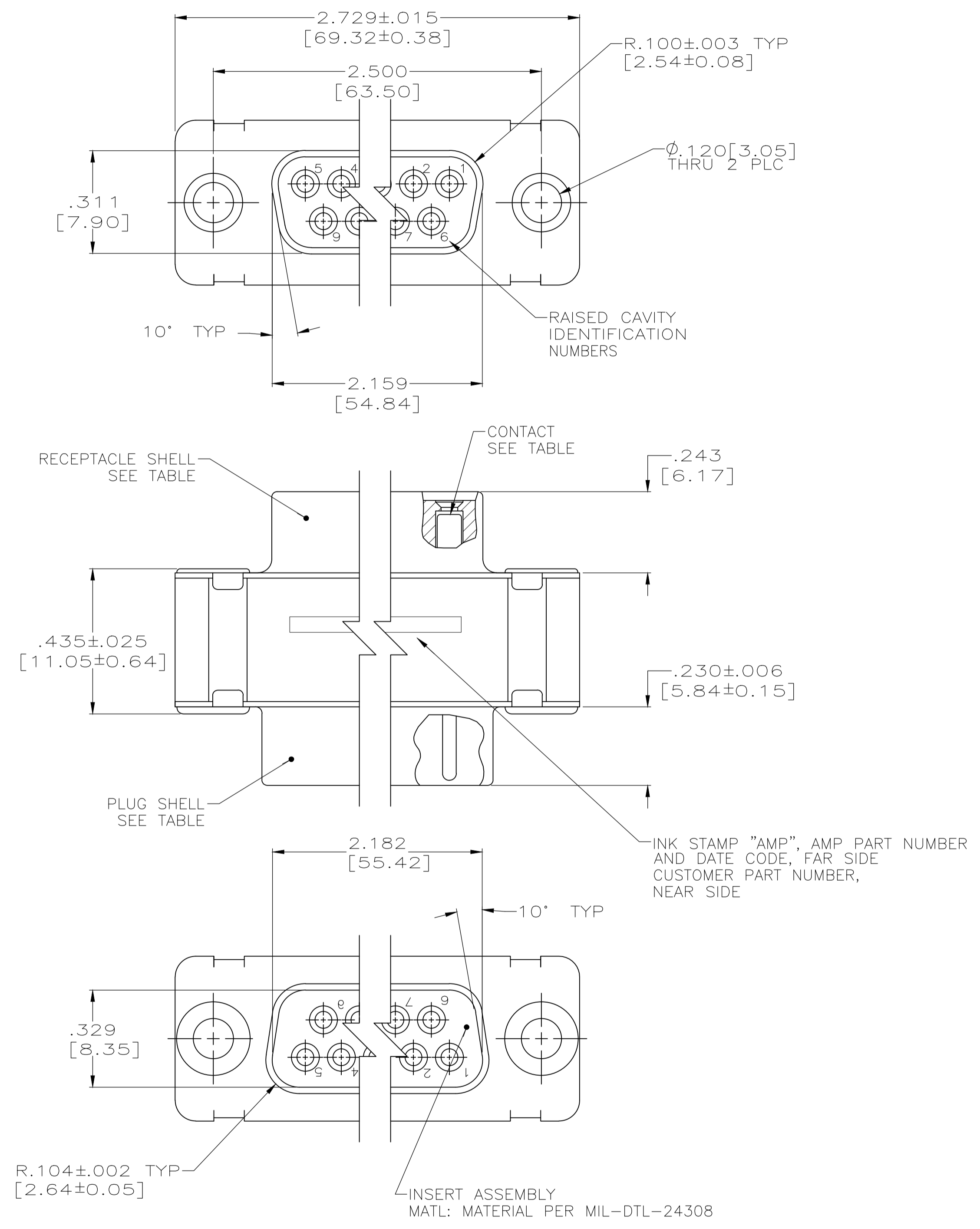
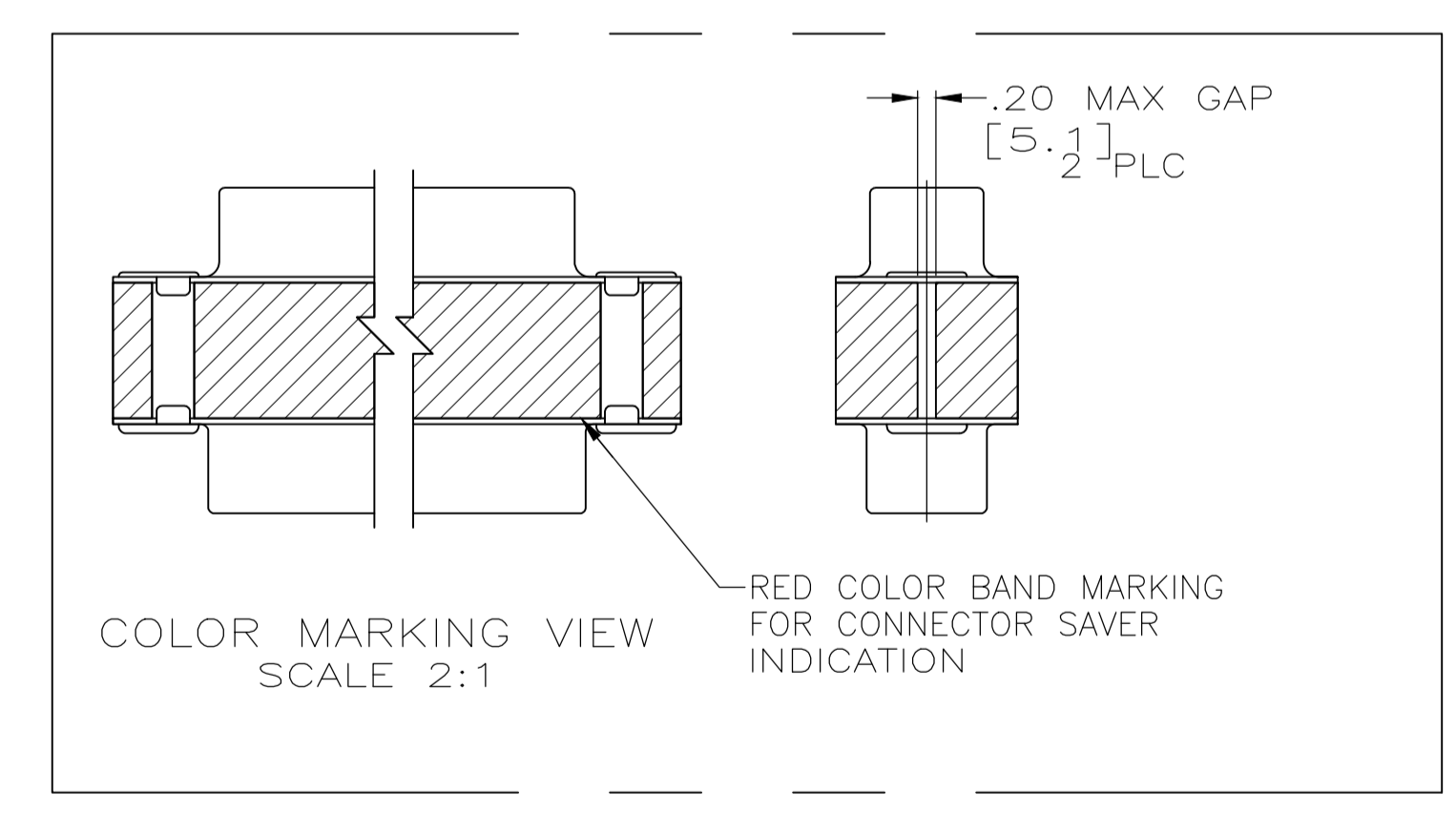


LOC		DIST		REVISIONS			
DF	DO	REV	DATE	BY	APPV	DATE	BY
E		REVISED	PER	ECO-15-005918		28-May-15	MGM CT



- CONTACTS INCLUDED IN ASSEMBLY.
- CONTACT
 BODY MATL: BERYLLIUM COPPER PER ASTM-B-197.
 BODY FINISH: PLATED GOLD, .000050 MIN THK PER MIL-G-45204 OVER NICKEL, .000050 MIN THK PER QQ-N-290.
 HOOD MATL: STAINLESS STEEL PER ASTM-A-167.
 HOOD FINISH: PASSIVATED PER ASTM-A-380.
- MATL: BRASS PER ASTM-B-36.
- FINISH: PLATED GOLD, .000050 MIN THK PER MIL-G-45204 OVER COPPER, .000100 MIN THK PER MIL-C-14550.



REV	DATE	BY	APPV	DESCRIPTION	DATE	BY	APPV
1	28-May-15	MANJUNATH G.M.	CHARLES THOMAS	4U884 SOCN R10002677-0004 (1J02-004)	28-May-15	CHARLES THOMAS	CHARLES THOMAS

△3/4	△3/4	△2	4U884 SOCN R10002677-0004 (1J02-004)	1218306-2
△3/4	△3/4	△2		1218306-1
EYELET	SHELLS	CONTACT	CUSTOMER P/N	PART NO.

THIS DRAWING IS A CONTROLLED DOCUMENT.		MANJUNATH G.M. 28-May-15		STE TE Connectivity	
DIMENSIONS: INCHES		TOLERANCES UNLESS OTHERWISE SPECIFIED:		NAME: CHARLES THOMAS	
0 PLC ± -		1 PLC ± -		PRODUCT SPEC	
2 PLC ± -		3 PLC ± .005(0.13)		APPLICATION SPEC	
4 PLC ± -		ANGLES ± -		SIZE: A1	
MATERIAL: -		FINISH: -		CAGE CODE: 00779	
				DRAWING NO: 1218306	
				RESTRICTED TO: -	
				CUSTOMER DRAWING	
				SCALE: 4:1	
				SHEET: 1 OF 1	
				REV: E	