

4

3

2

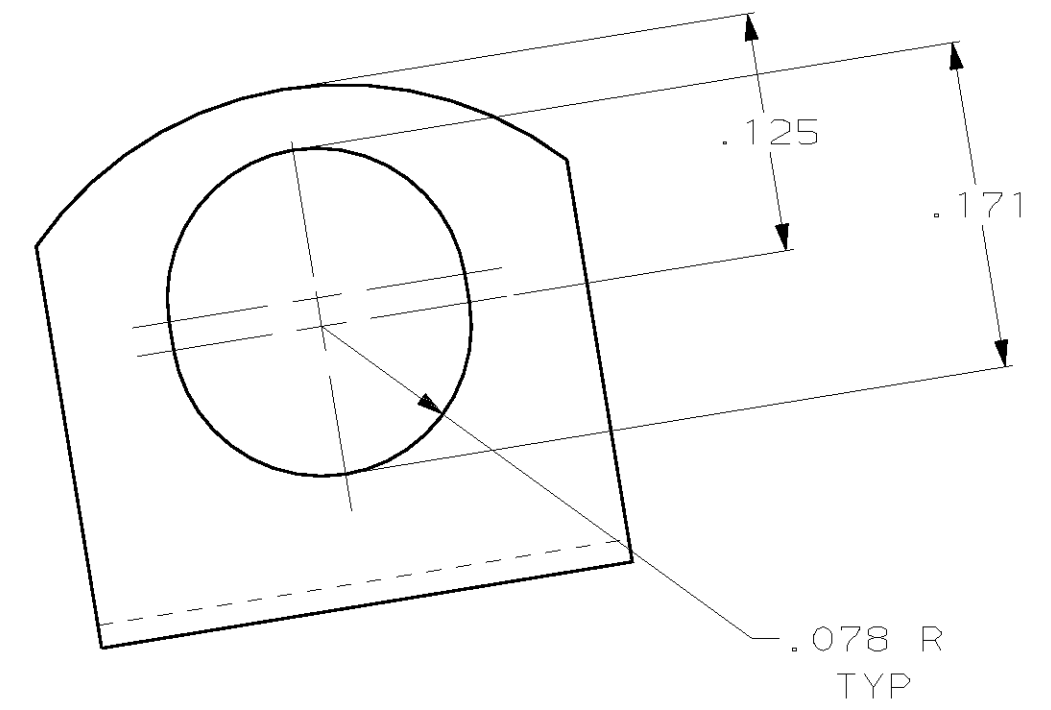
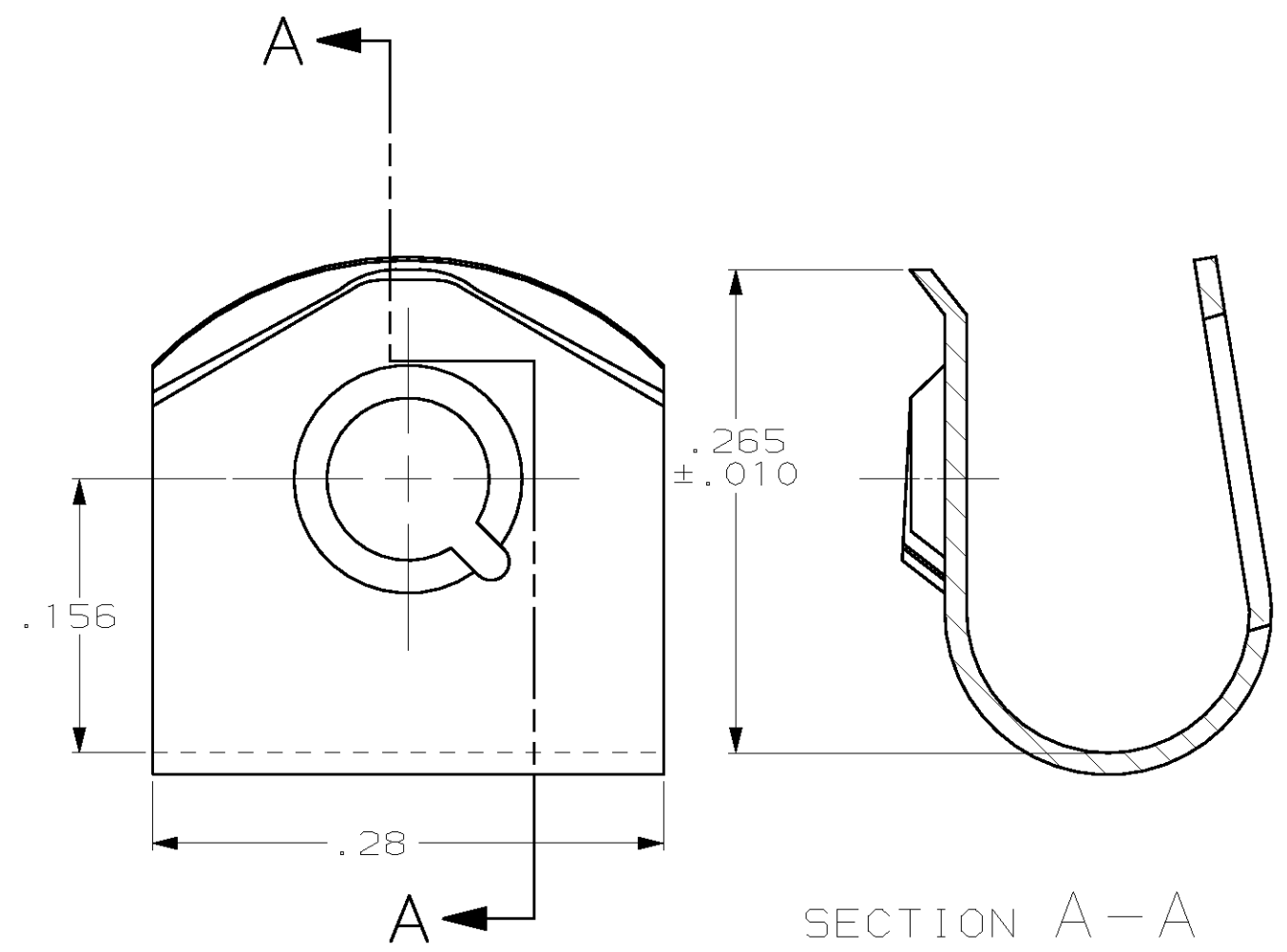
1

THIS DRAWING IS UNPUBLISHED. RELEASED FOR PUBLICATION, 19 .

© COPYRIGHT 19 BY AMP INCORPORATED. ALL RIGHTS RESERVED.

LOC	DIST	REVISIONS			
P	LTR	DESCRIPTION	DATE	DWN	APVD
BD	28	0	DWN PER WR99-17	17-FEB-99	LM WT

- ① PART MUST ACCEPT #4-40 UNC-2A THREAD.
- ② 100-198, STAINLESS STEEL
.012±.001 THICK.



OBSOLETE	746880-2
	746880-1
PART NO	

THIS DRAWING IS A CONTROLLED DOCUMENT.		DWN L. McEACHIN 17-FEB-99	AMP AMP Incorporated Harrisburg, PA 17105-3608												
DIMENSIONS: INCHES		CHK W. TAYLOR 17-FEB-99													
TOLERANCES UNLESS OTHERWISE SPECIFIED:		APVD W. TAYLOR 17-FEB-99	NAME RETAINER, SCREW, LOW PROFILE HDF, 135 FLANGE												
<table border="1"> <tr><td>0 PLC</td><td>±-</td></tr> <tr><td>1 PLC</td><td>±-</td></tr> <tr><td>2 PLC</td><td>±.02</td></tr> <tr><td>3 PLC</td><td>±.005</td></tr> <tr><td>4 PLC</td><td>±-</td></tr> <tr><td>ANGLES</td><td>±2°</td></tr> </table>		0 PLC	±-	1 PLC	±-	2 PLC	±.02	3 PLC	±.005	4 PLC	±-	ANGLES	±2°	PRODUCT SPEC -	SIZE A3
0 PLC	±-														
1 PLC	±-														
2 PLC	±.02														
3 PLC	±.005														
4 PLC	±-														
ANGLES	±2°														
MATERIAL ③		APPLICATION SPEC -	CAGE CODE 00779												
FINISH -		WEIGHT -	DRAWING NO C- 746880												
CUSTOMER DRAWING			RESTRICTED TO -												
SCALE 10:1			SHEET 1 OF 1												
REV 0															