



Box Cover Units

For Plug Fuses

Plug fuse box cover units provide a simple, inexpensive way to protect small motors with Edison-type “T”, “TL”, “TC”, “P” and “W” plug fuses. Box cover units are easily installed in standard electrical boxes. By using fuses sized at the amp rating of a motor or slightly larger, optimum overload and short-circuit protection is provided. Box cover units are UL Listed.

Selection Data – Plug Fuse Box Cover Units

| Box Cover Cat. No. | Type Box | Fuseholder | | Receptacle Outlet to Load | | Switch Control+ | Switch Light++ | Motor Size (Max.) | General Data | Agency† Listing/ Certification | |
|-----------------------|---------------|------------|--------|------------------------------|--------|--------------------|-------------------|-------------------------|---|--------------------------------------|---------|
| | | Single | Double | 125Vac | 250Vac | | | | | | |
| SOU | 2 1/4" Handy | X | | | | | | 1/4 Hp | 125V, 15A | UL, CSA | |
| SRU | | X | | X | | | | 1/2 Hp | 125V, 15A | UL | |
| SSU | | X | | | | | X | | 1/2 Hp | 125Vac (do not use on DC), 15A | UL, CSA |
| SOW | 2 3/4" Switch | X | | | | | | 1/4 Hp | 125V, 15A | UL, CSA | |
| SRW | | X | | X | | | | 1/2 Hp | 125V, 15A | UL | |
| SSW | | X | | | | | X | | 1/2 Hp | 125Vac (do not use on DC), 15A | UL, CSA |
| SOX | 4" Octagon | X | | | | | | 1/4 Hp | 125V, 15A | UL, CSA | |
| SRX | | X | | X | | | | 1/2 Hp | 125V, 15A | UL | |
| SSX | | X | | | | | X | | 1/2 Hp | 125Vac (do not use on DC), 15A | UL, CSA |
| SOY | 4" Square | X | | | | | | 1/4 Hp | 125V, 15A | UL, CSA | |
| SRY | | X | | X | | | | 1/2 Hp | 125V, 15A | UL | |
| SSY | | X | | | | | X | | 1/2 Hp | 125Vac (do not use on DC), 15A | UL, CSA |
| SSY-RL | | X | | X | | | X | X | 1/2 Hp | 125Vac (do not use on DC), 15A | — |
| STY* | | | | X | | | X* | | 1/2 Hp* | 125Vac (do not use on DC)*, 15A | UL |
| SCY** | | | X | | | X(2)** | | 1/2 Hp(2)** | 125Vac (do not use on DC); can protect two motors**, 15A | UL | |
| SOY-B | | | X | | | | | 1/4 Hp | 125V, protects two motors, 15A | UL | |
| SKA | 4 1/8" Square | | X | | | | | 2 Hp | 250V, 15A single-phase | UL | |
| SSN | Single Gang | X | | | | X | | 1/2 Hp | 125V, 15A Weatherproof | UL | |

+ Switch turns power to fused load OFF or ON.

++ Switch light indicates power to load (dark when switch OFF or fuse open).

* Double-pole switch opens both sides of circuit. STY can be used for two separate 125V motors not larger than 1/2 Hp with the common switch, or a single motor not larger than 2 Hp at 250V (Maximum of 150V to ground).

** The SCY unit can be used for protection of a single motor not larger than 2Hp at 250V (Maximum of 150V to ground).

† UL Guide JAMZ, File E6491; CSA Class 6225-01, File 47235.

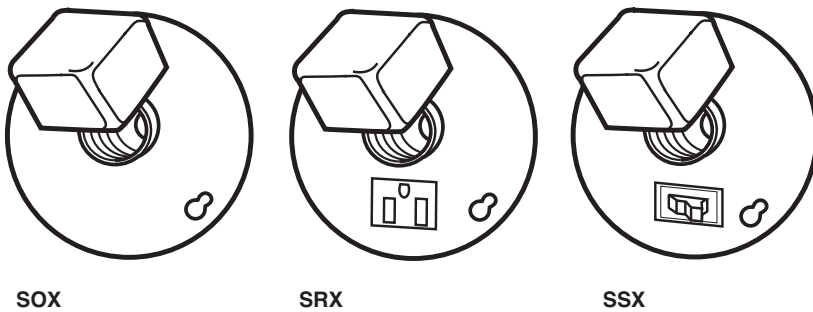
2 1/4" Handy Boxes



2 3/4" Switch Boxes



4" Octagon Boxes



4-1/16" Square Boxes



4" Square Boxes



UL/CSA Fuses
Current Limiting

UL/CSA Fuses
General Purpose

Special
Purpose Fuses

Canadian
Fuses & Holders

Medium
Voltage Fuses

Fuse Blocks,
Holders & Misc.

Application
Section