

Ionizer Mounting Arm Installation and Maintenance



Made in the
United States of America



Figure 1. Desco [60466](#) Ionizer Mounting Arm

Description

The Desco [60466](#) Ionizer Mounting Arm is designed as a mounting alternative for the Chargebuster® Jr. Ionizer, High Output Benchtop Ionizer and Benchtop Zero Volt Ionizer. The arm allows the ionizer to be mounted off the worksurface, saving valuable work space. The articulated movement of the arm assembly allows the user to focus the ionizer's output directly onto the desired areas. The Ionizer Mounting Arm includes a C-clamp for ease of installation.

The Desco [60466](#) Ionizer Mounting Arm is compatible with the following items:

Item	Description
50663	Benchtop Zero Volt Ionizer, 120VAC
50670	Benchtop Zero Volt Ionizer, 220VAC
50690	Benchtop Zero Volt Ionizer, 120VAC
50691	Benchtop Zero Volt Ionizer, 220VAC
60500	Chargebuster® Jr. Ionizer, 120VAC
60501	Chargebuster® Jr. Ionizer with Heater, 120VAC
60505	High Output Benchtop Ionizer, 120VAC
60515	High Output Benchtop Ionizer, 220VAC

Packaging

- 1 Ionizer Mounting Arm with C-Clamp
- 4 Screws

Installation

1. Secure the arm to the desired location of the workbench using the C-clamp located at the base of the arm.



Figure 2. Using the C-clamp to secure the Ionizer Mounting Arm to a workbench

2. Remove the benchtop ionizer from its stand, and secure the stand to the end of the mounting arm using the 4 included screws.

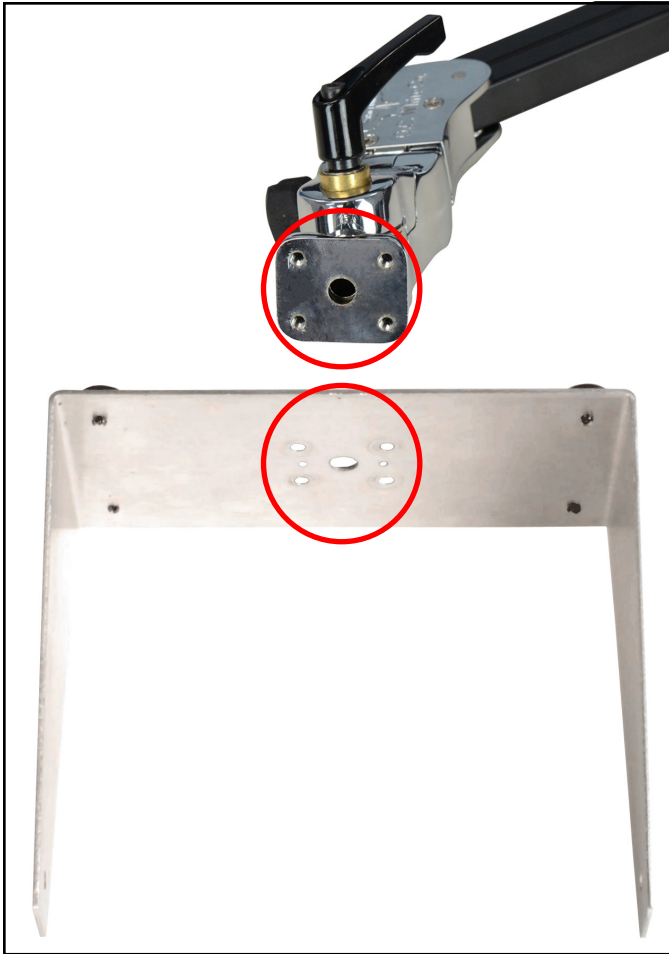


Figure 3. Locating the mounting holes on the ionizer's stand

3. Secure the benchtop ionizer back to the stand.
4. Connect the power cord to the ionizer and an appropriate electrical receptacle.

NOTE: The Ionizer Mounting Arm is not compatible with Desco ionizers built prior to 2011. Use the drill pattern below to modify a bracket to fit the Ionizer Mounting Arm.

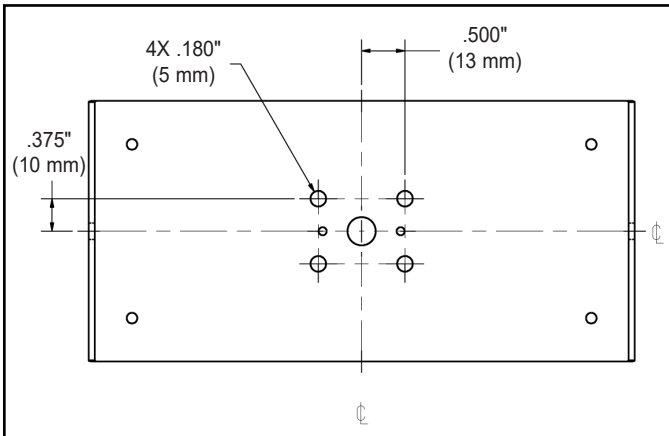


Figure 4. Drill pattern for Ionizer Mounting Arm

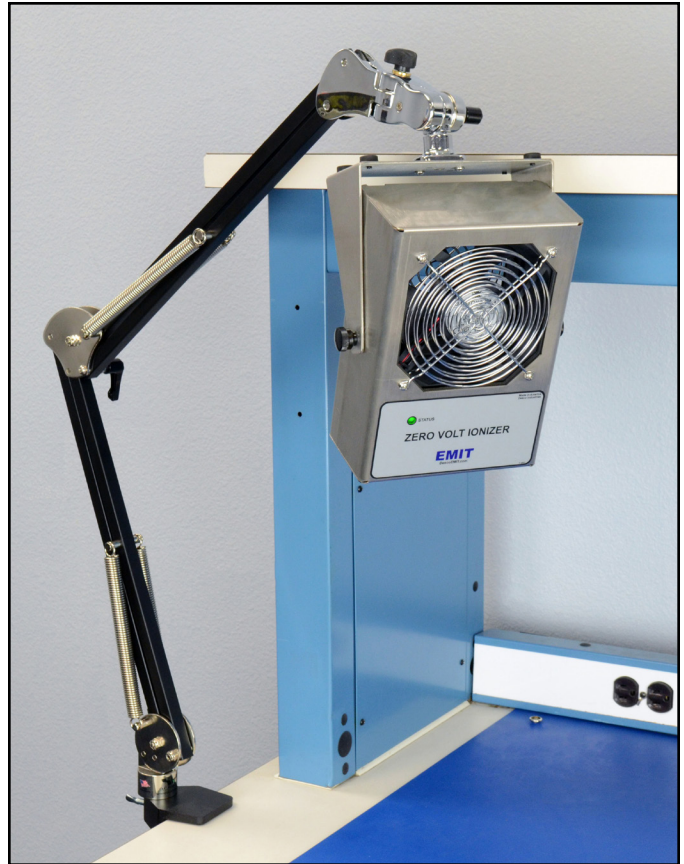


Figure 5. Using the Ionizer Mounting Arm with the Benchtop Zero Volt Ionizer

Specifications

Construction	Metal with springs
Weight	4.8 lbs. (2.2 kg)
Maximum Extension	38" (965 mm)
Maximum Weight Capacity	8 lbs. (3.6 kg)

Limited Warranty, Warranty Exclusions, Limit of Liability and RMA Request Instructions

See the Desco Warranty - Desco.com/Limited-Warranty.aspx