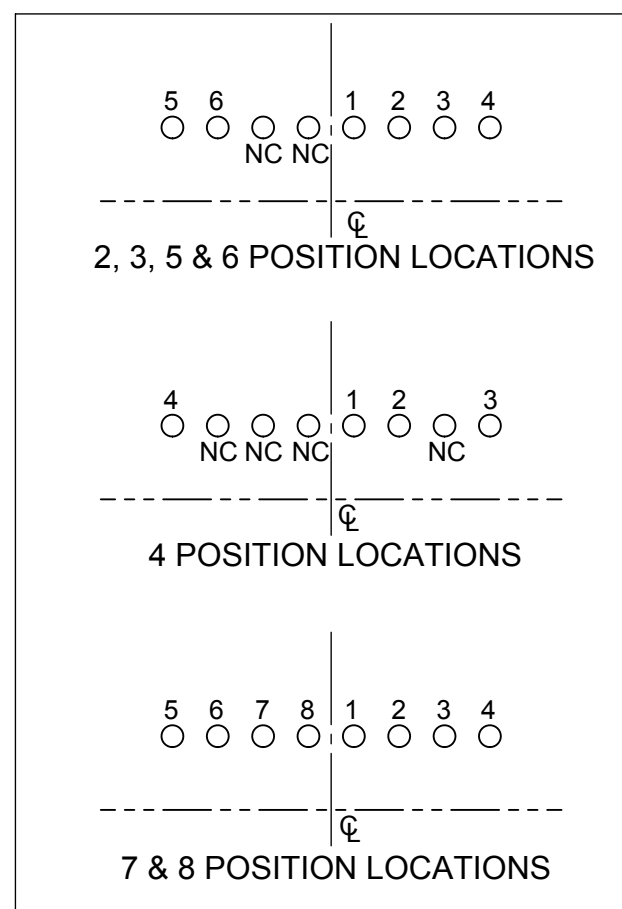
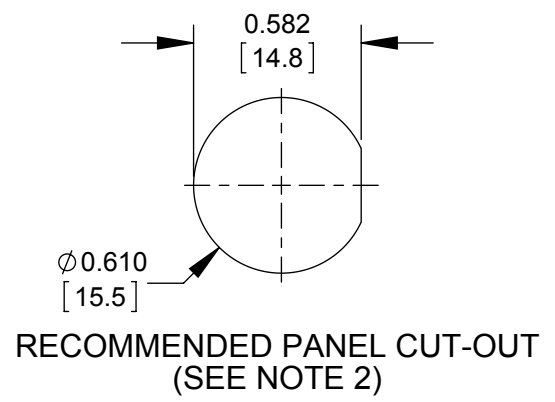
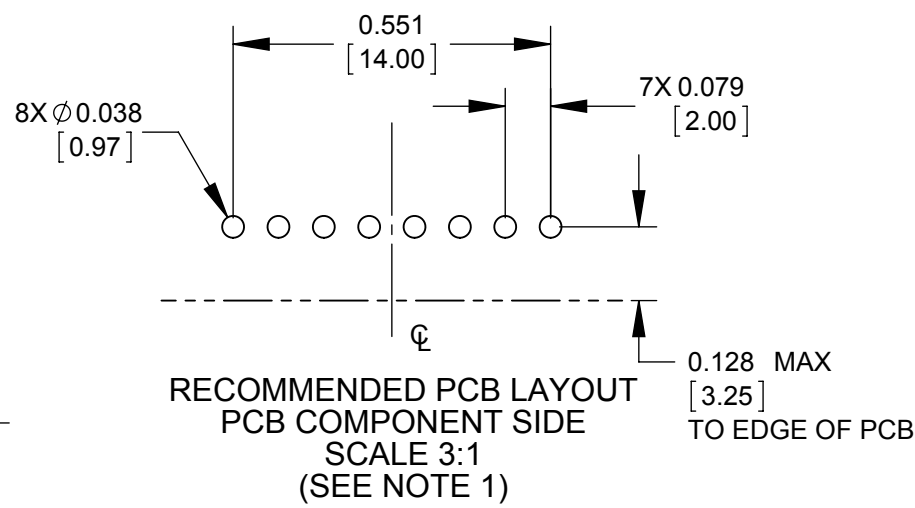
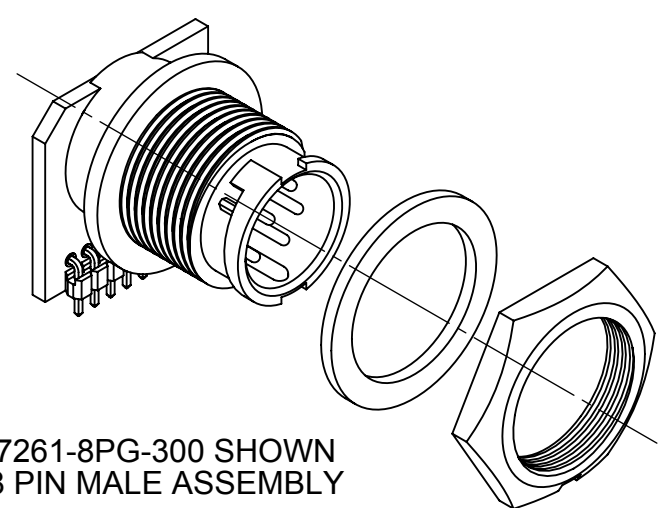
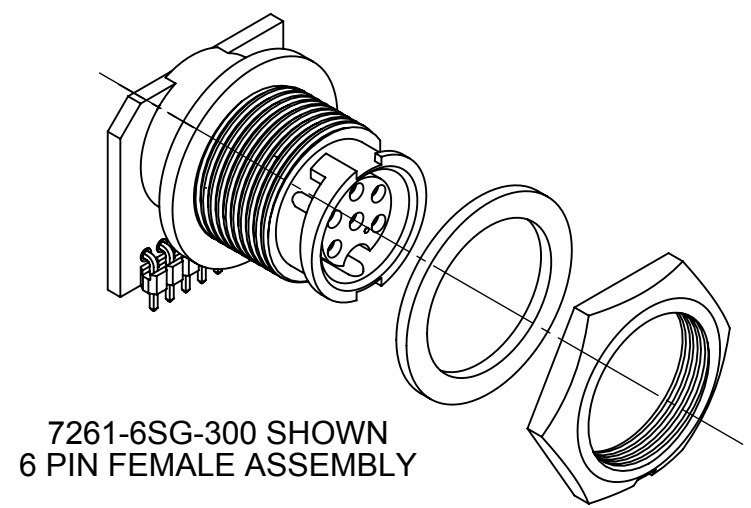
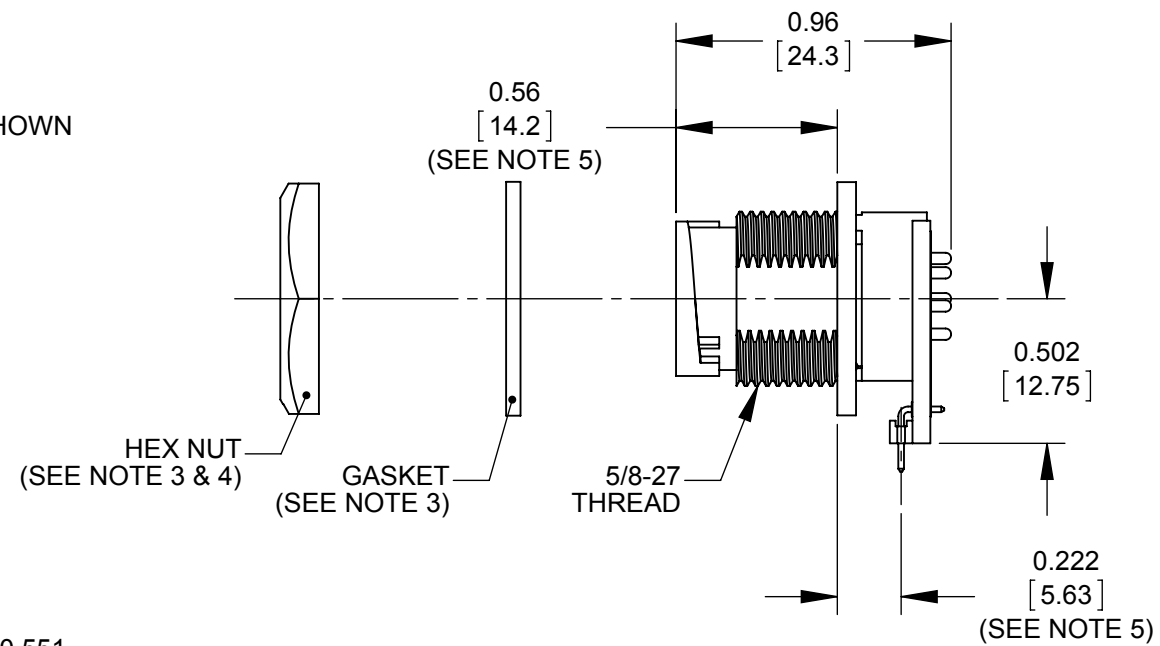
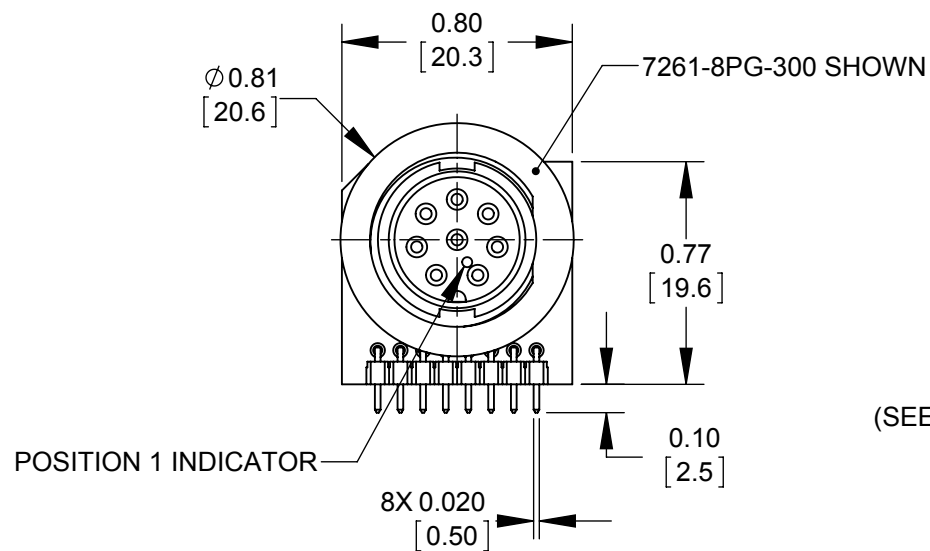


- NOTES:
1. ALL HOLES REQUIRED REGARDLESS OF NUMBER OF POSITIONS OF CONNECTOR.
  2. MAXIMUM PANEL THICKNESS RECOMMENDED: 0.188 [4.78mm]
  3. HEX NUT & GASKET SHIPPED UNASSEMBLED.
  4. HEX NUT TIGHTENING TORQUE: 8-10 IN/LB
  5. THE DIMENSION DOES NOT INCLUDE THE GASKET.
  6. CURRENT RATING-  
5-8 CONTACT: 4.0 AMP  
2-4 CONTACT: 5.0 AMP
  7. TEMPERATURE RATING: -40°C TO +85°C (-40°F TO +185°F)
  8. MATERIALS-  
PANEL CONNECTOR, HEX NUT, & SPACER: THERMOPLASTIC  
GASKET: ELASTOMER  
CONTACTS: COPPER ALLOY, GOLD PLATE  
PCB: FR-4  
HEADER INSULATOR: THERMOPLASTIC, UL94V-0
  9. THIS PRODUCT IS RoHS COMPLIANT.



7261 - G - 300

# OF CONTACTS  
2,3,4,5,6,7,8  
(7&8 NOT AVAILABLE IN FEMALE)

GENDER  
P - MALE  
S - FEMALE

CUSTOMER DRAWING

PRELIMINARY

RoHS COMPLIANT

0C	JGK	11/05/15	UPDATED NOTES.
0B	JGK	9/21/15	UPDATED NOTES.
0A	JGK	8/28/13	DRAWING CREATED PER PROJECT #09001.
REV.	INIT.	DATE	DESCRIPTION
	JGK	8/26/13	ORIG. DRAWN BY: DATE: CHECKED BY:
ALL INFORMATION ILLUSTRATED IS THE PROPERTY OF CONXALL CORPORATION. UNAUTHORIZED DUPLICATION OR DISTRIBUTION OF THIS DOCUMENT IS PROHIBITED.			<p>601 E. WILDWOOD VILLA PARK, IL 60181</p>
ALL UNITS ARE IN FEET, INCHES, FRACTION OF INCHES AND DECIMALS. UNLESS OTHERWISE SPECIFIED TOLERANCES: 3 PLACE DECIMALS ±.005 ANGLES ±1° FRACTIONS ±1/16 - CRITICAL CHARACTERISTIC FLAG PER SPEC. XXXX			
APPROVED BY:		SCALE	TITLE:
		3:2	MINI-CON-X RIGHT ANGLE
		SIZE	2-8 POSITION
		B	NARROW PC BOARD
		SHEET	STANDARD PRODUCT
		1 OF 1	CUSTOMER:
FILE:	DIRECTORY:	PART NUMBER:	7261- _ _G-300 SERIES
SAME AS P/N	SLW		REV 0C

CUSTOMER DRAWING

PART NUMBER: 7261- \_ \_G-300 SERIES