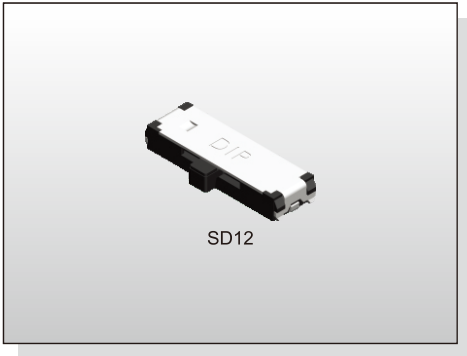


# SLIDE SWITCH SD12 SERIES

## Slide Type (1P3T)



### FEATURES

- ※ 1.45mm height
- ※ 1P3T model
- ※ Single side recoil

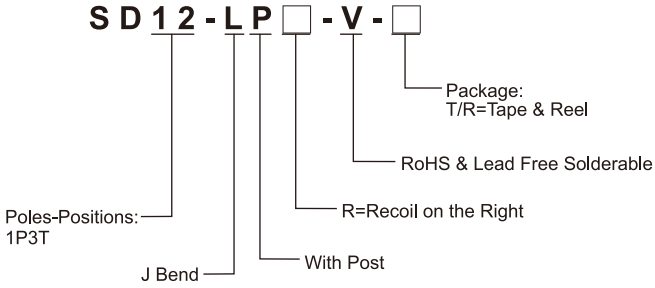
### APPLICATION

- ※ Remote control
- ※ Consumer electronics
- ※ Instrumentations

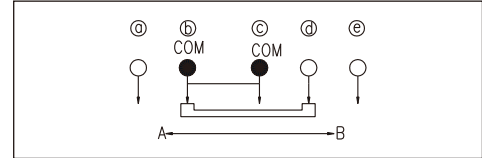
### SPECIFICATION

Contact Rating	0.3A, 15V DC
Contact Resistance	1Ω max.
Insulation Resistance	10MΩ min. 100V DC
Dielectric Strength	100V AC/1 minute
Operating Force	150±100gf
Travel	1.5mm
Operating Life	5,000 cycles
Operating Temp.	-10°C ~ +60°C
Storage Temp.	-25°C ~ +85°C

### HOW TO ORDER



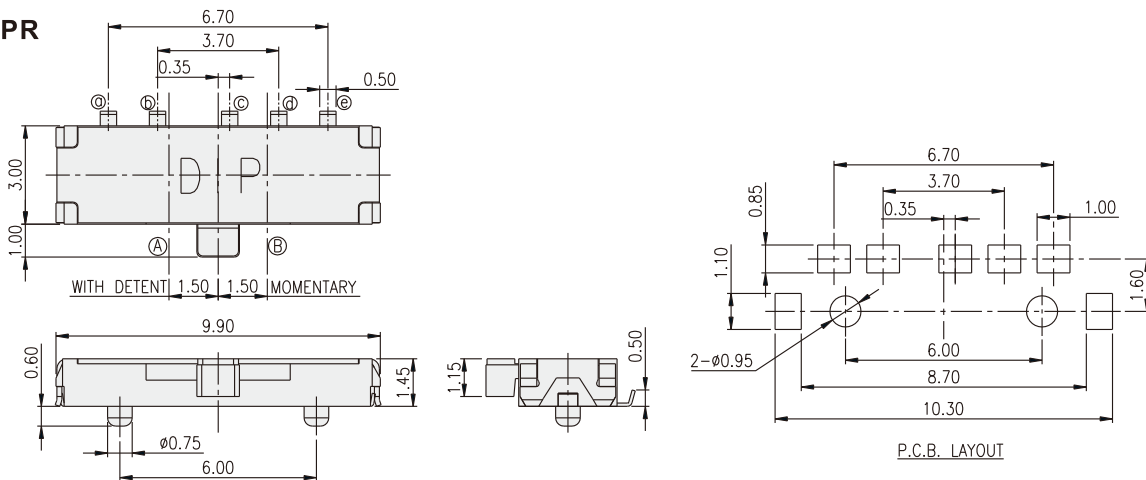
### CIRCUIT



### PACKAGE

<Tape & Reel>  
3000 pcs

### SD12-LPR



SLIDE SWITCH