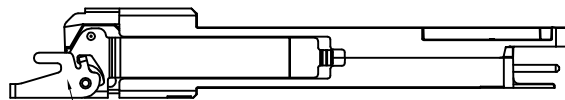
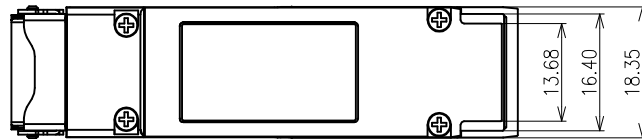
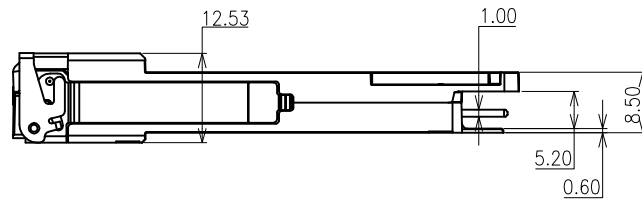
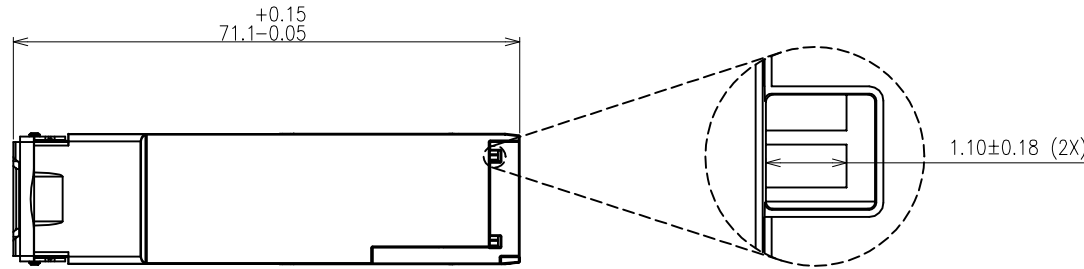


3M™ Active Optical Pluggable Transceiver For QSFP+ Applications
 Visit <http://www.3Mconnectors.com>

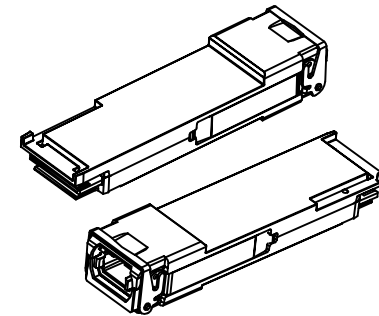
NOTES:

1. RoHS COMPLIANT. SEE REGULATORY INFORMATION APPENDIX IN "RoHS COMPLIANCE" SECTION AT www.3Mconnectors.com (E1 & C1 APPLY)
2. MEET SPECIFICATION SFF-8436
 UNLESS OTHERWISE NOTED, REFERENCES TO INDUSTRY SPECIFICATIONS ARE INTENDED TO INDICATE SUBSTANTIAL COMPLIANCE TO THE MATERIAL ELEMENTS OF THE SPECIFICATION. SUCH REFERENCES SHOULD NOT BE CONSTRUED AS A GUARANTEE OF COMPLIANCE TO ALL REQUIREMENTS IN A GIVEN SPECIFICATION."
3. MATERIAL:
 HOUSEING: ZINC ALLOY
 FINISHING: NICKEL PLATING
4. ORDERING INFORMATION:

6B=Pluggable Transceiver
 2=QSFP+
 A=10G
 04=4 channels
 1=850nm optical wavelength
 2=Multi Mode
 A=MPO Optical Interface
 0=Placeholder



FREE ROTATION 90° AFTER ASSEMBLY



DESIGN REFERENCE		NEXT ASSEMBLY		A 0045111		MAY 17, 2013		OKC	YL
DISTRIBUTION CODES		DRFT OH KIM CHYE		DATE MAY 17, 2013		MFG DATE		DRFT	CHKD
DIVISION ESD		DIVISION CODE		DRD QIAO YUN LONG		DATE MAY 17, 2013		APPR SAUJIT BANDHU	
DO NOT SCALE DRAWING		SCALE 2/1		TOLERANCES EXCEPT AS NOTED		INCHES		MILLIMETERS	
THIRD ANGLE PROJECTION		INTERPRET PER ASME Y14.5 - 1994		MAX SURFACE ROUGHNESS		125		ALL SURFACES MARKED ONLY	
MAY 17, 2013		MAY 17, 2013		MAY 17, 2013		MAY 17, 2013		MAY 17, 2013	
3M		3M Center St. Paul, MN 55144		© 3M COPYRIGHT 2013		This document and the information it contains are 3M property and may not be reproduced or further distributed without 3M permission, or used or disclosed other than for 3M authorized purposes. All rights reserved.		TITLE	
QSF		P+		OPTICAL		4x10Gbps		PLUGGABLE TRANSCEIVER	
CAGE NUMBER		SIZE		DRAWING NO.		REV.		A	
78-5100-2570-9		C		78-5100-2570-9		A		SHT 1 OF 1	
MODEL		DET. LISTS		YES		NO		SHT 1 OF 1	

78-5100-2570-9 REVISION