

D

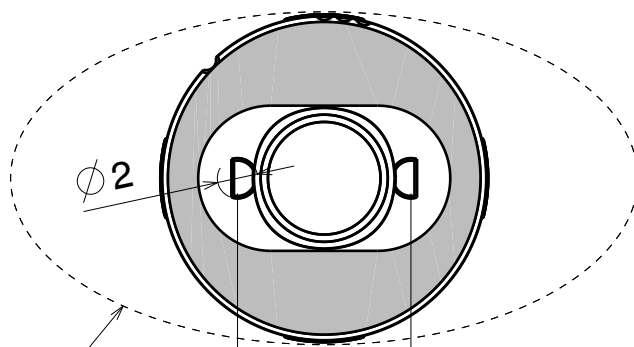
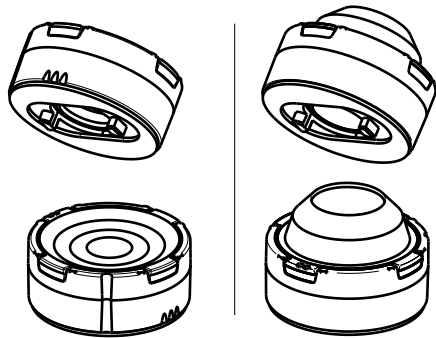
C

B

A

4

4



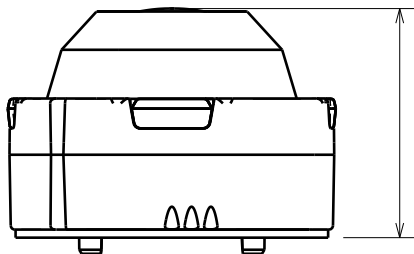
Oval beam direction

8.6

c / c

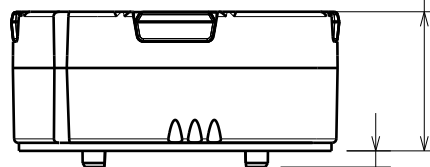
3

3



11.4

Spot version height

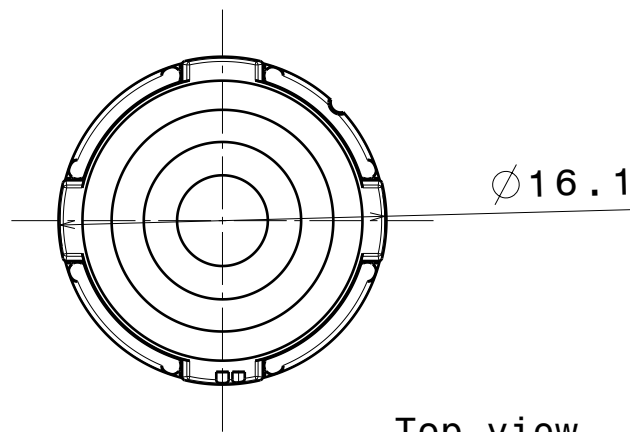


6.9

0.8

2

2



16.1

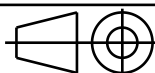
Top view

Tolerances if not otherwise shown
 According to DIN ISO 2768-1
 Linear measures:
 Up to 30mm class M, otherwise class C.
 According to DIN ISO 2768-2
 Form and position: class L



Ledil Oy
 Salorankatu 10
 FIN 24240 SALO
 Finland

THIRD ANGLE PROJECTION:



DRAWING TITLE

TINA3 Datasheet

This drawing is the property
 of LEDiL Oy. It may not be
 reproduced, copied or
 communicated without a written
 agreement with LEDiL Oy."

SIZE

PART NUMBER

A4

-

SCALE

4:3

WEIGHT

-

SHEET

1/1

D

A

1