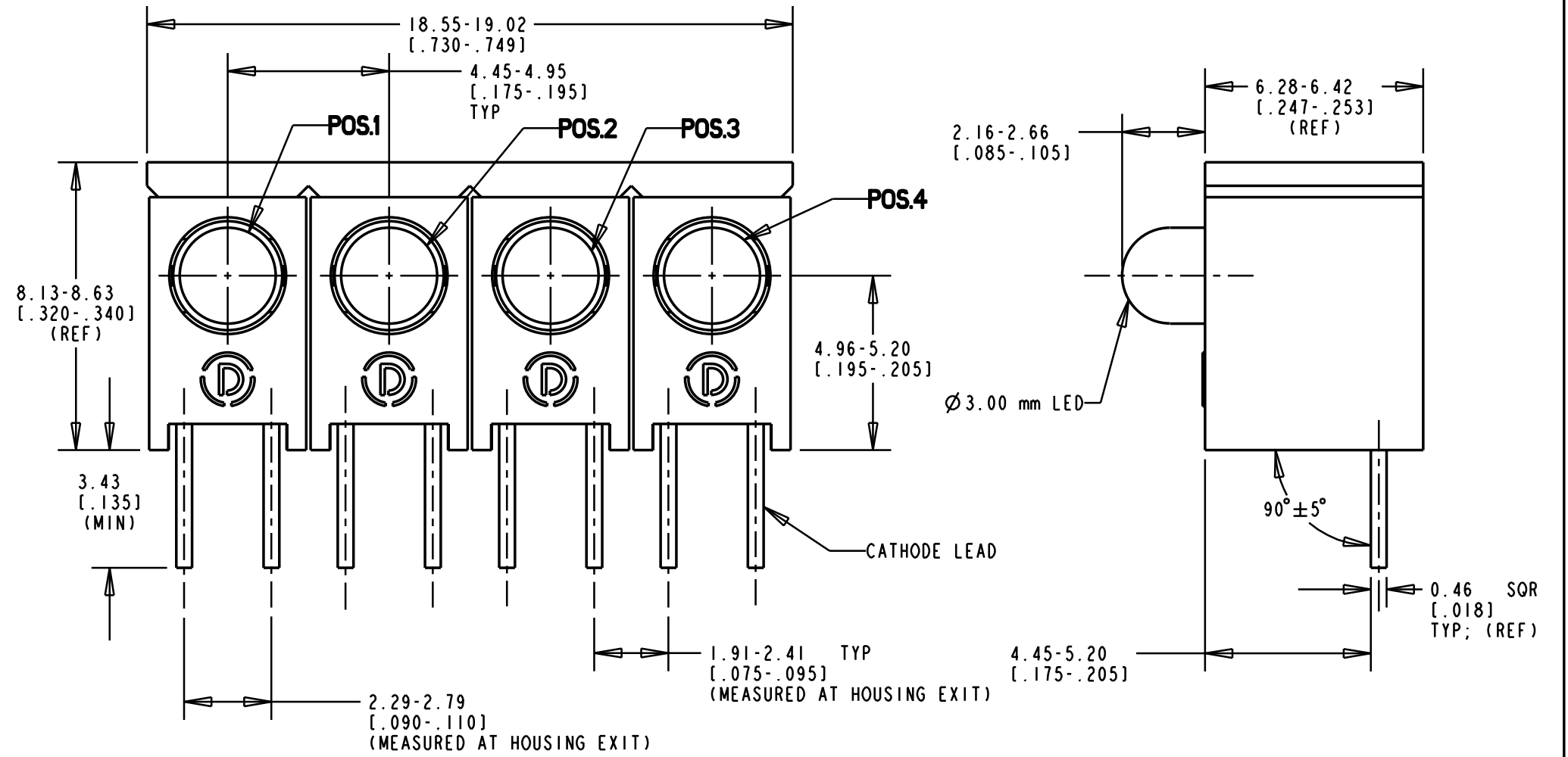


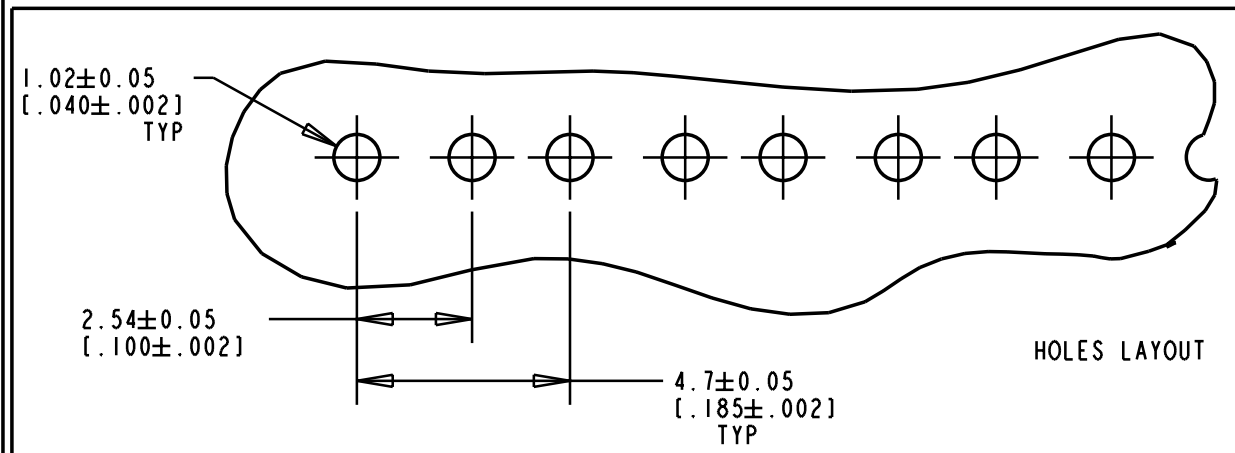
POSITION 1	POSITION 2	POSITION 3	POSITION 4
YELLOW	RED	RED	GREEN

REV.	ECN NO.	REVISIONS	DRN.	CKD.	APP.	DATE
A	—	NEW RELEASE	AV			

OPERATING CHARACTERISTICS AT 25°C AMBIENT						
CHARACTERISTICS		MIN	TYP	MAX	UNITS	TEST CONDITIONS
LUMINOUS INTENSITY	RED	1.0	1.8		mcd	$I_f = 2 \text{ mA}$
	YELLOW	1.0	1.6			$I_f = 10 \text{ mA}$
	GREEN	2.6	7.0			
FORWARD VOLTAGE	RED		1.8	2.2	V	$I_f = 2 \text{ mA}$
	YELLOW		1.9	2.7		$I_f = 10 \text{ mA}$
	GREEN		2.1	2.7		
REVERSE VOLTAGE	RED	5			μA	$I_R = 50 \mu\text{A}$
	YELLOW	5				
REVERSE CURRENT	GREEN			100	μA	$V_R = 5 \text{ V}$
PEAK WAVELENGTH	RED		635		nm	
	YELLOW		583			
	GREEN		565			

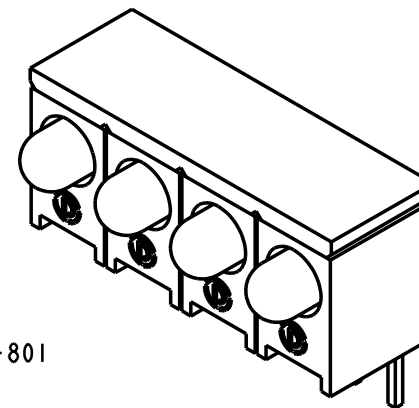


ABSOLUTE MAXIMUM RATING AT 25°C AMBIENT		RED	YELLOW	GREEN	UNITS
LEAD SOLDERING TEMPERATURE, 5 SEC., 1/16" FROM BODY		260			°C
OPERATING TEMPERATURE		-55 TO 100		-20 TO 100	°C
STORAGE TEMPERATURE		-55 TO 100			°C



NOTES:

- LEADS TO FIT INTO HOLES SPACED AS PER HOLE PATTERN
- LEADS TO BE FREE OF DEFORMATION AFTER BENDING AND CUTTING
- LED LEAD DIMENSIONS SHOWN ARE MEASURED AT HOUSING EXIT
- DIALIGHT PART NUMBER = HLMP-1719-801



SCALE 3.000

THIS DRAWING AND THE CONTENTS HEREIN ARE CONFIDENTIAL AND THE SOLE PROPERTY OF DIALIGHT. REPRODUCTION OF THIS DRAWING OR CONSTRUCTION OF ANY PARTS WITHIN THIS DRAWING ARE FORBIDDEN WITHOUT THE WRITTEN CONSENT OF DIALIGHT.

SCALE X:X	DRAWING NUMBER	REV
ALL DIM'S IN: INCHES	C-16657	A
TOLERANCES: UNLESS OTHERWISE SPECIFIED	TITLE $\varnothing 3.00 \text{ mm CBI ARRAY}$	
FRACTIONS: $\pm 1/64$	MATERIAL	
DECIMALS (.XX): $\pm .01$	Dialight	
DECIMALS (.XXX): $\pm .005$	1913 ATLANTIC AVE.	
DECIMALS (.XXXX): $\pm .0005$	MANASQUAN, N.J. 08736	
ANGLES: $\pm 1^\circ$	SHEET OF FAMILY TABLE:	
FINISH:	FSCM 83330	