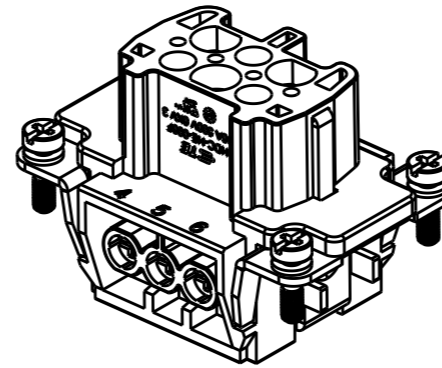
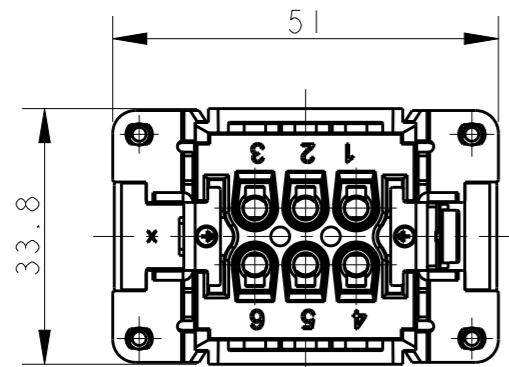


P	LTR	DESCRIPTION	DATE	DWN	APVD
A		INITIAL RELEASE	04APR2015	GY	CW
B		ECR-15-013759	27SEP	DW	CW
B1		ECR-16-011988	24AUG2016	YC	CW
B2		ECR-18-017123	21DEC2018	KW	CW

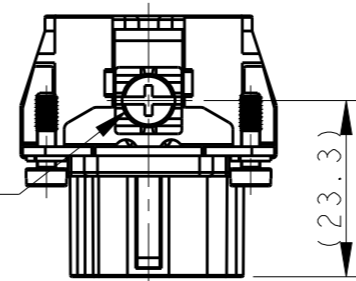
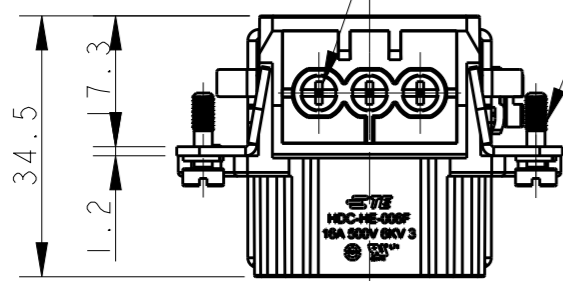


TYPE 1, T2040062201-000, WITH LOGO  
 类型 1, T2040062201-000, 带LOGO

6X M3 SCREW, RECOMMENDED  
 TIGHTENING TORQUE 0.5Nm  
 6X M3螺丝, 推荐锁紧力矩0.5Nm

4X M3 SCREW, RECOMMENDED  
 TIGHTENING TORQUE 0.5Nm  
 4X M3螺丝, 推荐锁紧力矩0.5Nm

M4 SCREW, RECOMMENDED  
 TIGHTENING TORQUE 1.2Nm  
 M4螺丝, 推荐锁紧力矩1.2Nm

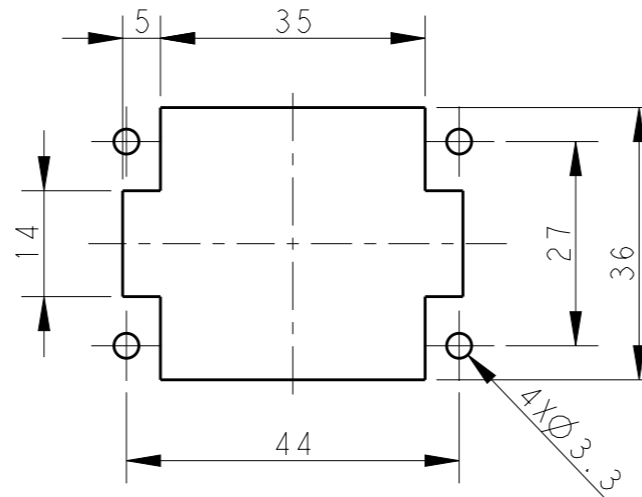
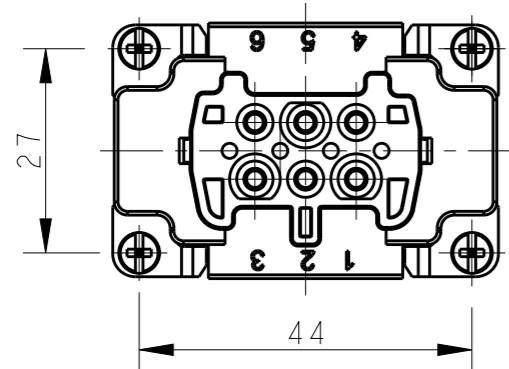


NOTES:

- TECHNICAL CHARACTERISTICS:  
 INSULATION MATERIAL: PC  
 RATED VOLTAGE: 500V  
 RATED CURRENT: 16A  
 INSULATION RESISTANCE:  $\geq 400M\Omega$   
 RATED IMPULSE VOLTAGE: 6KV  
 POLLUTION DEGREE: 3  
 FLAMMABILITY: UL94V-0  
 MATING CYCLES: 500 CYCLES  
 WIRE RANGE:  $0.5mm^2 \sim 2.5mm^2$  (AWG20-AWG14)  
 CONTACT TYPE: SCREW CLAMP (M3)

注释:

- 技术参数:  
 绝缘材料: PC  
 额定电压: 500V  
 额定电流: 16A  
 绝缘电阻:  $\geq 400M\Omega$   
 脉冲电压: 6KV  
 污染等级: 3  
 阻燃等级: UL94V-0  
 插拔次数: 500 次  
 接线范围:  $0.5mm^2 \sim 2.5mm^2$  (AWG20-AWG14)  
 接线类型: 螺丝压接 (M3)



PANEL CUT FOR INSERTS FOR USE  
 WITHOUT HOODS/ HOUSINGS  
 不使用防护外壳时芯件的安装开孔图

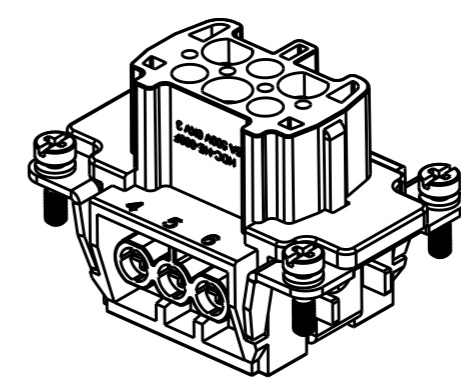
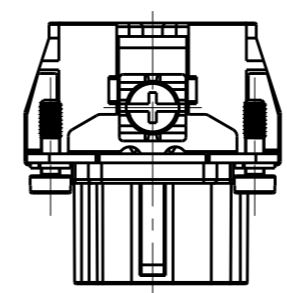
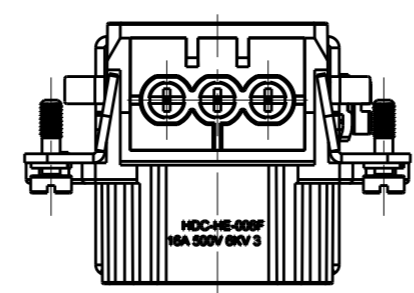
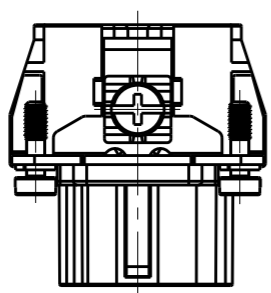
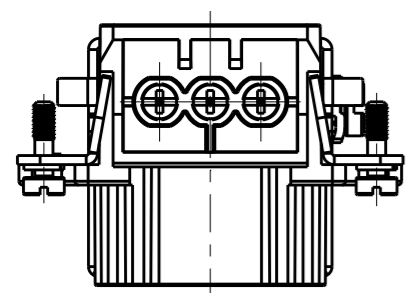
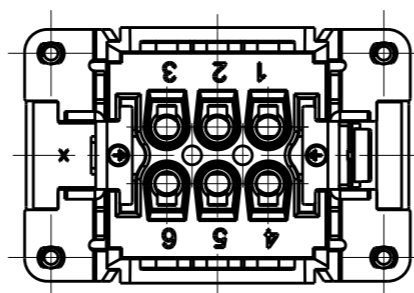
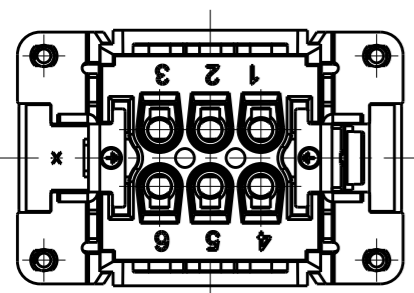
THIS DRAWING IS A CONTROLLED DOCUMENT.		DWN GINO YAO 05APR2015	TE Connectivity NAME HE-006-F			
DIMENSIONS: mm		CHK CHRIS WANG 05APR2015				
TOLERANCES UNLESS OTHERWISE SPECIFIED:		APVD XIANG XU 05APR2015				
0 PLC ±- 1 PLC ±- 2 PLC ±- 3 PLC ±- 4 PLC ±- ANGLES ±-		PRODUCT SPEC 108-137044				
MATERIAL		APPLICATION SPEC 114-137044	SIZE A3	CAGE CODE 00779	DRAWING NO C-T2040062201000	RESTRICTED TO
FINISH		WEIGHT	SCALE 1:1		SHEET 1 OF 2	REV B2
		CUSTOMER DRAWING				

REVISIONS

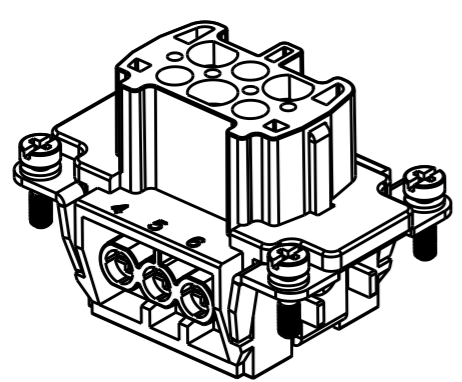
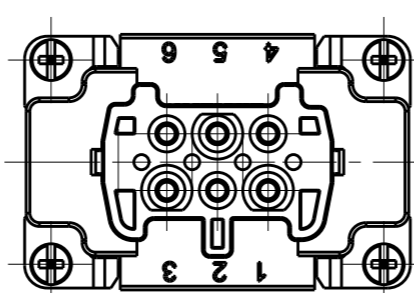
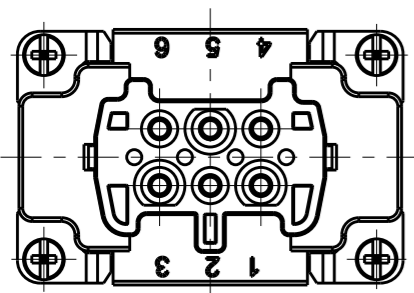
P	LTR	DESCRIPTION	DATE	DWN	APVD
		SEE SHEET 1			

NOTE:  
ALL SPEC REFER TO TYPE 1

注释:  
所有产品规范参照 TYPE 1




TYPE 3, T2049062201-000, WITHOUT LASER TE LOGO  
类型 3, T2049062201-000, 不带激光LOGO



TYPE 2, T2040062201-001, WITHOUT LASER SIDE MARK  
类型 2, T2040062201-001, 不带激光侧面标识

T2040062201-000	HE-006-F	HE-006 FEMALE INSERT HE-006 母插	TYPE 1
T2040062201-001	HE-006-F	HE-006 FEMALE INSERT, WITHOUT LASER SIDE MARK HE-006 母插, 无激光侧面标识	TYPE 2
T2049062201-000	HE-006-F	HE-006 FEMALE INSERT, WITHOUT LOGO HE-006 母插, 无LOGO	TYPE 3
PART NUMBER 料号	PART DESCRIPTION 描述		TYPE 类型

THIS DRAWING IS A CONTROLLED DOCUMENT.		DWN GINO YAO 05APR2015	 TE Connectivity				
DIMENSIONS: mm		CHK CHRIS WANG 05APR2015			NAME HE-006-F		
TOLERANCES UNLESS OTHERWISE SPECIFIED:		APVD XIANG XU 05APR2015					
0 PLC ±- 1 PLC ±- 2 PLC ±- 3 PLC ±- 4 PLC ±- ANGLES ±-		PRODUCT SPEC 108-137044	SIZE A3	CAGE CODE 00779	DRAWING NO T2040062201000	RESTRICTED TO	
MATERIAL -		FINISH -	WEIGHT -	SCALE 1:1		SHEET 2 OF 2	REV B2
		CUSTOMER DRAWING					