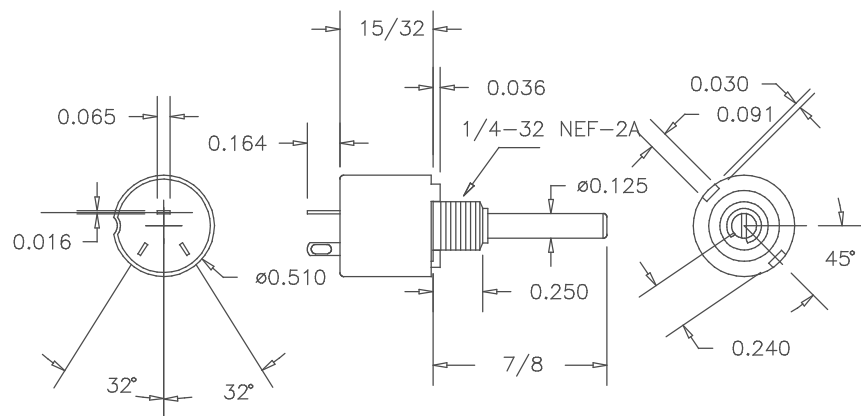


THIS DOCUMENT CONTAINS PROPRIETARY DATA OF POLARIS INDUSTRIAL ENTERPRISES, INC. NO DISCLOSURE, REPRODUCTION, OR USE OF ANY PART THERE OF MAY BE MADE EXCEPT BY WRITTEN PERMISSION.

REV.	BY	DATE	APPRVL.	P/N	RV6NAYS

SPECIFICATIONS

RESISTANCE RANGE ----- 1K,5K,10K
RESISTANCE TOLERANCE ----- ±10%
POWER RATING ----- .5 WATT @70°C
----- DERATED TO 0 WATTS AT 120°C
MECHANICAL ANGLE ----- 295°
OPERATING VOLTAGE ----- 350V SUBJECT TO POWER RATING
INSULATION RESISTANCE ----- DRY: 10K MEG OHM
----- WET: 100K MEG OHM
DIELECTRIC STRENGTH ----- 750 V RMS AT SEA LEVEL
OPERATING TORQUE ----- 0.5 OZ/IN TO 6 OZ/IN
OPERATING TEMPERATURE ----- -65°C TO +125°C
ROTATIONAL LIFE ----- 25,000 CYCLES



MATERIALS

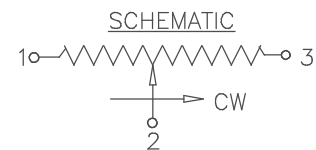
ONE PIECE HOUSING AND BUSHING
TERMINALS ----- GOLD PLATED
SHAFT ----- STAINLESS STEEL
RESISTIVE ELEMENT ----- HOT MOLDED CARBON

ENVIRONMENTAL

RESISTANCE TO SOLDERING HEAT ----- 350°C FOR 5 SECONDS
HUMIDITY RANGE ----- PER MIL-R-94
VIBRATION RANGE ----- PER MIL-R-94
SHOCK RESISTANCE ----- PER MIL-R-94
LOAD LIFE ----- 1000 Hr AT 70°C

OPTIONS

OTHER STANDARD RESISTANCE VALUES AVAILABLE
CUSTOM SHAFTS AND BUSHINGS
SPECIAL TAPERS



TOLERANCES XX = +/- .010" FRACT. = +/- 1/64" XXX = +/- .005" ANGLES = +/- 1/2" ALL SPECIFICATIONS SUBJECT TO CHANGE WITHOUT NOTICE.	SCALE	DATE:	12-7-07	ETI SYSTEMS CARLSBAD CALIFORNIA	TITLE SINGLE TURN POTENTIOMETER	PART NO. RV6NAYS
	NONE	BY	AT			
	CODE	APPR'D	19477			

THIS DOCUMENT CONTAINS PROPRIETARY DATA OF POLARIS INDUSTRIAL ENTERPRISES, INC. NO DISCLOSURE, REPRODUCTION, OR USE OF ANY PART THEREOF MAY BE MADE EXCEPT BY WRITTEN PERMISSION.

REV.	BY	DATE	APPRVL.	P/N
				RV6LAYS A

SPECIFICATIONS

RESISTANCE RANGE ----- 1K,5K,10K
 RESISTANCE TOLERANCE ----- ±10%
 POWER RATING ----- .5 WATT @70°C
 ----- DERATED TO 0 WATTS AT 120°C
 MECHANICAL ANGLE ----- 295°
 OPERATING VOLTAGE ----- 350V SUBJECT TO POWER RATING
 INSULATION RESISTANCE ----- DRY: 10K MEG OHM
 ----- WET: 100K MEG OHM
 DIELECTRIC STRENGTH ----- 750 V RMS AT SEA LEVEL
 OPERATING TORQUE ----- 0.5 OZ/IN TO 6 OZ/IN
 OPERATING TEMPERATURE ----- -65°C TO +125°C
 ROTATIONAL LIFE ----- 25,000 CYCLES

MATERIALS

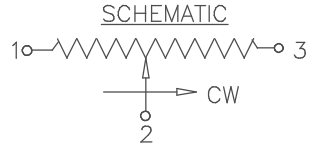
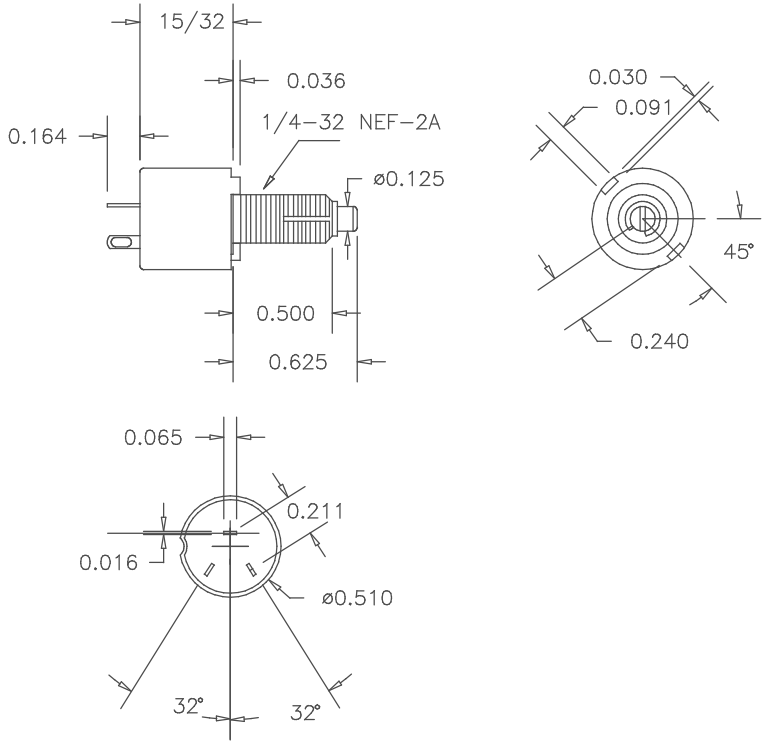
ONE PIECE HOUSING AND BUSHING
 TERMINALS ----- GOLD PLATED
 SHAFT ----- STAINLESS STEEL
 RESISTIVE ELEMENT ----- HOT MOLDED CARBON

ENVIRONMENTAL

RESISTANCE TO SOLDERING HEAT ----- 350°C FOR 5 SECONDS
 HUMIDITY RANGE ----- PER MIL-R-94
 VIBRATION RANGE ----- PER MIL-R-94
 SHOCK RESISTANCE ----- PER MIL-R-94
 LOAD LIFE ----- 1000 Hr AT 70°C

OPTIONS

OTHER STANDARD RESISTANCE VALUES AVAILABLE
 CUSTOM SHAFTS AND BUSHINGS
 SPECIAL TAPERS



TOLERANCES XX = +/- .010" FRACT. = +/- 1/64" XXX = +/- .005" ANGLES = +/- 1/2" ALL SPECIFICATIONS SUBJECT TO CHANGE WITHOUT NOTICE.	SCALE	DATE: 12-7-07		ETI SYSTEMS CARLSBAD CALIFORNIA	TITLE SINGLE TURN POTENTIOMETER	PART NO. RV6LAYS A
	NONE	BY AT				
		APPRV'D				
	CODE	IDENT: 19477				