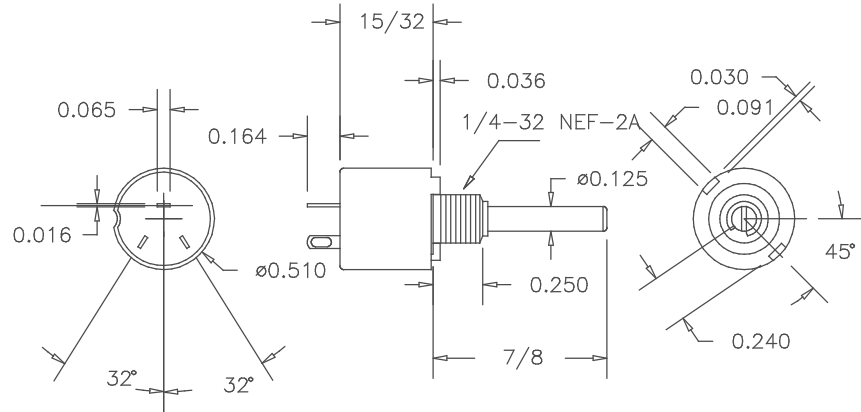


THIS DOCUMENT CONTAINS PROPRIETARY DATA OF POLARIS INDUSTRIAL ENTERPRISES, INC. NO DISCLOSURE, REPRODUCTION, OR USE OF ANY PART THERE OF MAY BE MADE EXCEPT BY WRITTEN PERMISSION.

| | | | | | |
|------|----|------|---------|-----|---------|
| REV. | BY | DATE | APPRVL. | P/N | RV6NAYS |
| | | | | | |

SPECIFICATIONS

RESISTANCE RANGE ----- 1K,5K,10K
 RESISTANCE TOLERANCE ----- ±10%
 POWER RATING ----- .5 WATT @70°C
 DERATED TO 0 WATTS AT 120°C
 MECHANICAL ANGLE ----- 295°
 OPERATING VOLTAGE ----- 350V SUBJECT TO POWER RATING
 INSULATION RESISTANCE ----- DRY: 10K MEG OHM
 WET: 100K MEG OHM
 DIELECTRIC STRENGTH ----- 750 V RMS AT SEA LEVEL
 OPERATING TORQUE ----- 0.5 OZ/IN TO 6 OZ/IN
 OPERATING TEMPERATURE ----- -65°C TO +125°C
 ROTATIONAL LIFE ----- 25,000 CYCLES



MATERIALS

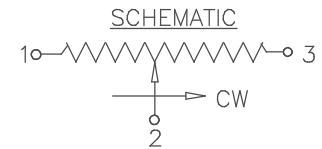
ONE PIECE HOUSING AND BUSHING
 TERMINALS ----- GOLD PLATED
 SHAFT ----- STAINLESS STEEL
 RESISTIVE ELEMENT ----- HOT MOLDED CARBON

ENVIRONMENTAL

RESISTANCE TO SOLDERING HEAT ----- 350°C FOR 5 SECONDS
 HUMIDITY RANGE ----- PER MIL-R-94
 VIBRATION RANGE ----- PER MIL-R-94
 SHOCK RESISTANCE ----- PER MIL-R-94
 LOAD LIFE ----- 1000 Hr AT 70°C

OPTIONS

OTHER STANDARD RESISTANCE VALUES AVAILABLE
 CUSTOM SHAFTS AND BUSHINGS
 SPECIAL TAPERS



| | | | | | |
|--|-------------------|---------------|---|---------------|----------|
| <p>TOLERANCES XX = +/- .010" FRACT. = +/- 1/64" XXX = +/- .005" ANGLES = +/- 1/2" ALL SPECIFICATIONS SUBJECT TO CHANGE WITHOUT NOTICE.</p> | SCALE | DATE: 12-7-07 | <p>ETI SYSTEMS CARLSBAD CALIFORNIA</p> | TITLE | PART NO. |
| | | BY AT | | SINGLE TURN | RV6NAYS |
| | NONE | APPR'D | | POTENTIOMETER | |
| | CODE IDENT: 19477 | | | | |

THIS DOCUMENT CONTAINS PROPRIETARY DATA OF POLARIS INDUSTRIAL ENTERPRISES, INC. NO DISCLOSURE, REPRODUCTION, OR USE OF ANY PART THERE OF MAY BE MADE EXCEPT BY WRITTEN PERMISSION.

| REV. | BY | DATE | APPRVL. | P/N | RV6LAYSA |
|------|----|------|---------|-----|----------|
| | | | | | |

SPECIFICATIONS

RESISTANCE RANGE ----- 1K,5K,10K
RESISTANCE TOLERANCE ----- ±10%
POWER RATING ----- .5 WATT @70°C
 DERATED TO 0 WATTS AT 120°C
MECHANICAL ANGLE ----- 295°
OPERATING VOLTAGE ----- 350V SUBJECT TO POWER RATING
INSULATION RESISTANCE ----- DRY: 10K MEG OHM
 WET: 100K MEG OHM
DIELECTRIC STRENGTH ----- 750 V RMS AT SEA LEVEL
OPERATING TORQUE ----- 0.5 OZ/IN TO 6 OZ/IN
OPERATING TEMPERATURE ----- -65°C TO +125°C
ROTATIONAL LIFE ----- 25,000 CYCLES

MATERIALS

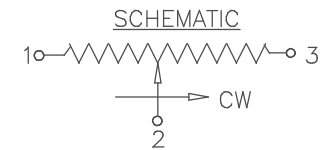
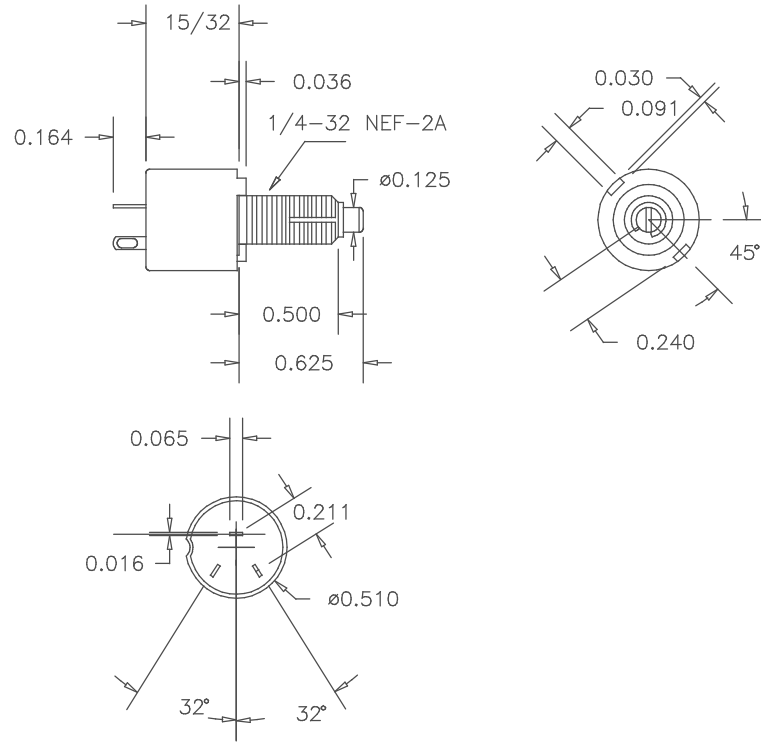
ONE PIECE HOUSING AND BUSHING
TERMINALS ----- GOLD PLATED
SHAFT ----- STAINLESS STEEL
RESISTIVE ELEMENT ----- HOT MOLDED CARBON

ENVIRONMENTAL

RESISTANCE TO SOLDERING HEAT ----- 350°C FOR 5 SECONDS
HUMIDITY RANGE ----- PER MIL-R-94
VIBRATION RANGE ----- PER MIL-R-94
SHOCK RESISTANCE ----- PER MIL-R-94
LOAD LIFE ----- 1000 Hr AT 70°C

OPTIONS

OTHER STANDARD RESISTANCE VALUES AVAILABLE
CUSTOM SHAFTS AND BUSHINGS
SPECIAL TAPERS



| | | | | | |
|--|-------|---------------|------------------------------------|---------------------------------------|----------------------|
| TOLERANCES XX = +/- .010" FRACT. = +/- 1/64" XXX = +/- .005" ANGLES = +/- 1/2" ALL SPECIFICATIONS SUBJECT TO CHANGE WITHOUT NOTICE. | SCALE | DATE: 12-7-07 | ETI SYSTEMS CARLSBAD CALIFORNIA | TITLE SINGLE TURN POTENTIOMETER | PART NO. RV6LAYSA |
| | NONE | BY AT | | | |
| | CODE | APP RV'D | IDENT: 19477 | | |