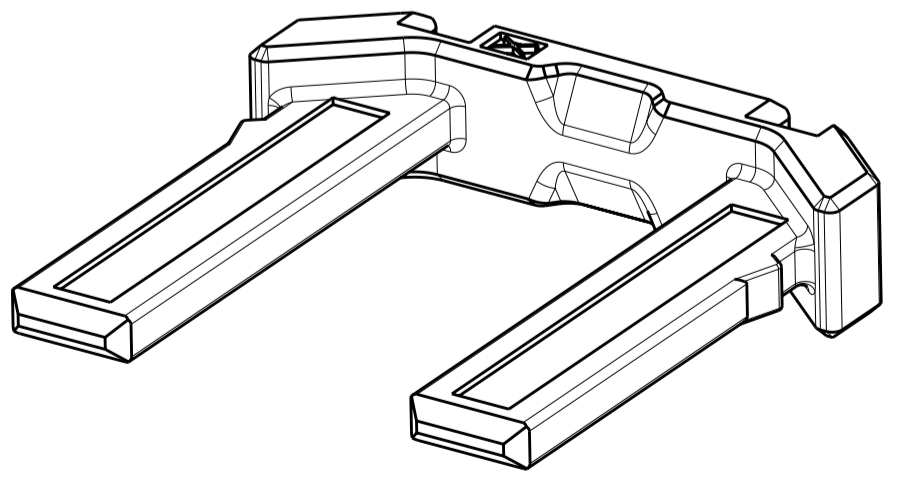
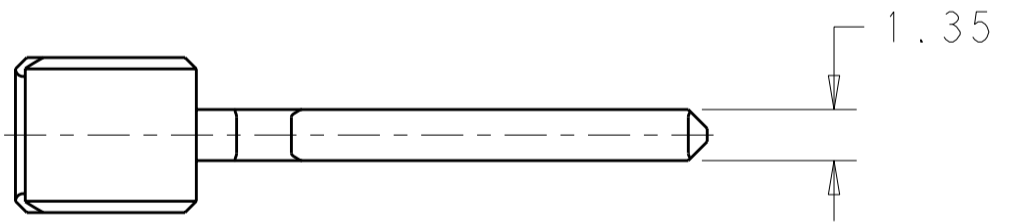
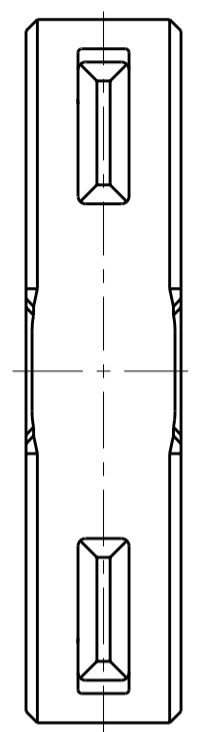
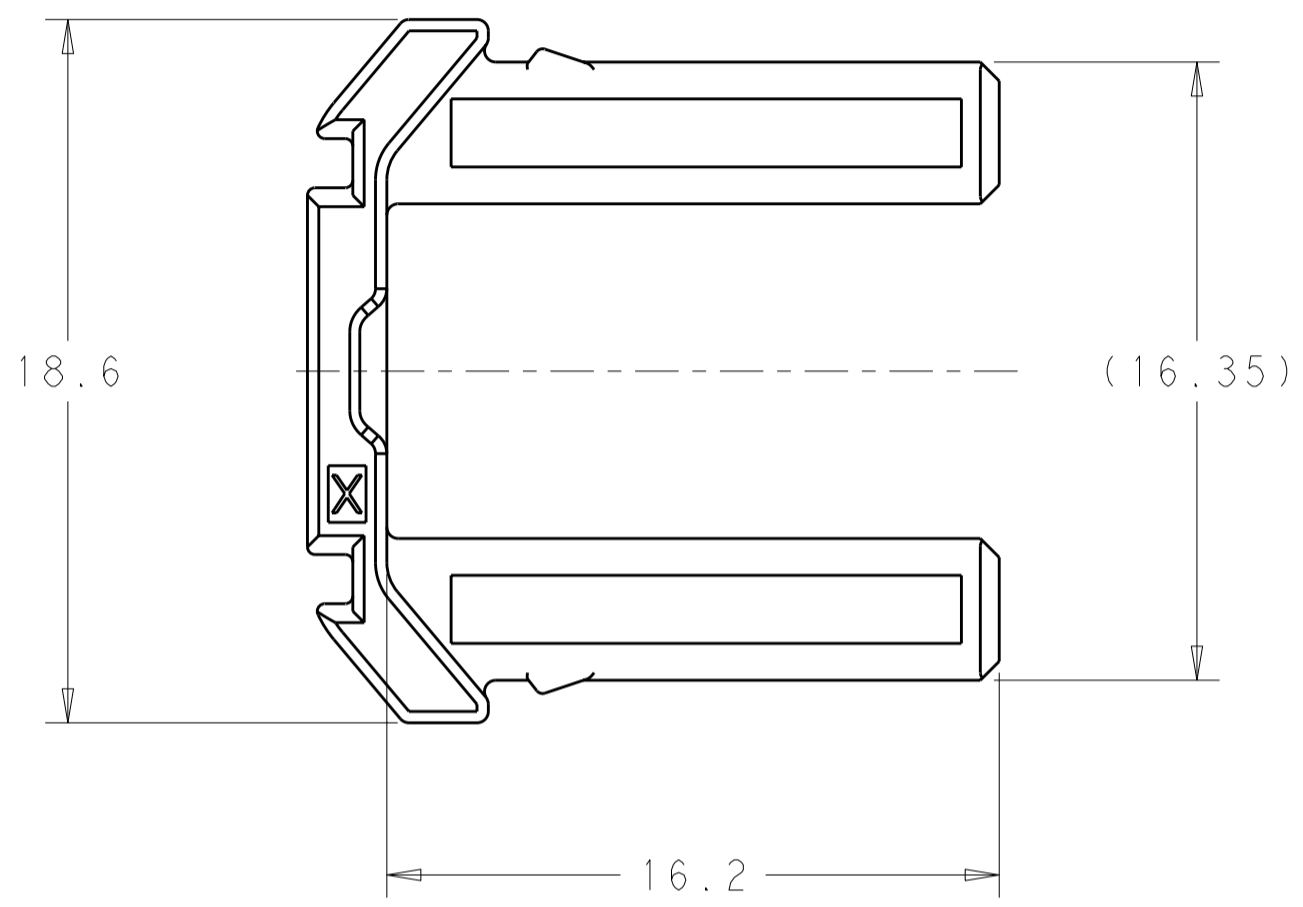
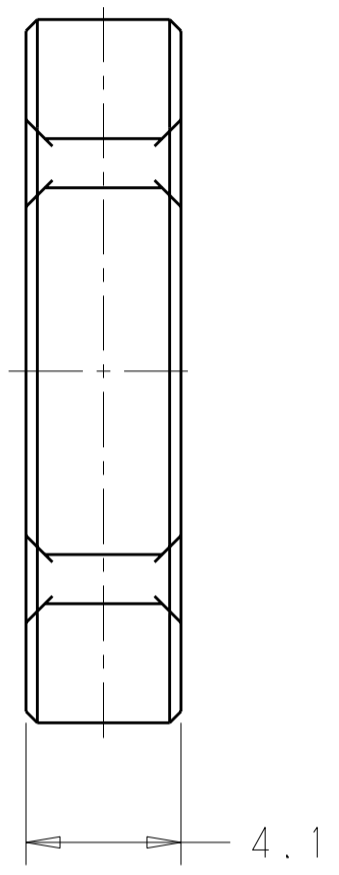


THIS DRAWING IS UNPUBLISHED. RELEASED FOR PUBLICATION 20  
 © COPYRIGHT 20 ALL RIGHTS RESERVED.

LOC	DIST	REVISIONS			
P	LTR	DESCRIPTION	DATE	DWN	APVD
	A	RELEASED PER ECO-12-001655	30JAN2012	AJV	AJV
	B	REV PER ECR-12-008046	01MAY2012	MBH	AV



1. MATERIAL: NYLON 6/6, 35% GLASS FILLED, COLOR: NATURAL
2. DELIVERY CONDITION: LOOSE PIECE, BULK PACKAGED.

2138417-1  
PART NUMBER

THIS DRAWING IS A CONTROLLED DOCUMENT.		DWN M. HARISH 25FEB2011	TE Connectivity	
DIMENSIONS: mm		CHK A. J. VASBINDER 25FEB2011		
		APVD A. J. VASBINDER 25FEB2011	NAME	
TOLERANCES UNLESS OTHERWISE SPECIFIED:		PRODUCT SPEC	SECONDARY LOCK MCP CONTACTS	
0 PLC ±0		APPLICATION SPEC	SIZE	RESTRICTED TO
1 PLC ±0.3		WEIGHT	A200779	-
2 PLC ±0.1		CUSTOMER DRAWING	CAGE CODE	DRAWING NO
3 PLC ±0.05		SCALE 5:1	G-2138417	SHEET 1 OF 1
4 PLC ±0.0				REV B
ANGLES ±1°				
FINISH				