

Gate Driver Providing Galvanic isolation Series

Isolation voltage 2500Vrms

1ch Gate Driver Providing Galvanic Isolation

BM60014FV-C

General Description

The BM60014FV-C is a gate driver with an isolation voltage of 2500Vrms, I/O delay time of 120ns, and minimum input pulse width of 70ns. It incorporates the fault signal output functions, Under-voltage Lockout (UVLO) function and Miller clamp function.

Key Specifications

■ Isolation voltage:	2500Vrms
■ Maximum gate drive voltage:	24V
■ I/O delay time:	120ns(Max)
■ Minimum input pulse width:	70ns(Max)

Features

- AEC-Q100 Qualified^(Note1)
 - Providing Galvanic Isolation
 - Active Miller Clamping
 - Fault signal output function
 - Under-voltage Lockout function
 - UL1577 Recognized:File No. E356010
- (Note1: Grade1)

Package

SSOP-B20W

W(Typ) x D(Typ) x H(Max)
6.50mm x 8.10mm x 2.01mm

Applications

- IGBT Gate Driver
- MOSFET Gate Driver



Typical Application Circuits

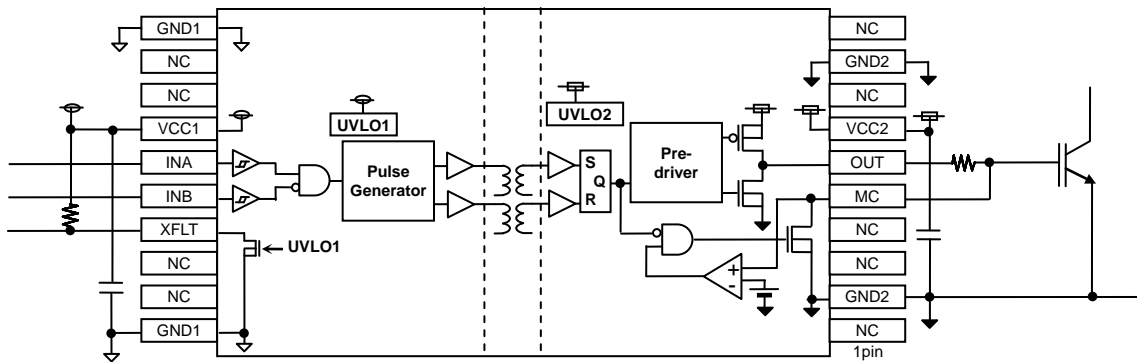


Figure 1. Application Circuits (IGBT Gate Driver)

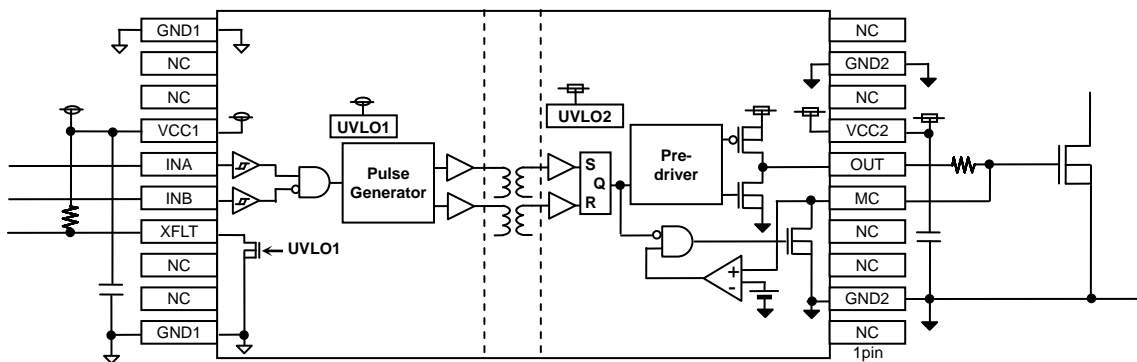


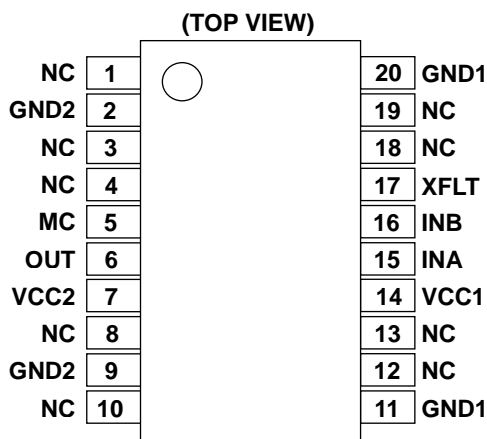
Figure 2. Application Circuits (MOSFET Gate Driver)

○Product structure : Silicon integrated circuit ○This product has no designed protection against radioactive rays

Recommended Range of External Constants

Pin Name	Symbol	Recommended Value			Unit
		Min.	Typ.	Max.	
VCC1	C _{VCC1}	0.1	1.0	-	μF
VCC2	C _{VCC2}	0.33	-	-	μF

Pin Configurations



Pin Descriptions

Pin No.	Pin Name	Function
1	NC	No Connection
2	GND2	Output-side ground pin
3	NC	No Connection
4	NC	No Connection
5	MC	Output pin for Miller Clamp
6	OUT	Output pin
7	VCC2	Output-side power supply pin
8	NC	No Connection
9	GND2	Output-side ground pin
10	NC	No Connection
11	GND1	Input-side ground pin
12	NC	No Connection
13	NC	No Connection
14	VCC1	Input-side power supply pin
15	INA	Control input pin A
16	INB	Control input pin B
17	XFLT	Fault signal output pin
18	NC	No Connection
19	NC	No Connection
20	GND1	Input-side ground pin

Description of pins and cautions on layout of board

1) VCC1 (Input-side power supply pin)

The VCC1 pin is a power supply pin on the input side. To suppress voltage fluctuations due to the current to drive internal transformers, connect a bypass capacitor between the VCC1 and the GND1 pins.

2) GND1 (Input-side ground pin)

The GND1 pin is a ground pin on the input side.

3) VCC2 (Output-side positive power supply pin)

The VCC2 pin is a power supply pin on the output side. To reduce voltage fluctuations due to OUT pin output current, connect a bypass capacitor between the VCC2 and the GND2 pins.

4) GND2 (Output-side ground pin)

The GND2 pin is a ground pin on the output side.

5) INA, INB (Control input terminal)

The INA and INB pins are used to determine output logic.

INB	INA	OUT
H	L	L
H	H	L
L	L	L
L	H	H

6) OUT (Output pin)

The OUT pin is used to drive the gate of a power device.

7) MC (Output pin for Miller Clamp)

The MC pin is for preventing the increase in gate voltage due to the Miller current of the power device connected to the OUT pin. If the Miller Clamp function is not used, short-circuit the MC pin to the GND2 pin.

8) XFLT (Fault signal output pin)

The XFLT pin is an open drain pin used to output a fault signal when a fault occurs (i.e., when the Under-voltage Lockout function (UVLO1) is activated).

Conditions	XFLT
While in normal operation	L
When an Fault occurs (When UVLO1 is activated)	Hi-Z

Description of functions and examples of constant setting

1) Miller Clamp function

When INA=L and OUT pin voltage < V_{MCON} (typ 2V), the internal MOSFET of the MC pin is turned ON.

INA	MC	Internal MOSFET of the MC pin
L	less than V_{MCON}	ON
H	X	OFF

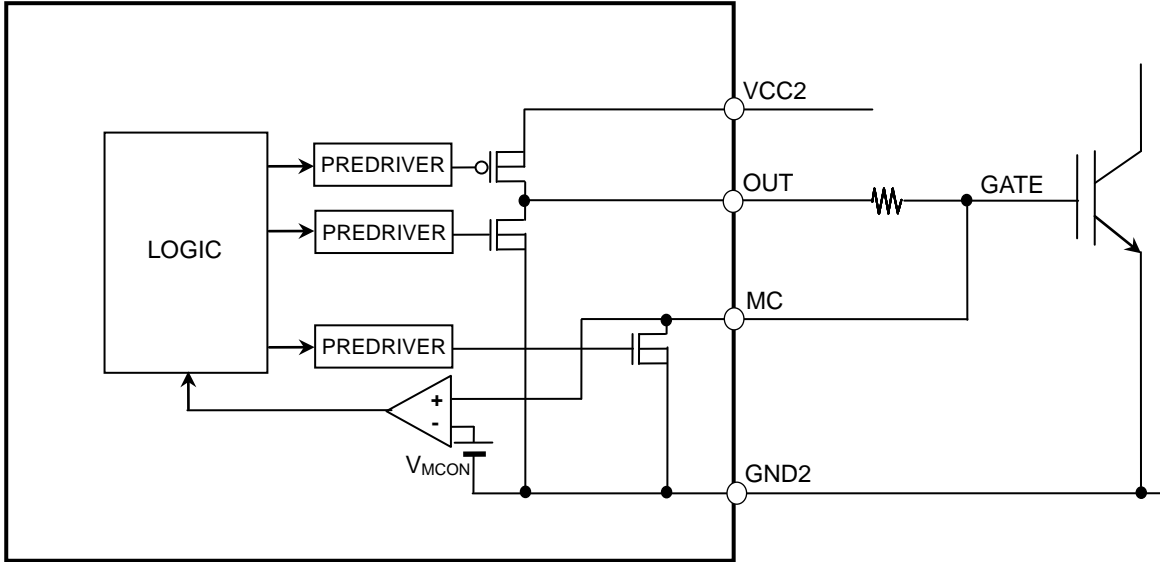


Figure 3. Block diagram of Miller Clamp function.

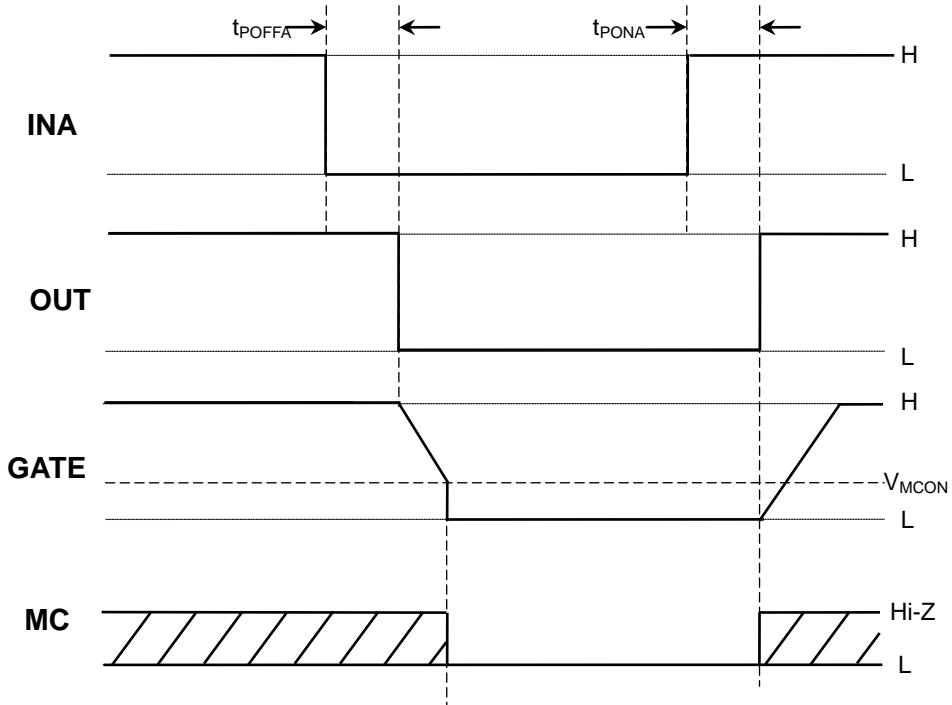


Figure 4. Timing chart of Miller Clamp function

2) Under-voltage Lockout (UVLO) function

The BM60014FV-C incorporates the Under-voltage Lockout (UVLO) function both on the low and the high voltage sides. When the power supply voltage drops to the UVLO ON voltage (low voltage side typ 3.4V, high voltage side voltage typ 9.5V), the OUT pin will output the "L" signal. In addition, to prevent malfunctions due to noises, a mask time of $t_{UVLO1MSK}$ (typ 2.5 μ s) and $t_{UVLO2MSK}$ (typ 2.85 μ s) are set on both the low and the high voltage sides.

This IC does not have a function which feeds back the high voltage side state to the low voltage side. After the high voltage side UVLO is released, the input signal will take effect from the time after the input signal switches.

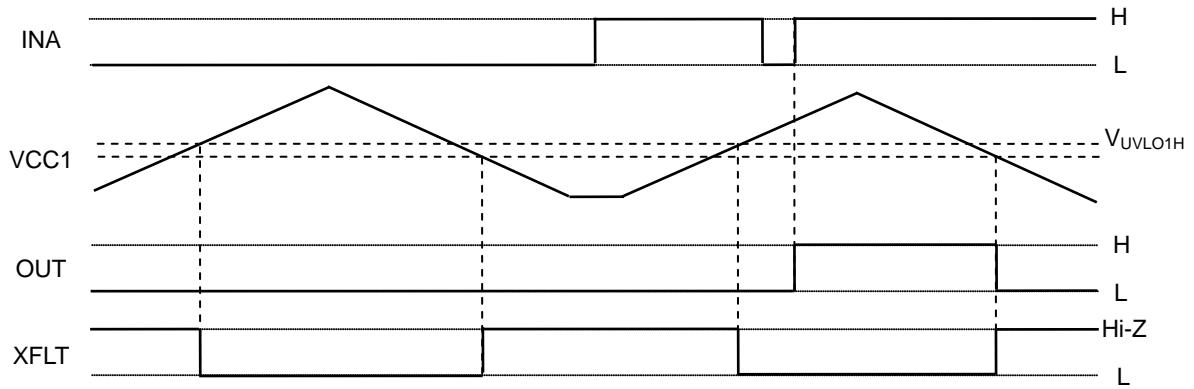


Figure 5. Input-side UVLO Function Operation Timing Chart

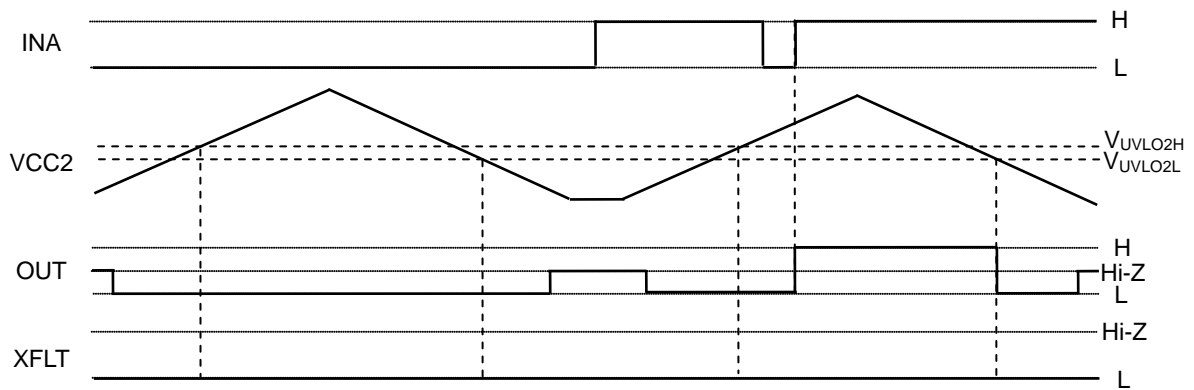


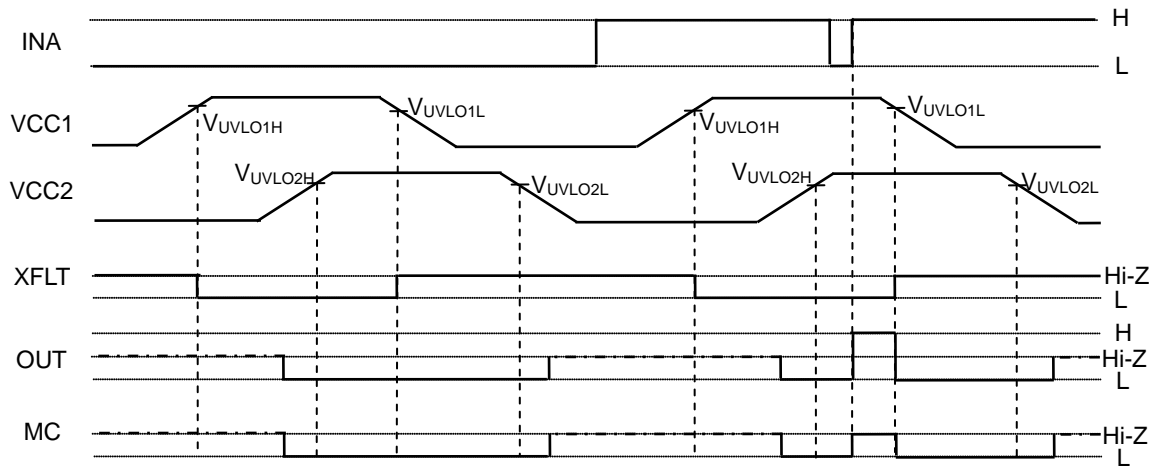
Figure 6. Output-side UVLO Function Operation Timing Chart

3) I/O condition table

No.	Status	Input				Output		
		VCC1	VCC2	INB	INA	OUT	MC	XFLT
1	VCC1UVLO	UVLO	X	X	X	L	L	H
2	VCC2UVLO	X	UVLO	X	X	L	L	L
3	INB Active	O	O	H	X	L	L	L
4	Normal operation L input	O	O	L	L	L	L	L
5	Normal operation H input	O	O	L	H	H	Hi-Z	L

O: VCC1 or VCC2 > UVLO, X: Don't care

4) Power supply startup / shutoff sequence



-----: Since the VCC2 to GND2 pin voltage is low and the output MOS does not turn ON, the output pins become Hi-Z.

Figure 7. Power Supply Startup / Shutoff Sequence

Absolute Maximum Ratings

Parameter	Symbol	Limits	Unit
Input-side supply voltage	V _{CC1}	-0.3~+7.0 ^(Note 1)	V
Output-side supply voltage	V _{CC2}	-0.3~+30.0 ^(Note 2)	V
INA pin input voltage	V _{INA}	-0.3~+V _{CC1} +0.3 or +7.0 ^(Note 3)	V
INB pin input voltage	V _{INB}	-0.3~+V _{CC1} +0.3 or +7.0 ^(Note 1)	V
OUT pin output current (Peak 10μs)	I _{OUTPEAK}	5.0 ^(Note 3)	A
XFLT pin output current	I _{XFLT}	10	mA
Power dissipation	P _d	1.19 ^(Note 4)	W
Operating temperature range	T _{opr}	-40~+125	°C
Storage temperature range	T _{stg}	-55~+150	°C
Junction temperature	T _{jmax}	+150	°C

(Note 1) Relative to GND1.

(Note 2) Relative to GND2.

(Note 3) Should not exceed P_d and T_j=150°C(Note 4) Derate by 9.5mW/°C when operating above T_a=25°C. Mounted on a glass epoxy of 70mm × 70mm × 1.6mm.

Caution: Operating the IC over the absolute maximum ratings may damage the IC. The damage can either be a short circuit between pins or an open circuit between pins and the internal circuitry. Therefore, it is important to consider circuit protection measures, such as adding a fuse, in case the IC is operated over the absolute maximum ratings.

Recommended Operating Ratings

Parameter	Symbol	Min.	Max.	Units
Input-side supply voltage	V _{CC1} ^(Note 5)	4.5	5.5	V _{CC1} ^(Note 5)
Output-side supply voltage	V _{CC2} ^(Note 6)	10	24	V _{CC2} ^(Note 6)

(Note 5) Relative to GND1.

(Note 6) Relative to GND2.

Insulation Related Characteristics

Parameter	Symbol	Characteristic	Units
Insulation Resistance (V _{IO} =500V)	R _S	>10 ⁹	Ω
Insulation Withstand Voltage / 1min	V _{ISO}	2500	V _{rms}
Insulation Test Voltage / 1sec	V _{ISO}	3000	V _{rms}

Electrical Characteristics

(Unless otherwise specified $T_a = -40^{\circ}\text{C}$ to 125°C , $V_{CC1} = 4.5\text{V}$ to 5.5V , $V_{CC2} = 10\text{V}$ to 24V)

Parameter	Symbol	Min.	Typ.	Max.	Unit	Conditions
General						
Input side circuit current 1	I_{CC11}	0.06	0.14	0.22	mA	
Input side circuit current 2	I_{CC12}	0.10	0.20	0.30	mA	INA =10kHz, Duty=50%
Input side circuit current 3	I_{CC13}	0.15	0.30	0.45	mA	INA =20kHz, Duty=50%
Output side circuit current 1	I_{CC21}	0.26	0.44	0.62	mA	OUT=L
Output side circuit current 2	I_{CC22}	0.22	0.38	0.57	mA	OUT=H
Logic block						
Logic high level input voltage	V_{INH}	2.0	-	V_{CC1}	V	INA, INB
Logic low level input voltage	V_{INL}	0	-	0.8	V	INA, INB
Logic pull-down resistance	R_{IND}	25	50	100	k Ω	INA, INB
Logic input minimum pulse width	t_{INMIN}	-	-	70	ns	INA, INB
Output						
OUT ON resistance (Source)	R_{ONH}	0.4	0.9	2.0	Ω	$I_{OUT} = -40\text{mA}$
OUT ON resistance (Sink)	R_{ONL}	0.2	0.6	1.3	Ω	$I_{OUT} = 40\text{mA}$
OUT maximum current (Source)	$I_{OUTMAXH}$	3.0	4.5	-	A	$V_{CC2} = 15\text{V}$, Guaranteed by design
OUT maximum current (Sink)	$I_{OUTMAXL}$	3.0	3.9	-	A	$V_{CC2} = 15\text{V}$, Guaranteed by design
Turn ON time	t_{PONA}	70	90	120	ns	INA=PWM, INB=L
	t_{PONB}	65	85	115	ns	INA=H, INB=PWM
Turn OFF time	t_{POFFA}	70	90	120	ns	INA=PWM, INB=L
	t_{POFFB}	75	95	125	ns	INA=H, INB=PWM
Propagation distortion	t_{PDISTA}	-25	0	25	ns	$t_{POFFA} - t_{PONA}$
	t_{PDISTB}	-15	10	35	ns	$t_{POFFB} - t_{PONB}$
Rise time	t_{RISE}	-	50	-	ns	10nF between OUT-GND2
Fall time	t_{FALL}	-	50	-	ns	10nF between OUT-GND2
MC ON resistance	R_{ONMC}	0.20	0.65	1.40	Ω	$I_{MC} = 40\text{mA}$
MC ON threshold voltage	V_{MCON}	1.8	2	2.2	V	
Common Mode Transient Immunity	CM	100	-	-	kV/ μs	Guaranteed by design
Protection functions						
VCC1 UVLO OFF voltage	V_{UVLO1H}	3.35	3.50	3.65	V	
VCC1 UVLO ON voltage	V_{UVLO1L}	3.25	3.40	3.55	V	
VCC1 UVLO mask time	$t_{UVLO1MSK}$	1.0	2.5	5.0	μs	
VCC2 UVLO OFF voltage	V_{UVLO2H}	9.0	9.5	10.0	V	
VCC2 UVLO ON voltage	V_{UVLO2L}	8.0	8.5	9.0	V	
VCC2 UVLO mask time	$t_{UVLO2MSK}$	1.00	2.85	5.00	μs	
XFLT output L voltage	V_{XFLT}	-	0.10	0.25	V	$I_{XFLT} = 5\text{mA}$

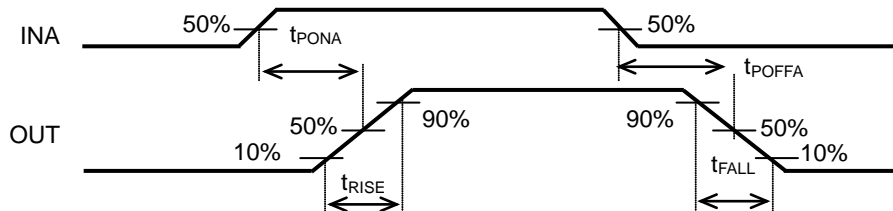


Figure 8. IN-OUT Timing Chart

Typical Performance Curves

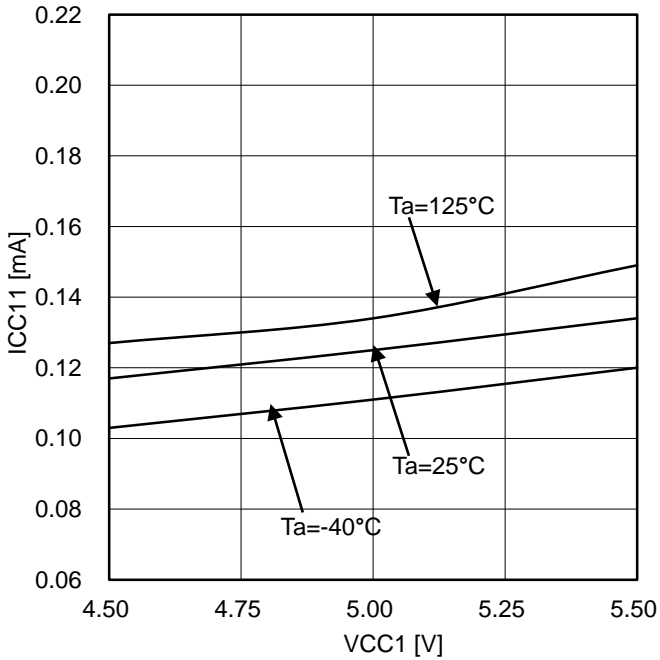


Figure 9. Input Side Circuit Current vs Input Side Supply Voltage

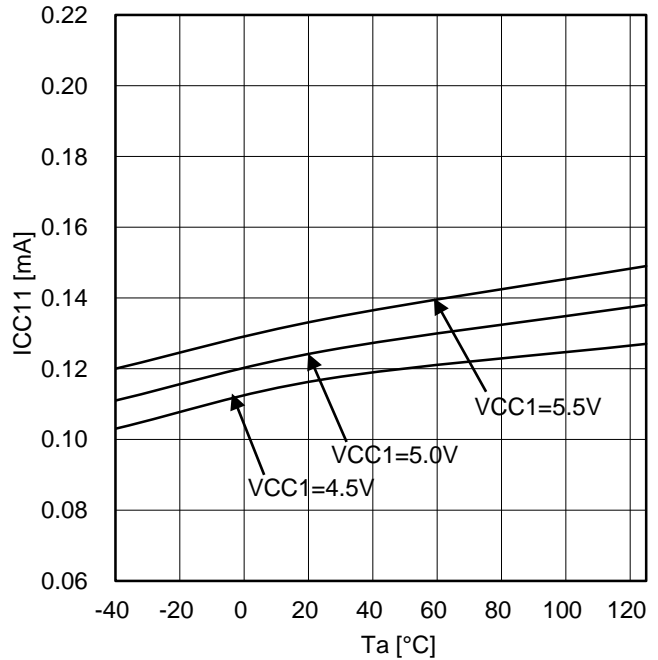


Figure 10. Input Side Circuit Current vs Temperature

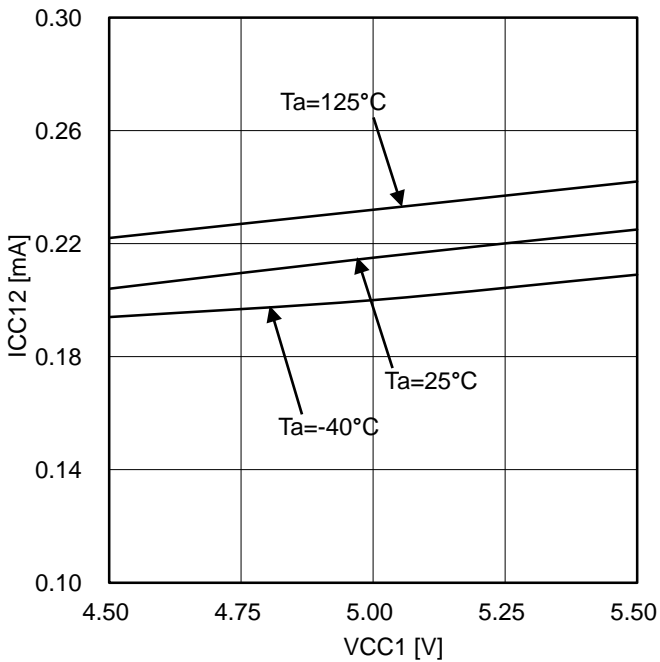


Figure 11. Input Side Circuit Current vs Input Side Supply Voltage (at INA=10kHz, Duty=50%)

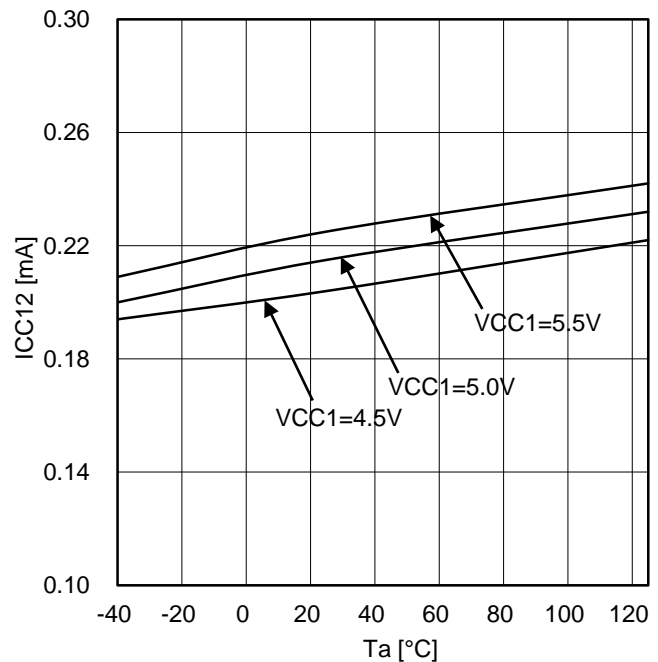


Figure 12. Input Side Circuit Current vs Temperature (at INA=10kHz, Duty=50%)

Typical Performance Curves - continued

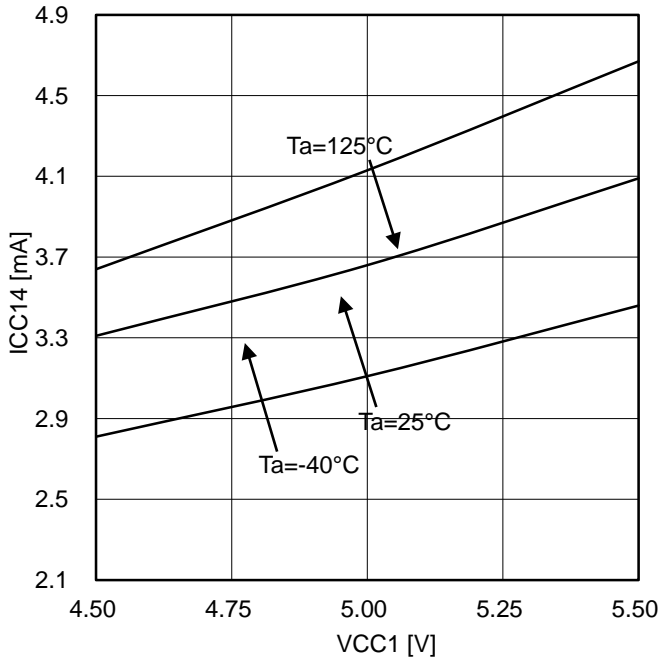


Figure 13. Input Side Circuit Current vs Input Side Supply Voltage (INA=20kHz, Duty=50%)

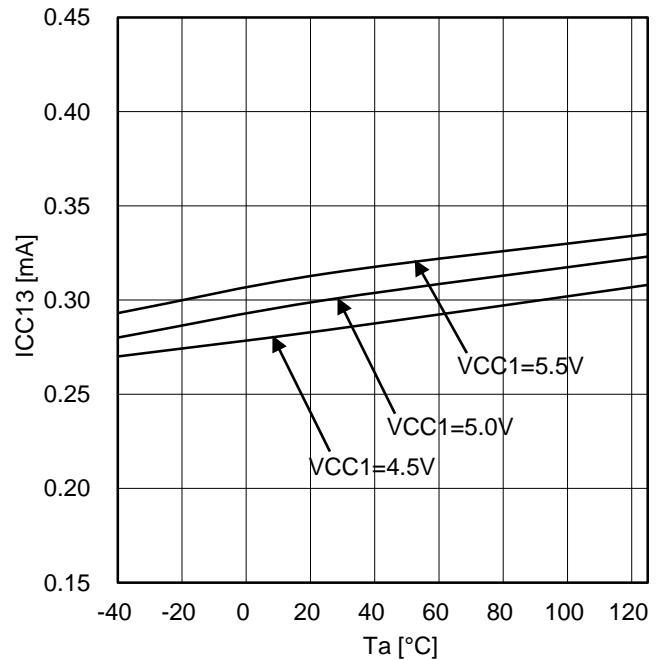


Figure 14. Input Side Circuit Current vs Temperature (INA=20kHz, Duty=50%)

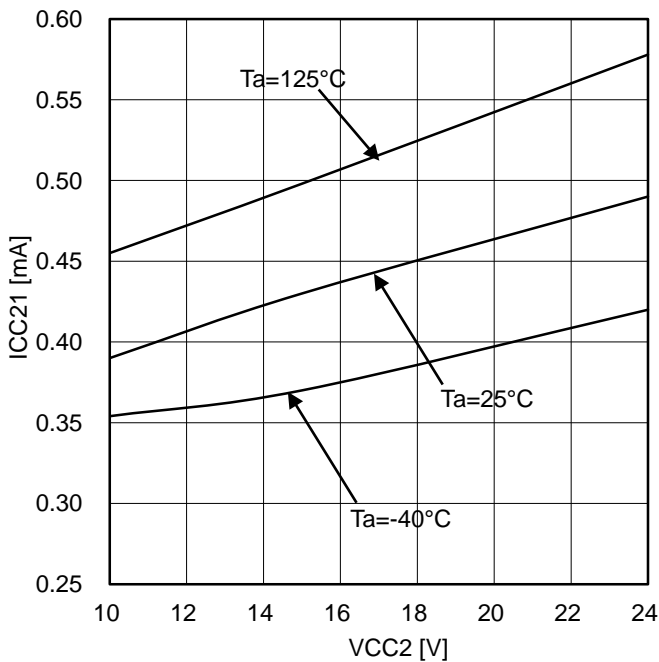


Figure 15. Output Side Circuit Current vs Output Side Supply Voltage (at OUT=L)

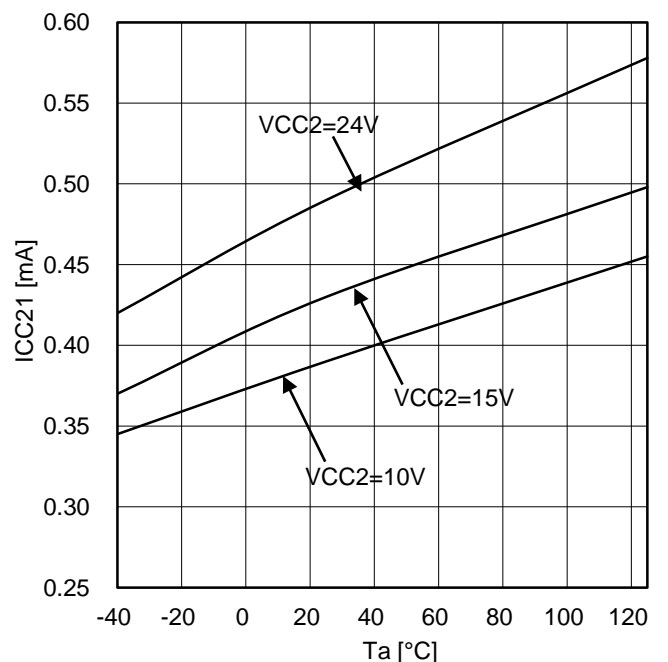


Figure 16. Output Side Circuit Current vs Temperature (at OUT=L)

Typical Performance Curves - continued

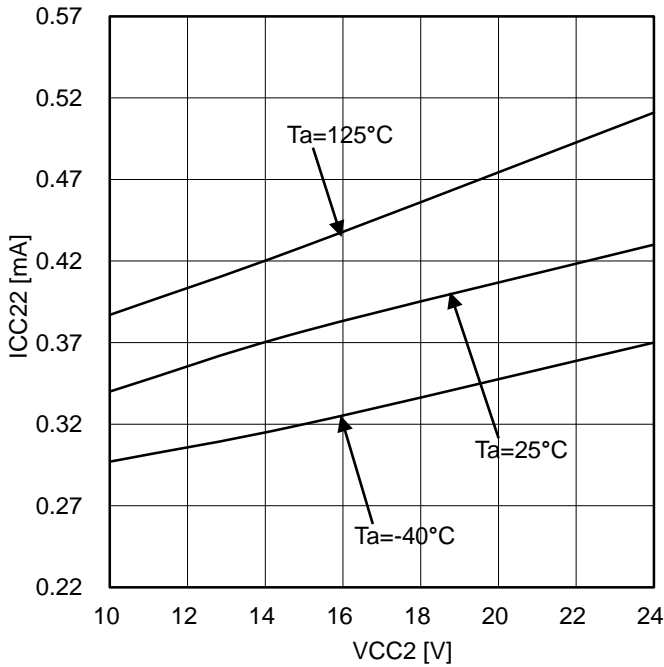


Figure 17. Output Side Circuit Current vs Output Side Supply Voltage (at OUT=H)

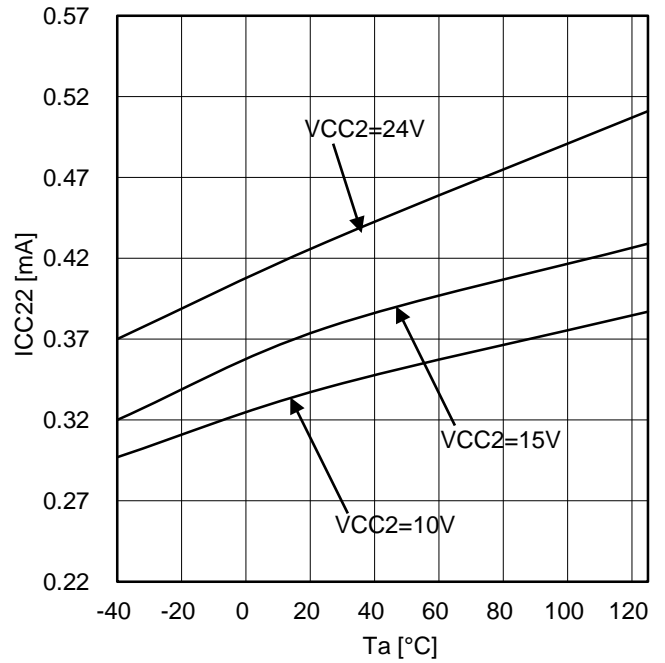


Figure 18. Output Side Circuit Current vs Temperature (at OUT=H)

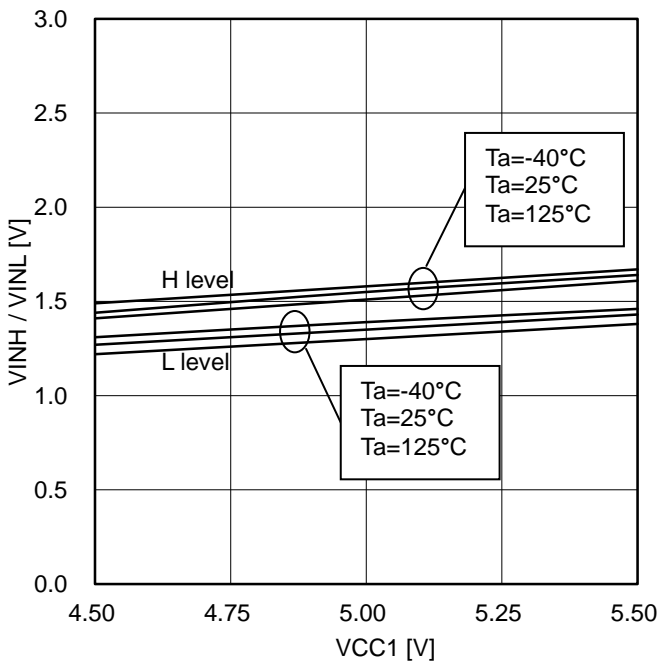


Figure 19. Logic (INA/INB) High/Low Level Voltage vs Input Side Supply Voltage

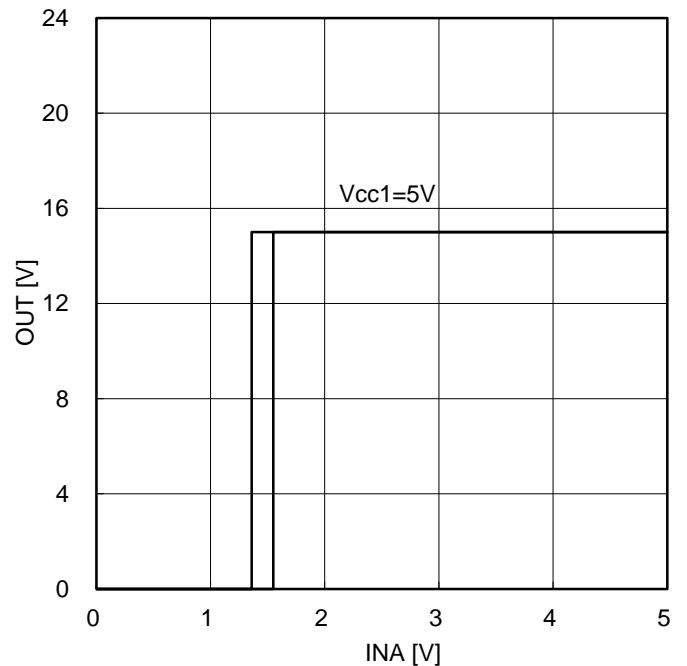


Figure 20. OUT vs Logic (INA) Input Voltage (VCC1=5V, VCC2=15V, Ta=25°C)

Typical Performance Curves - continued

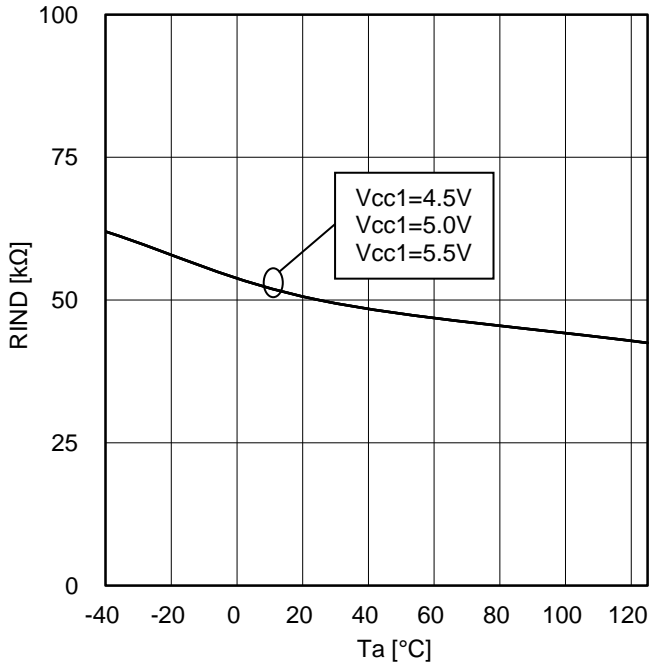


Figure 21. Logic Pull-down Resistance vs Temperature

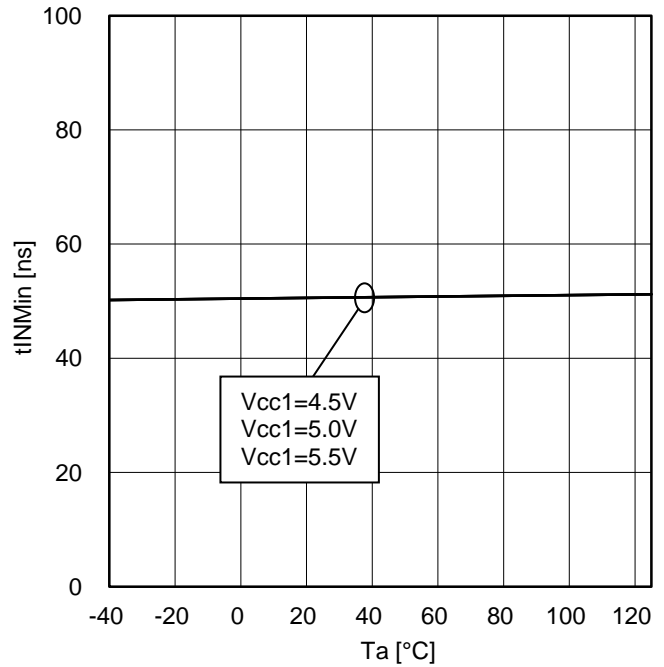


Figure 22. Logic (INA) Input Minimum Pulse Width vs Temperature

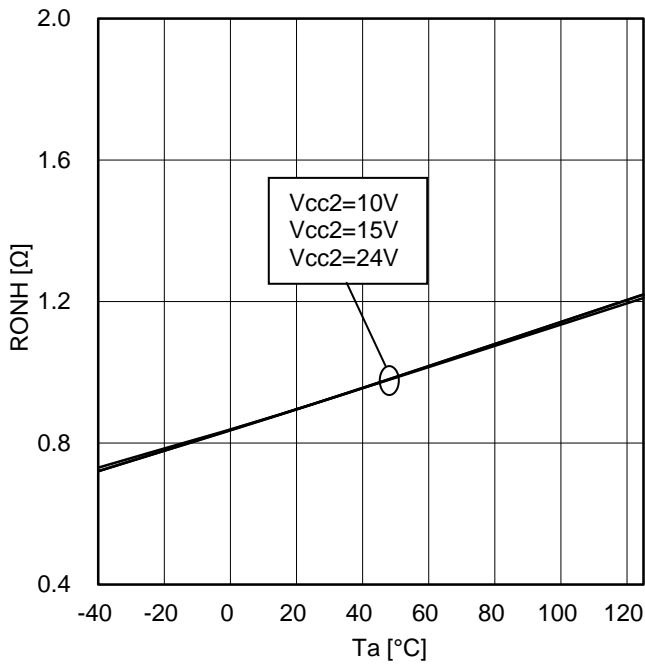


Figure 23. OUT ON Resistance (Source) vs Temperature

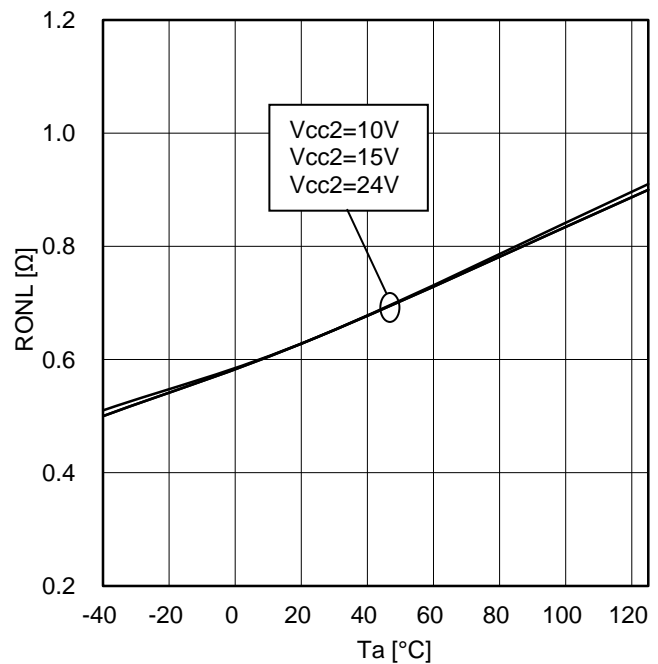


Figure 24. OUT ON Resistance (Sink) vs Temperature

Typical Performance Curves - continued

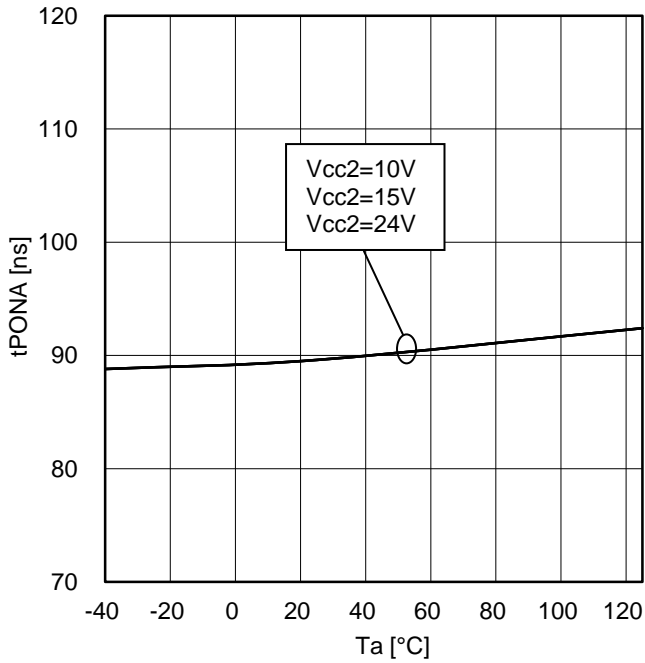


Figure 25. Turn ON Time vs Temperature (INA=PWM, INB=L)

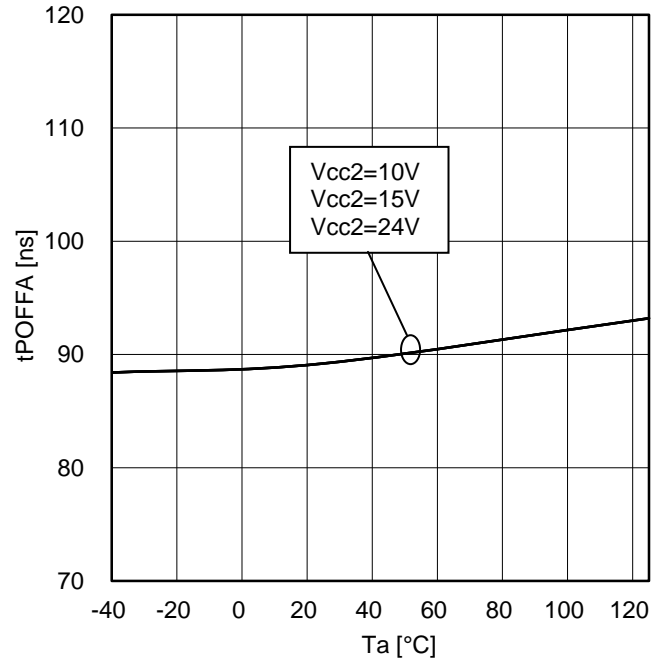


Figure 26. Turn OFF Time vs Temperature (INA=PWM, INB=L)

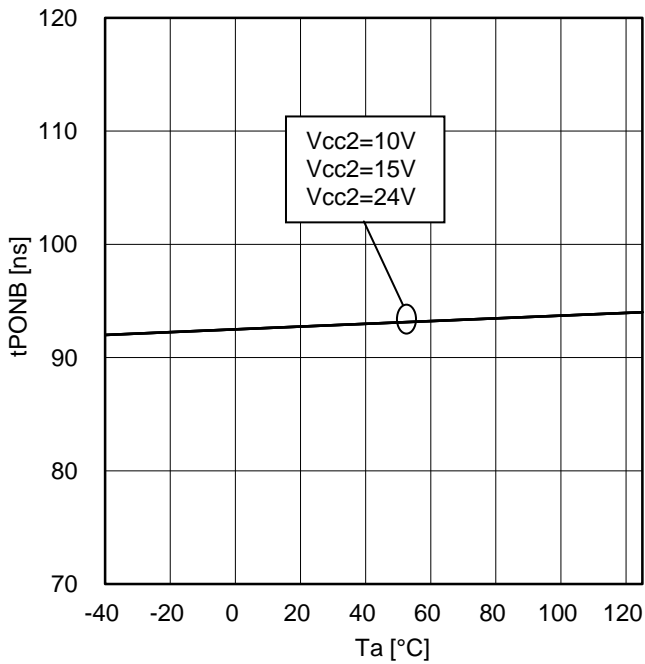


Figure 27. Turn ON Time vs Temperature (INA=H, INB=PWM)

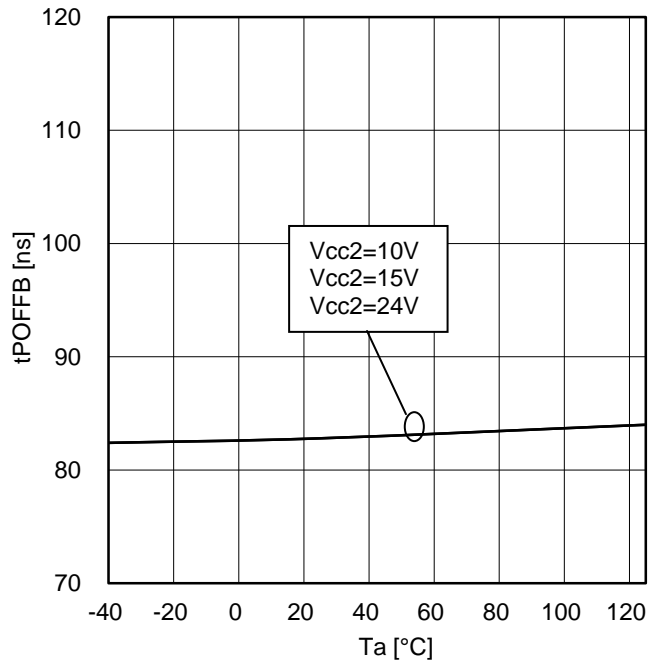


Figure 28. Turn OFF Time vs Temperature (INA=H, INB=PWM)

Typical Performance Curves - continued

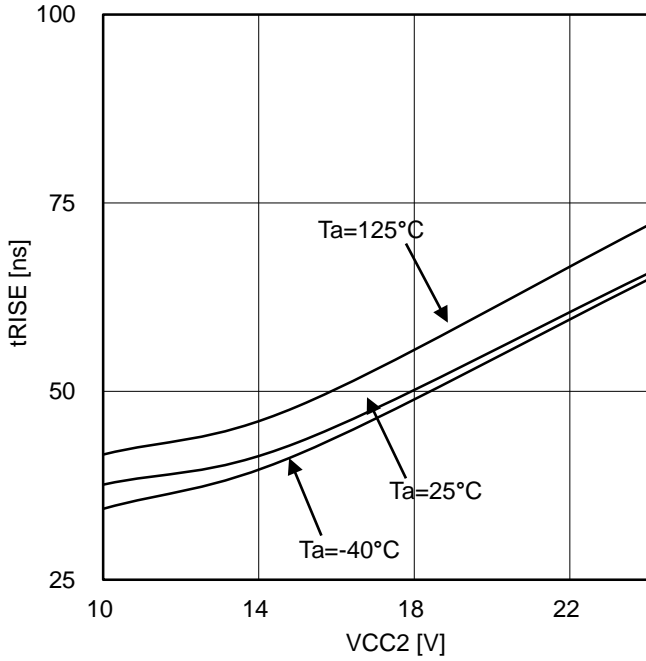


Figure 29. Rise Time vs Output Side Supply Voltage (10nF between OUT-GND2)

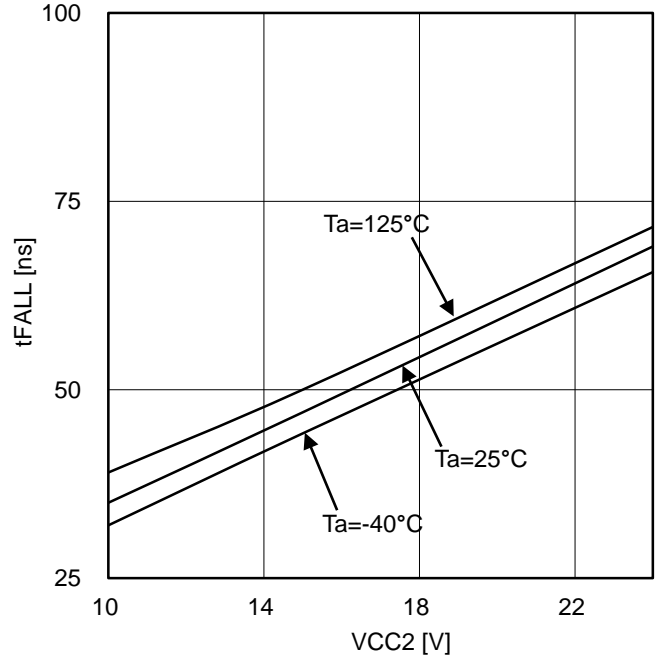


Figure 30. Fall Time vs Output Side Supply Voltage (10nF between OUT-GND2)

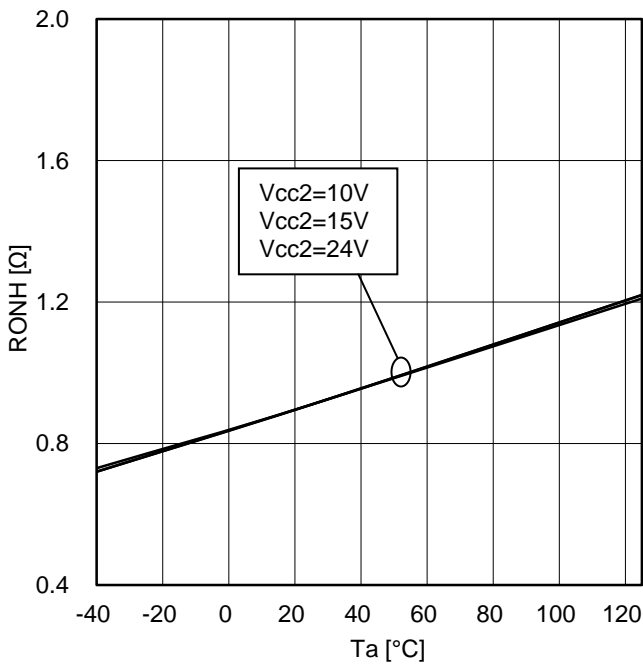


Figure 31. MC ON Resistance vs Temperature

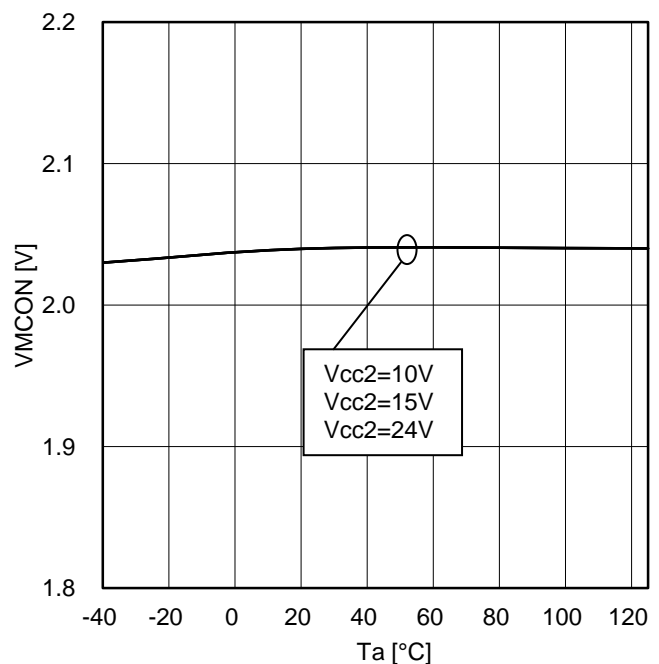


Figure 32. MC ON Threshold Voltage vs Temperature

Typical Performance Curves - continued

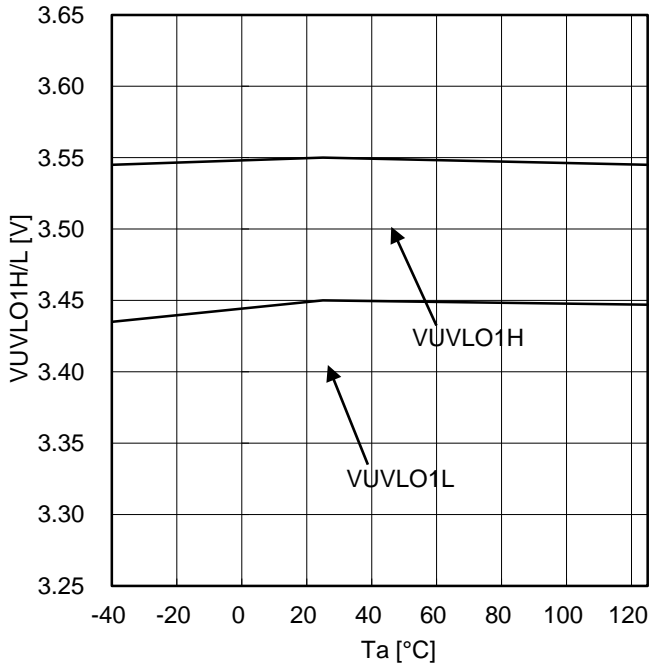


Figure 33. Input Side UVLO ON/OFF Voltage vs Temperature

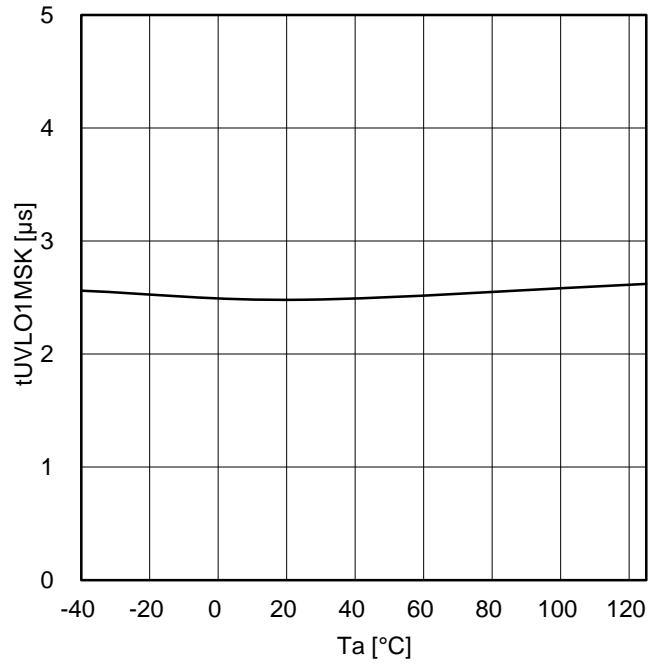


Figure 34. Input Side UVLO Mask Time vs Temperature

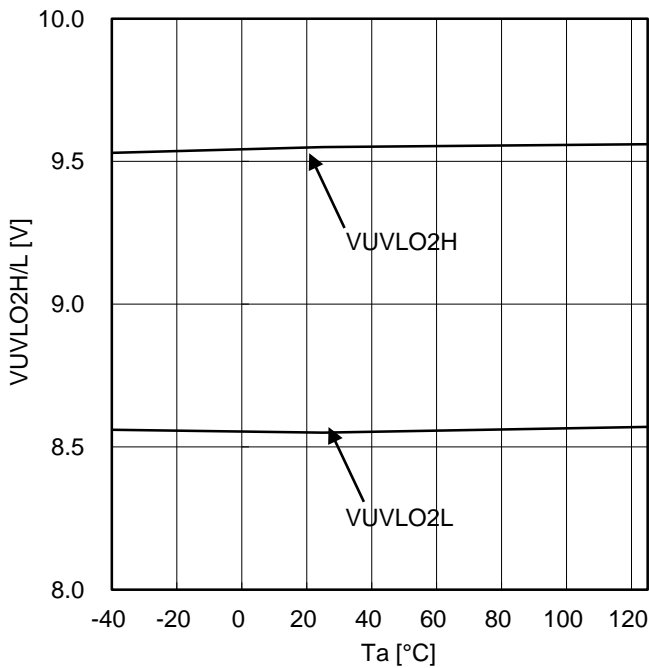


Figure 35. Output Side UVLO ON/OFF voltage vs Temperature

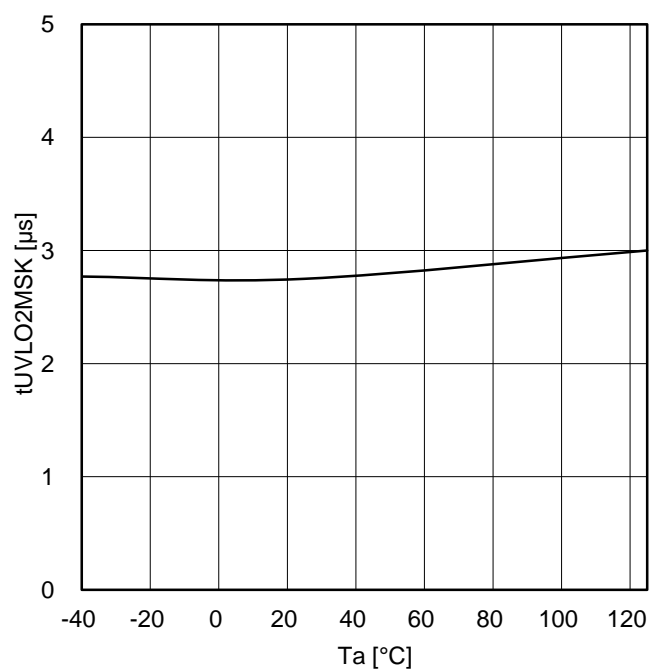


Figure 36. Output Side UVLO Mask Time vs Temperature

Typical Performance Curves - continued

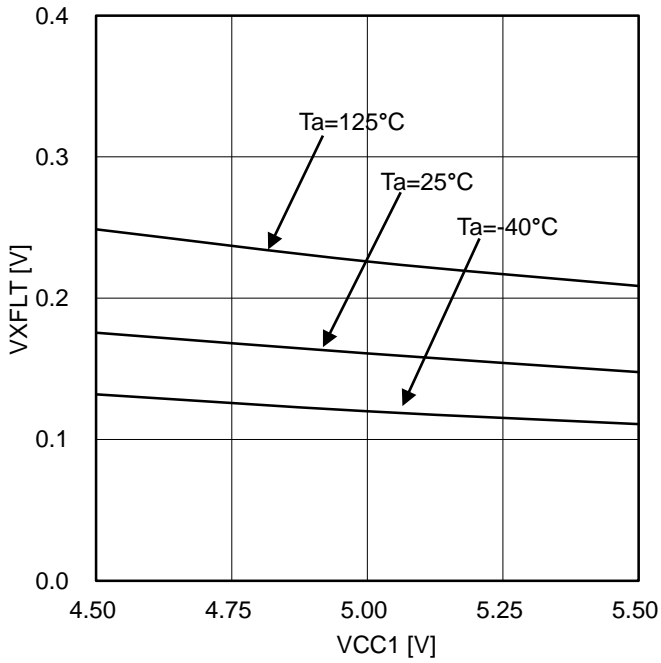


Figure 37. Output Low Voltage vs Input Side Supply Voltage (IXFLT=5mA)

Selection of Components Externally Connected

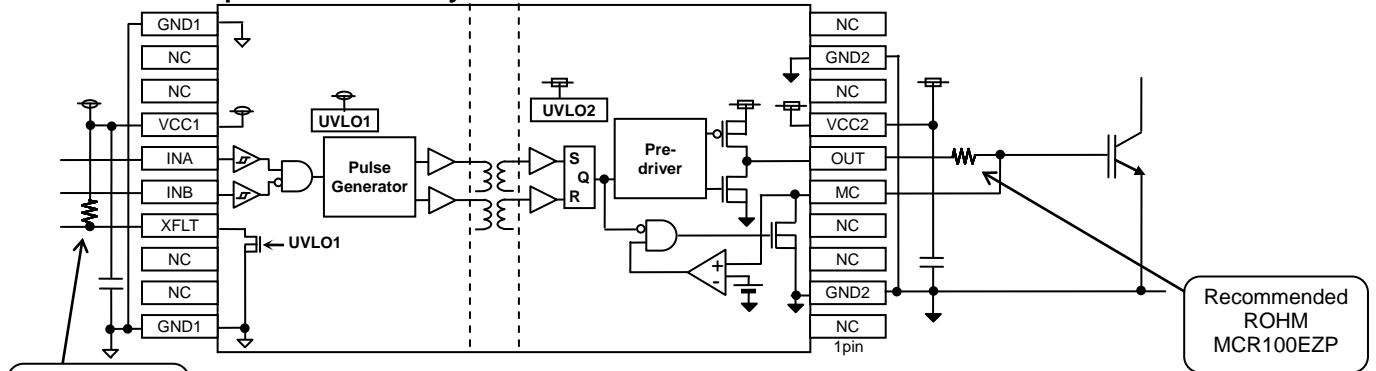


Figure 38. For Driving IGBT

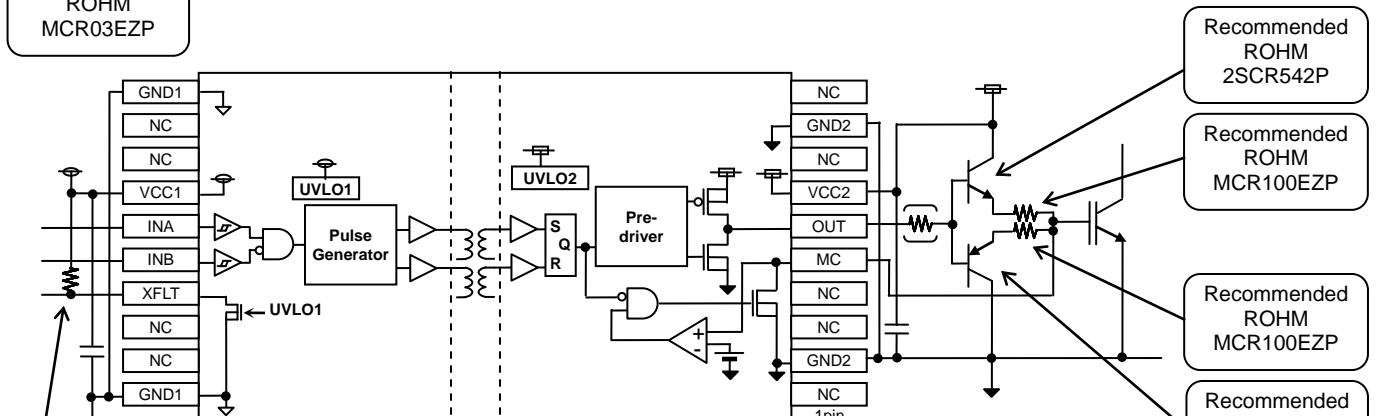


Figure 39. For Driving IGBT with Buffer Circuits

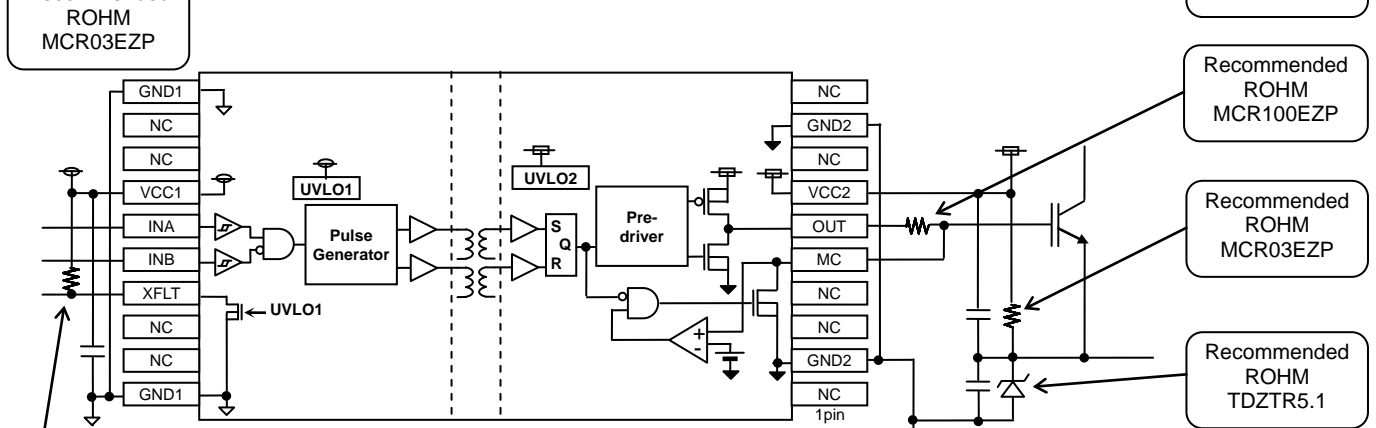


Figure 40. For Driving IGBT with Negative Power Supply

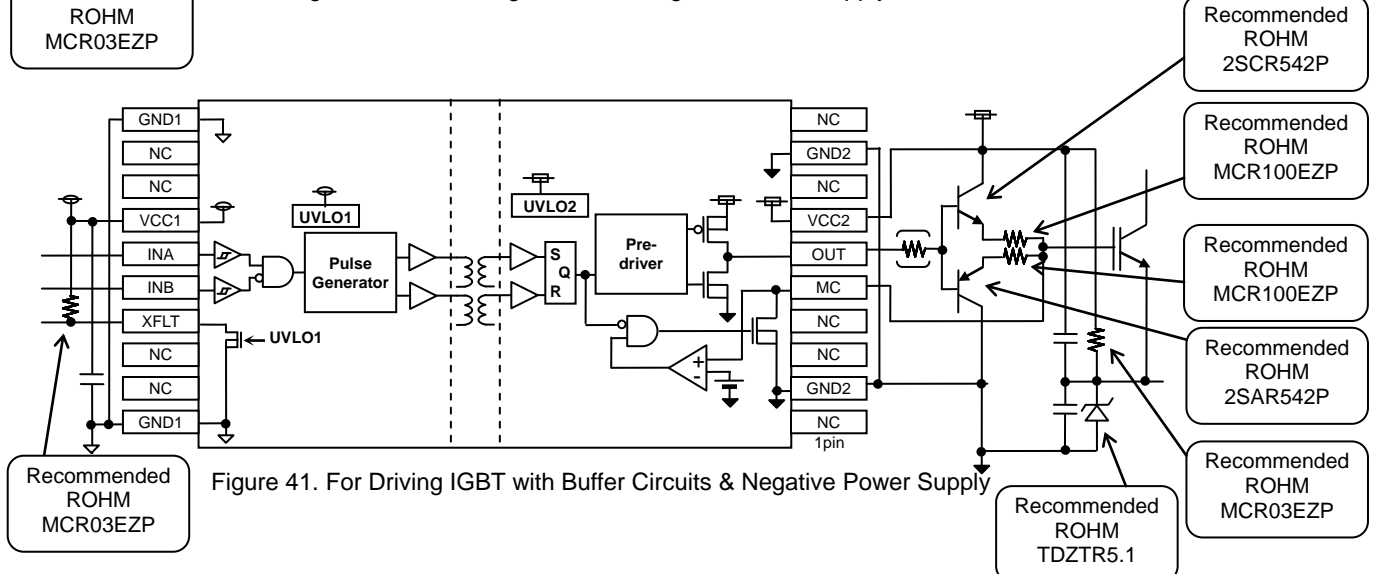
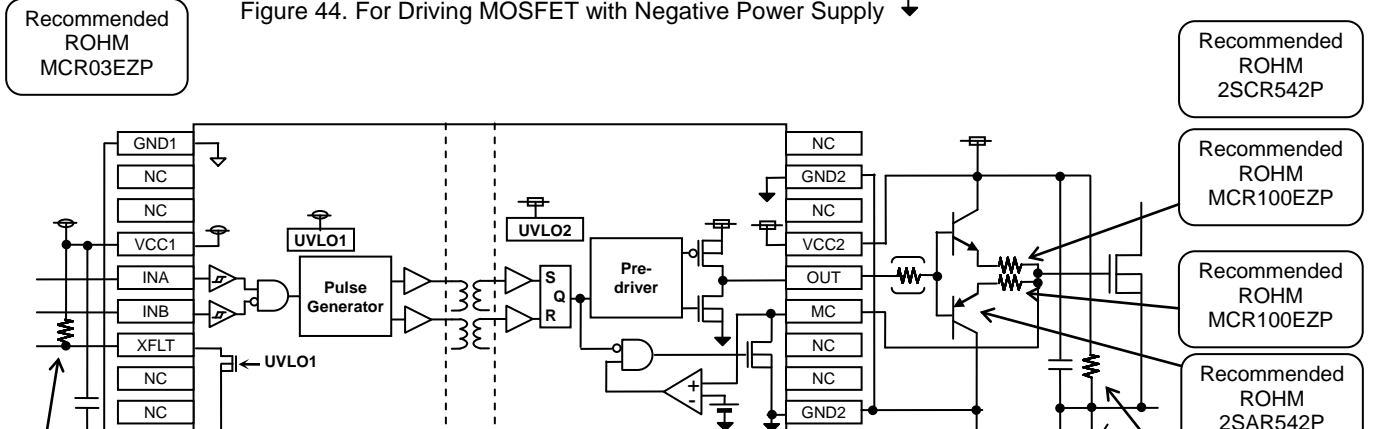
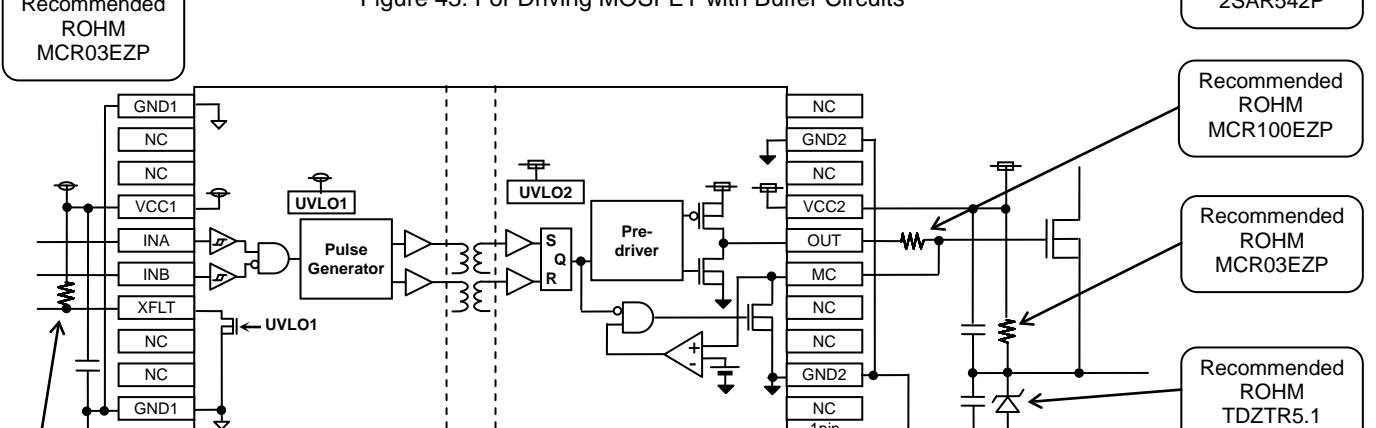
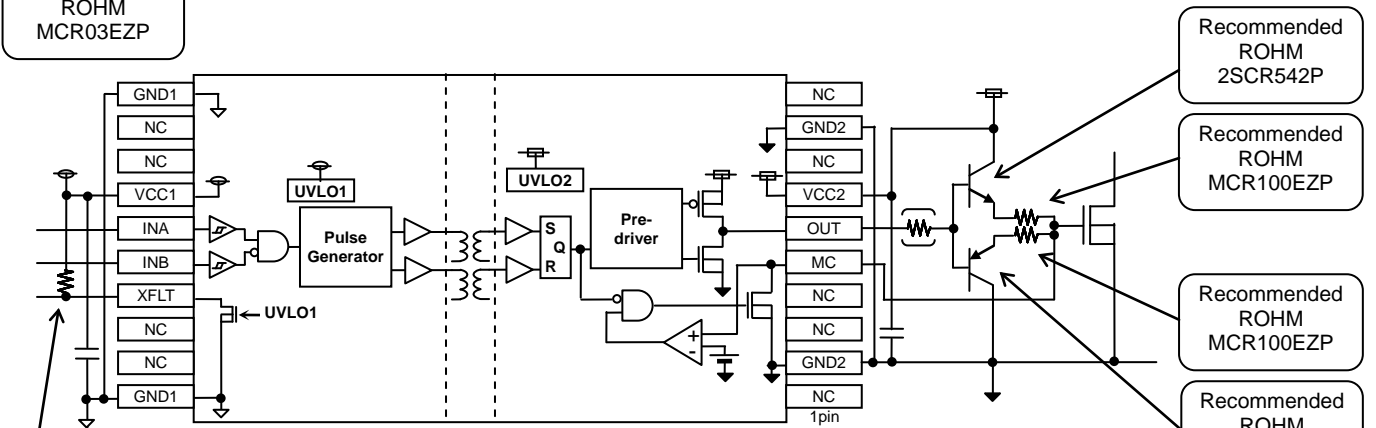
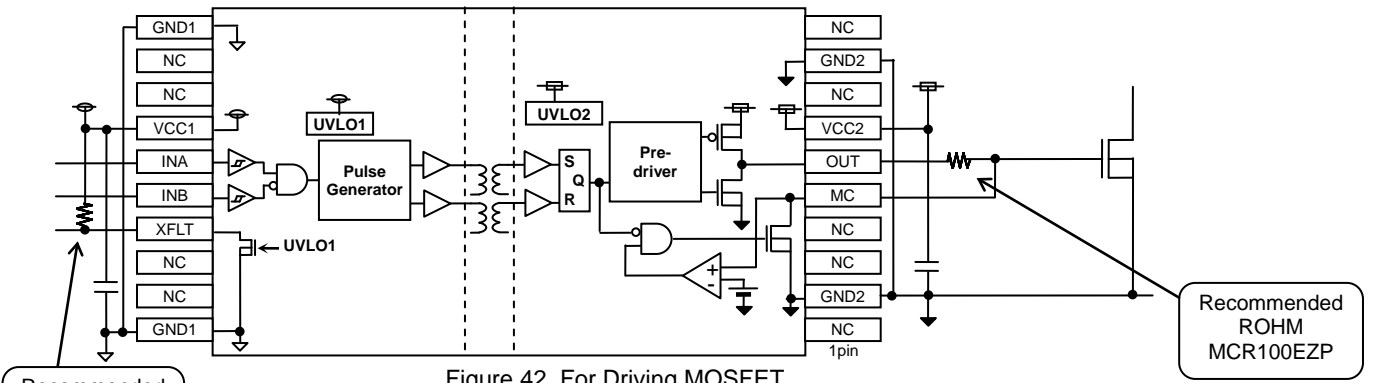


Figure 41. For Driving IGBT with Buffer Circuits & Negative Power Supply



Power Dissipation

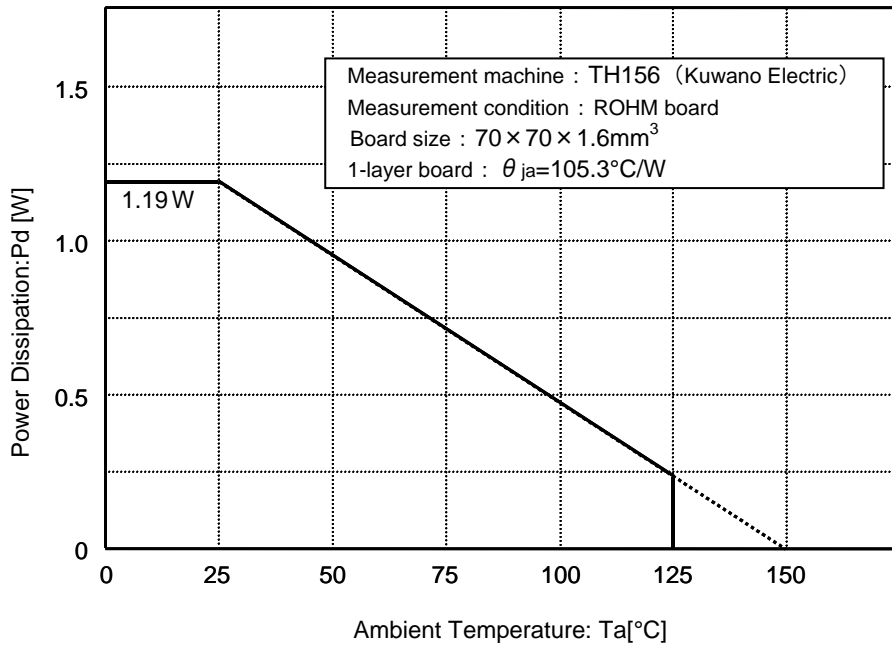


Figure 46. SSOP-B20W Derating Curve

Thermal Design

Please make sure that the IC's chip temperature T_j is not over 150°C, while considering the IC's power consumption (W), package power (Pd) and ambient temperature (Ta). When $T_j=150^\circ\text{C}$ is exceeded, the function as a semiconductor will not operate and some problems (ex. Abnormal operation of various parasitic elements and increasing of leak current) occur. Constant use under these circumstances leads to deterioration and eventually IC may destruct. $T_{j\text{max}}=150^\circ\text{C}$ must be strictly followed under all circumstances.

I/O Equivalent Circuits

Pin No	Name	I/O equivalence circuits
	Function	
1	OUT	
	Output pin	
2	MC	
	Output pin for Miller clamp	
3	INA	
	Control input pin A	
	INB	
	Control input pin B	
4	XFLT	
	Fault signal output pin	

Operational Notes

1. Reverse Connection of Power Supply

Connecting the power supply in reverse polarity can damage the IC. Take precautions against reverse polarity when connecting the power supply, such as mounting an external diode between the power supply and the IC's power supply terminals.

2. Power Supply Lines

Design the PCB layout pattern to provide low impedance supply lines. Separate the ground and supply lines of the digital and analog blocks to prevent noise in the ground and supply lines of the digital block from affecting the analog block. Furthermore, connect a capacitor to ground at all power supply pins. Consider the effect of temperature and aging on the capacitance value when using electrolytic capacitors.

3. Ground Voltage

Ensure that no pins are at a voltage below that of the ground pin at any time, even during transient condition.

4. Ground Wiring Pattern

When using both small-signal and large-current ground traces, the two ground traces should be routed separately but connected to a single ground at the reference point of the application board to avoid fluctuations in the small-signal ground caused by large currents. Also ensure that the ground traces of external components do not cause variations on the ground voltage. The ground lines must be as short and thick as possible to reduce line impedance.

5. Thermal Consideration

Should by any chance the power dissipation rating be exceeded, the rise in temperature of the chip may result in deterioration of the properties of the chip. The absolute maximum rating of the Pd stated in this specification is when the IC is mounted on a 70mm x 70mm x 1.6mm glass epoxy board. In case of exceeding this absolute maximum rating, increase the board size and copper area to prevent exceeding the Pd rating.

6. Recommended Operating Conditions

These conditions represent a range within which the expected characteristics of the IC can be approximately obtained. The electrical characteristics are guaranteed under the conditions of each parameter.

7. Inrush Current

When power is first supplied to the IC, it is possible that the internal logic may be unstable and inrush current may flow instantaneously due to the internal powering sequence and delays, especially if the IC has more than one power supply. Therefore, give special consideration to power coupling capacitance, power wiring, width of ground wiring, and routing of connections.

8. Operation Under Strong Electromagnetic Field

Operating the IC in the presence of a strong electromagnetic field may cause the IC to malfunction.

9. Testing on Application Boards

When testing the IC on an application board, connecting a capacitor directly to a low-impedance output pin may subject the IC to stress. Always discharge capacitors completely after each process or step. The IC's power supply should always be turned off completely before connecting or removing it from the test setup during the inspection process. To prevent damage from static discharge, ground the IC during assembly and use similar precautions during transport and storage.

10. Inter-pin Short and Mounting Errors

Ensure that the direction and position are correct when mounting the IC on the PCB. Incorrect mounting may result in damaging the IC. Avoid nearby pins being shorted to each other especially to ground, power supply and output pin. Inter-pin shorts could be due to many reasons such as metal particles, water droplets (in very humid environment) and unintentional solder bridge deposited in between pins during assembly to name a few.

Operational Notes – continued

11. Unused Input Terminals

Input terminals of an IC are often connected to the gate of a MOS transistor. The gate has extremely high impedance and extremely low capacitance. If left unconnected, the electric field from the outside can easily charge it. The small charge acquired in this way is enough to produce a significant effect on the conduction through the transistor and cause unexpected operation of the IC. So unless otherwise specified, unused input terminals should be connected to the power supply or ground line.

12. Regarding Input Pins of the IC

This monolithic IC contains P+ isolation and P substrate layers between adjacent elements in order to keep them isolated. P-N junctions are formed at the intersection of the P layers with the N layers of other elements, creating a parasitic diode or transistor. For example (refer to figure below):

When $GND > Pin A$ and $GND > Pin B$, the P-N junction operates as a parasitic diode.
 When $GND > Pin B$, the P-N junction operates as a parasitic transistor.

Parasitic diodes inevitably occur in the structure of the IC. The operation of parasitic diodes can result in mutual interference among circuits, operational faults, or physical damage. Therefore, conditions that cause these diodes to operate, such as applying a voltage lower than the GND voltage to an input pin (and thus to the P substrate) should be avoided.

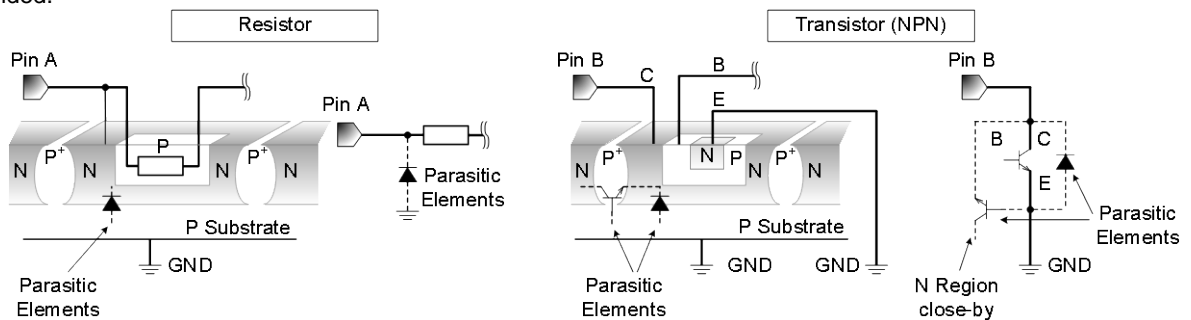


Figure 47. Example of monolithic IC structure

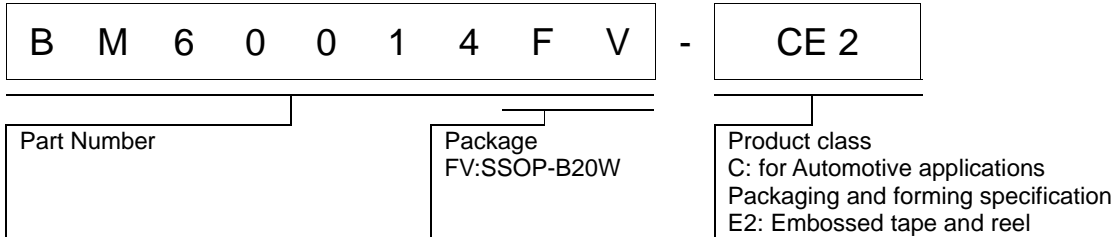
13. Ceramic Capacitor

When using a ceramic capacitor, determine the dielectric constant considering the change of capacitance with temperature and the decrease in nominal capacitance due to DC bias and others.

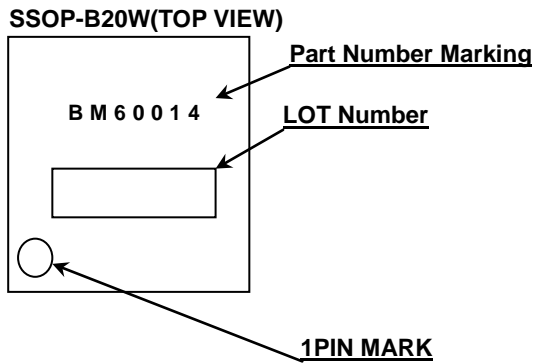
14. Area of Safe Operation (ASO)

Operate the IC such that the output voltage, output current, and power dissipation are all within the Area of Safe Operation (ASO).

Ordering Information

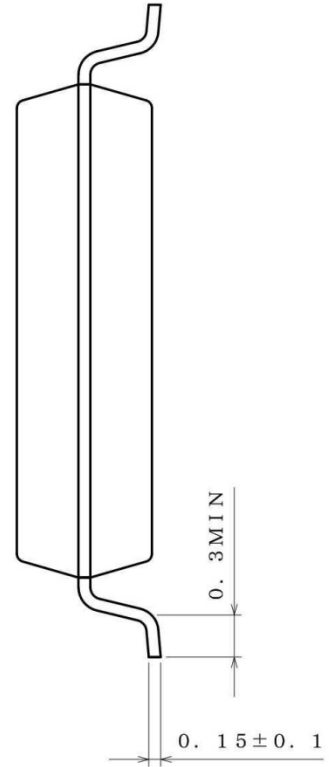
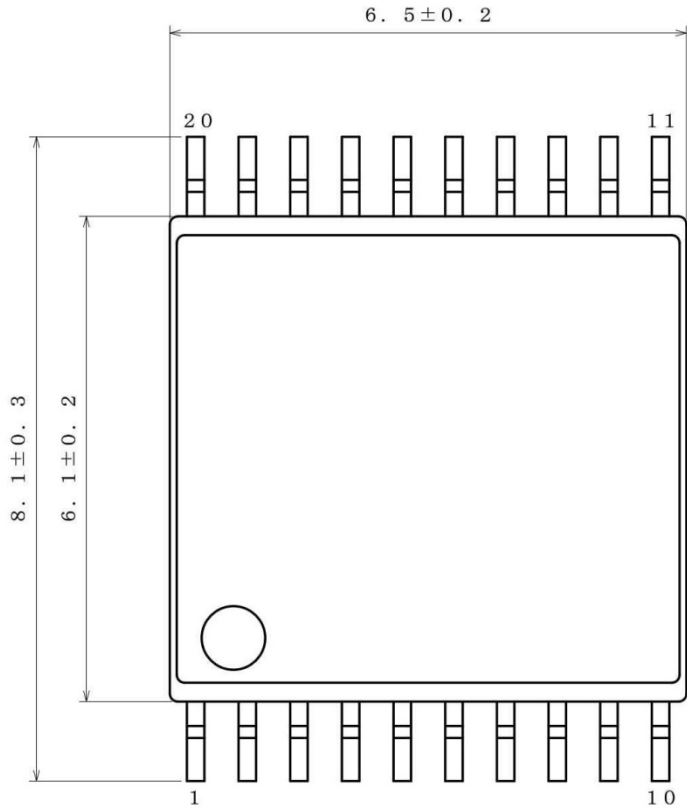


Marking Diagrams



Physical Dimension, Tape and Reel Information

Package Name	SSOP-B20W
--------------	-----------



(UNIT : mm)
 PKG : SSOP-B20W
 Drawing No. B0745

<Tape and Reel information>

Tape	Embossed carrier tape
Quantity	2000pcs
Direction of feed	E2 (The direction is the 1pin of product is at the upper left when you hold reel on the left hand and you pull out the tape on the right hand)

Reel 1pin Direction of feed

*Order quantity needs to be multiple of the minimum quantity.

Revision History

Date	Revision	Changes
25.Nov.2013	001	New Release
26.Jan.2015	002	Page 1 Add AEC-Q100 Grade
		Page 15 Change Typical Performance Curve Figure.36
20.May.2015	003	P.1 Features Adding item (UL1577 Recognized)

Notice

Precaution on using ROHM Products

1. If you intend to use our Products in devices requiring extremely high reliability (such as medical equipment ^(Note 1), aircraft/spacecraft, nuclear power controllers, etc.) and whose malfunction or failure may cause loss of human life, bodily injury or serious damage to property ("Specific Applications"), please consult with the ROHM sales representative in advance. Unless otherwise agreed in writing by ROHM in advance, ROHM shall not be in any way responsible or liable for any damages, expenses or losses incurred by you or third parties arising from the use of any ROHM's Products for Specific Applications.

(Note1) Medical Equipment Classification of the Specific Applications

JAPAN	USA	EU	CHINA
CLASS III	CLASS III	CLASS II b	CLASS III
CLASS IV		CLASS III	

2. ROHM designs and manufactures its Products subject to strict quality control system. However, semiconductor products can fail or malfunction at a certain rate. Please be sure to implement, at your own responsibilities, adequate safety measures including but not limited to fail-safe design against the physical injury, damage to any property, which a failure or malfunction of our Products may cause. The following are examples of safety measures:
 - [a] Installation of protection circuits or other protective devices to improve system safety
 - [b] Installation of redundant circuits to reduce the impact of single or multiple circuit failure
3. Our Products are not designed under any special or extraordinary environments or conditions, as exemplified below. Accordingly, ROHM shall not be in any way responsible or liable for any damages, expenses or losses arising from the use of any ROHM's Products under any special or extraordinary environments or conditions. If you intend to use our Products under any special or extraordinary environments or conditions (as exemplified below), your independent verification and confirmation of product performance, reliability, etc, prior to use, must be necessary:
 - [a] Use of our Products in any types of liquid, including water, oils, chemicals, and organic solvents
 - [b] Use of our Products outdoors or in places where the Products are exposed to direct sunlight or dust
 - [c] Use of our Products in places where the Products are exposed to sea wind or corrosive gases, including Cl₂, H₂S, NH₃, SO₂, and NO₂
 - [d] Use of our Products in places where the Products are exposed to static electricity or electromagnetic waves
 - [e] Use of our Products in proximity to heat-producing components, plastic cords, or other flammable items
 - [f] Sealing or coating our Products with resin or other coating materials
 - [g] Use of our Products without cleaning residue of flux (even if you use no-clean type fluxes, cleaning residue of flux is recommended); or Washing our Products by using water or water-soluble cleaning agents for cleaning residue after soldering
 - [h] Use of the Products in places subject to dew condensation
4. The Products are not subject to radiation-proof design.
5. Please verify and confirm characteristics of the final or mounted products in using the Products.
6. In particular, if a transient load (a large amount of load applied in a short period of time, such as pulse. is applied, confirmation of performance characteristics after on-board mounting is strongly recommended. Avoid applying power exceeding normal rated power; exceeding the power rating under steady-state loading condition may negatively affect product performance and reliability.
7. De-rate Power Dissipation (Pd) depending on Ambient temperature (Ta). When used in sealed area, confirm the actual ambient temperature.
8. Confirm that operation temperature is within the specified range described in the product specification.
9. ROHM shall not be in any way responsible or liable for failure induced under deviant condition from what is defined in this document.

Precaution for Mounting / Circuit board design

1. When a highly active halogenous (chlorine, bromine, etc.) flux is used, the residue of flux may negatively affect product performance and reliability.
2. In principle, the reflow soldering method must be used on a surface-mount products, the flow soldering method must be used on a through hole mount products. If the flow soldering method is preferred on a surface-mount products, please consult with the ROHM representative in advance.

For details, please refer to ROHM Mounting specification

Precautions Regarding Application Examples and External Circuits

1. If change is made to the constant of an external circuit, please allow a sufficient margin considering variations of the characteristics of the Products and external components, including transient characteristics, as well as static characteristics.
2. You agree that application notes, reference designs, and associated data and information contained in this document are presented only as guidance for Products use. Therefore, in case you use such information, you are solely responsible for it and you must exercise your own independent verification and judgment in the use of such information contained in this document. ROHM shall not be in any way responsible or liable for any damages, expenses or losses incurred by you or third parties arising from the use of such information.

Precaution for Electrostatic

This Product is electrostatic sensitive product, which may be damaged due to electrostatic discharge. Please take proper caution in your manufacturing process and storage so that voltage exceeding the Products maximum rating will not be applied to Products. Please take special care under dry condition (e.g. Grounding of human body / equipment / solder iron, isolation from charged objects, setting of Ionizer, friction prevention and temperature / humidity control).

Precaution for Storage / Transportation

1. Product performance and soldered connections may deteriorate if the Products are stored in the places where:
 - [a] the Products are exposed to sea winds or corrosive gases, including Cl₂, H₂S, NH₃, SO₂, and NO₂
 - [b] the temperature or humidity exceeds those recommended by ROHM
 - [c] the Products are exposed to direct sunshine or condensation
 - [d] the Products are exposed to high Electrostatic
2. Even under ROHM recommended storage condition, solderability of products out of recommended storage time period may be degraded. It is strongly recommended to confirm solderability before using Products of which storage time is exceeding the recommended storage time period.
3. Store / transport cartons in the correct direction, which is indicated on a carton with a symbol. Otherwise bent leads may occur due to excessive stress applied when dropping of a carton.
4. Use Products within the specified time after opening a humidity barrier bag. Baking is required before using Products of which storage time is exceeding the recommended storage time period.

Precaution for Product Label

QR code printed on ROHM Products label is for ROHM's internal use only.

Precaution for Disposition

When disposing Products please dispose them properly using an authorized industry waste company.

Precaution for Foreign Exchange and Foreign Trade act

Since concerned goods might be fallen under listed items of export control prescribed by Foreign exchange and Foreign trade act, please consult with ROHM in case of export.

Precaution Regarding Intellectual Property Rights

1. All information and data including but not limited to application example contained in this document is for reference only. ROHM does not warrant that foregoing information or data will not infringe any intellectual property rights or any other rights of any third party regarding such information or data.
2. ROHM shall not have any obligations where the claims, actions or demands arising from the combination of the Products with other articles such as components, circuits, systems or external equipment (including software).
3. No license, expressly or implied, is granted hereby under any intellectual property rights or other rights of ROHM or any third parties with respect to the Products or the information contained in this document. Provided, however, that ROHM will not assert its intellectual property rights or other rights against you or your customers to the extent necessary to manufacture or sell products containing the Products, subject to the terms and conditions herein.

Other Precaution

1. This document may not be reprinted or reproduced, in whole or in part, without prior written consent of ROHM.
2. The Products may not be disassembled, converted, modified, reproduced or otherwise changed without prior written consent of ROHM.
3. In no event shall you use in any way whatsoever the Products and the related technical information contained in the Products or this document for any military purposes, including but not limited to, the development of mass-destruction weapons.
4. The proper names of companies or products described in this document are trademarks or registered trademarks of ROHM, its affiliated companies or third parties.

General Precaution

1. Before you use our Products, you are requested to carefully read this document and fully understand its contents. ROHM shall not be in any way responsible or liable for failure, malfunction or accident arising from the use of any ROHM's Products against warning, caution or note contained in this document.
2. All information contained in this document is current as of the issuing date and subject to change without any prior notice. Before purchasing or using ROHM's Products, please confirm the latest information with a ROHM sales representative.
3. The information contained in this document is provided on an "as is" basis and ROHM does not warrant that all information contained in this document is accurate and/or error-free. ROHM shall not be in any way responsible or liable for any damages, expenses or losses incurred by you or third parties resulting from inaccuracy or errors of or concerning such information.