

THIS DRAWING IS UNPUBLISHED. RELEASED FOR PUBLICATION
 © COPYRIGHT BY TYCO ELECTRONICS CORPORATION. ALL RIGHTS RESERVED.

LOC HB DIST

REVISIONS

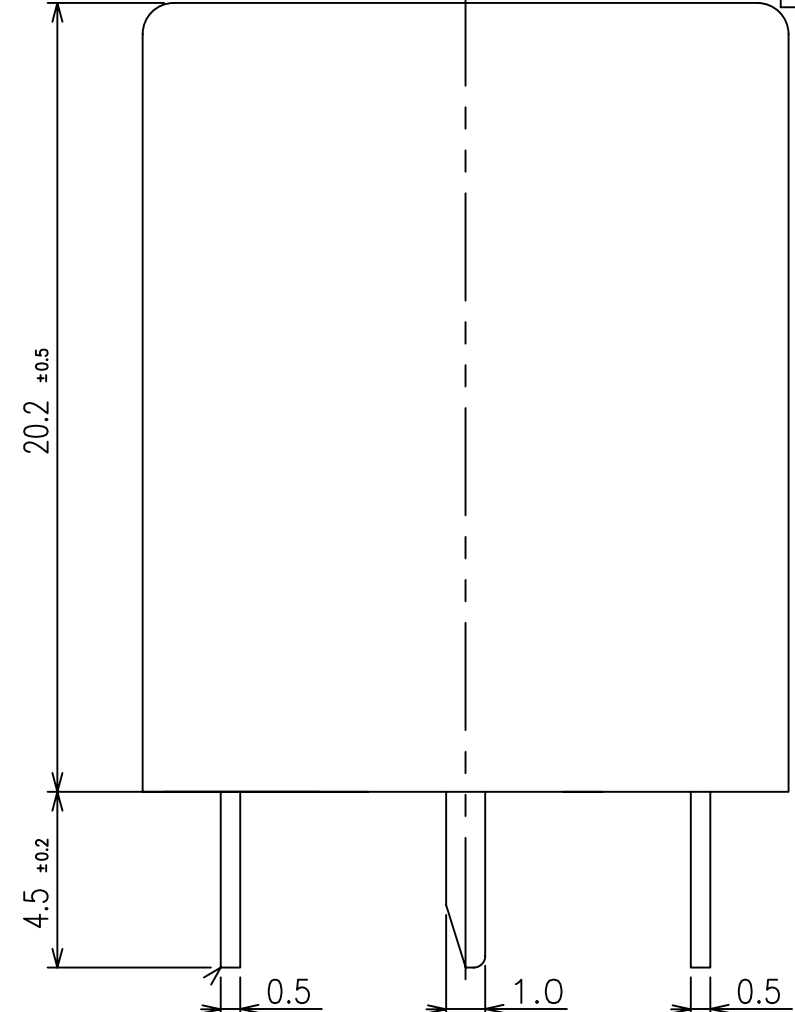
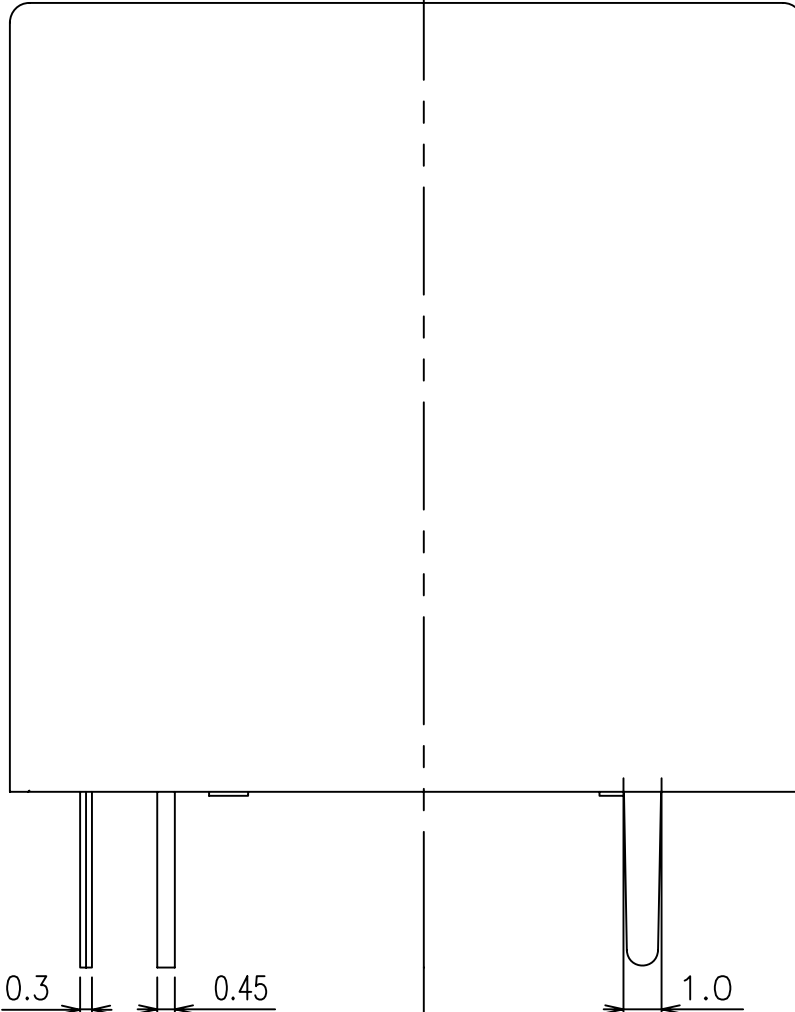
P	LTR	DESCRIPTION	ECN	DATE	DWN	APVD
A		REMOVE CONTACT FIGURE	ECO-07-014825	22-JUN-07	Y.ZX	Y.BH
B		CHANGE TE LOGO	ECO-08-020474	12-SEP-08	Z,Z	BH,Y

D

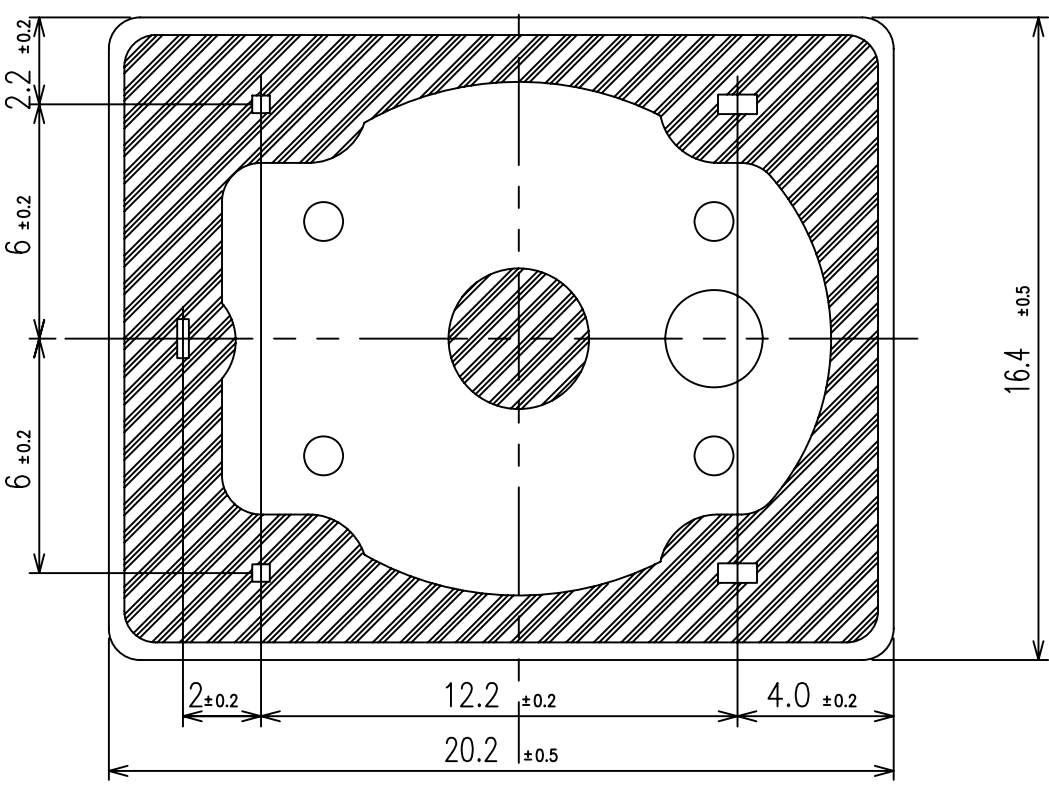
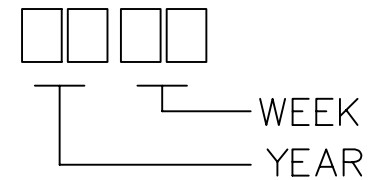
C

B

A



LOT NO. SYSTEM AS FOLLOWING:



THIS DRAWING IS A CONTROLLED DOCUMENT FOR TYCO ELECTRONICS CORPORATION IT IS SUBJECT TO CHANGE AND THE CONTROLLING ENGINEERING ORGANIZATION SHOULD BE CONTACTED FOR THE LATEST REVISION.		DWN H.SASAKI	Tyco Electronics Corporation ShenZhen, China	
		CHK N.FUNAYAMA		
DIMENSIONS: mm		APVD A.NAGAI	NAME	
TOLERANCES UNLESS OTHERWISE SPECIFIED:		PRODUCT SPEC SEE PRODUCT SPEC	SRUUH-D1 CUSTOMER DRAWING	
0 PLC ± 1 PLC ± 2 PLC ± 3 PLC ± 4 PLC ± ANGLES ±		APPLICATION SPEC -	SIZE A3	CAGE CODE 00779
MATERIAL -		WEIGHT -	DRAWING NO C= 1461759	RESTRICTED TO -
FINISH -		CUSTOMER DRAWING		SCALE 5:1 SHEET 1 OF 2 REV B

D

C

B

A

THIS DRAWING IS UNPUBLISHED.

RELEASED FOR PUBLICATION

© COPYRIGHT

BY TYCO ELECTRONICS CORPORATION. ALL RIGHTS RESERVED.

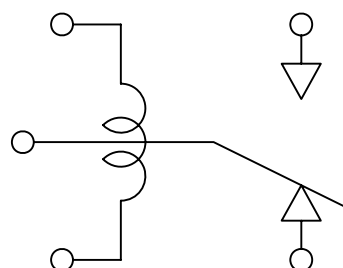
LOC
HB

DIST

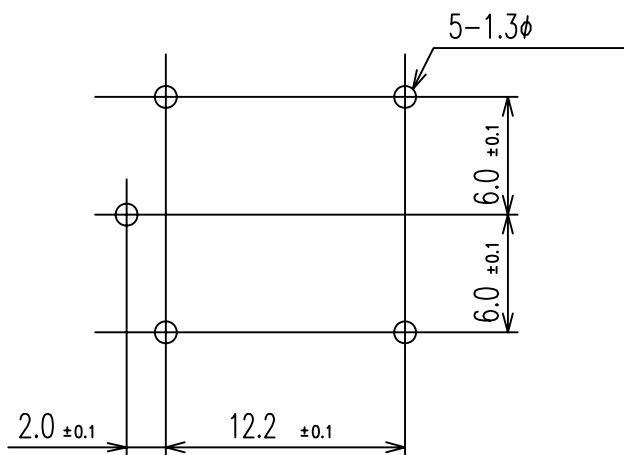
REVISIONS

P	LTR	DESCRIPTION	ECN	DATE	DWN	APVD

3. CONNECTION DIAGRAM(BOTTOM VIEW)



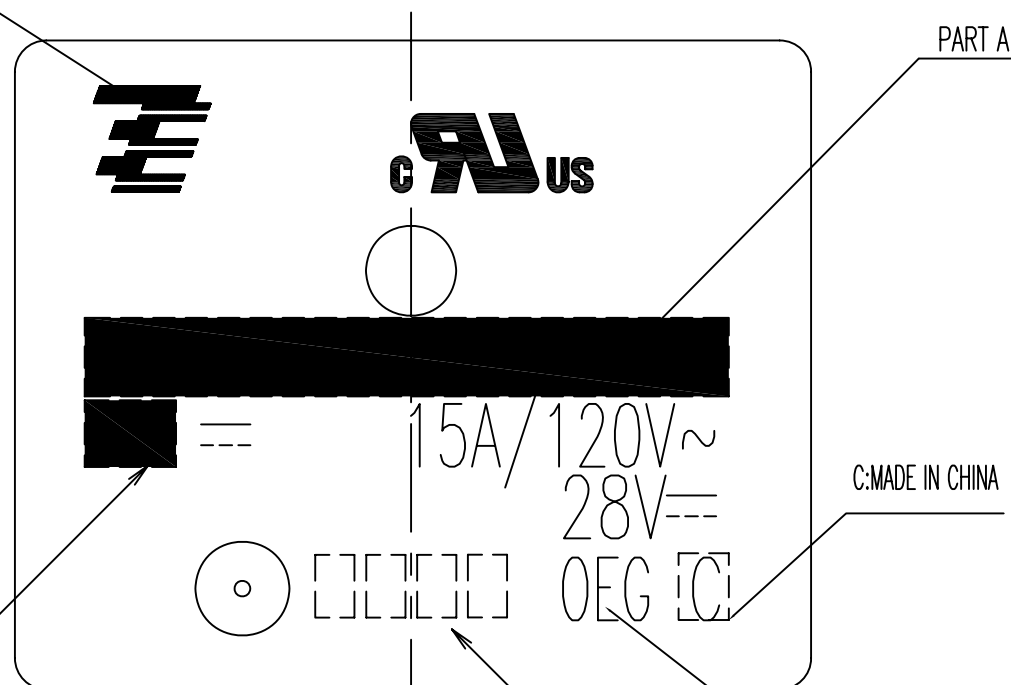
4. DRILLING DIAGRAM



1-1461759-2	SRUOH-SH-148D1	48V	SRUOH-SH-148D1	l
1-1461759-1	SRUOH-SH-124D1	24V	SRUOH-SH-124D1	k
1-1461759-0	SRUOH-SH-112D1	12V	SRUOH-SH-112D1	j
1461759-9	SRUOH-SH-109D1	9V	SRUOH-SH-109D1	i
1461759-8	SRUOH-SH-106D1	6V	SRUOH-SH-106D1	h
1461759-7	SRUOH-SH-105D1	5V	SRUOH-SH-105D1	g
1461759-6	SRUOH-SS-148D1	48V	SRUOH-SS-148D1	f
1461759-5	SRUOH-SS-124D1	24V	SRUOH-SS-124D1	e
1461759-4	SRUOH-SS-112D1	12V	SRUOH-SS-112D1	d
1461759-3	SRUOH-SS-109D1	9V	SRUOH-SS-109D1	c
1461759-2	SRUOH-SS-106D1	6V	SRUOH-SS-106D1	b
1461759-1	SRUOH-SS-105D1	5V	SRUOH-SS-105D1	a
TE PART NO	DESCRIPTION	PART B	PART A	TYPE

RELAY TYPE

		UV RESIN	UV SEAL(FOR SH TYPE)	14
		EPOXY RESIN	SEAL	13
		UEW	MAGNETIC WIRE	12
UL 94V-0		PBT	CASE	11
UL 94V-0		PBT	BOBBIN	10
		CP WIRE	COIL TERMINAL	9
		Ag ALLOY	STATIONARY CONTACT	8
		Ag ALLOY	MOVABLE CONTACT	7
		Cu	B-TERMINAL	6
		Cu	M-TERMINAL	5
		Cu ALLOY	MOVABLE SPRING	4
	Ni PLATING	STEEL	CORE	3
	Ni PLATING	STEEL	ARMATURE	2
	Ni PLATING	STEEL	YOKE	1
INCOMBUSTIBILITY	TREATMENT	MATERIAL	DESCRIPTION	ITEM



THIS DRAWING IS A CONTROLLED DOCUMENT FOR TYCO ELECTRONICS CORPORATION IT IS SUBJECT TO CHANGE AND THE CONTROLLING ENGINEERING ORGANIZATION SHOULD BE CONTACTED FOR THE LATEST REVISION.

DIMENSIONS: mm	TOLERANCES UNLESS OTHERWISE SPECIFIED:
	0 PLC ±
	1 PLC ±
	2 PLC ±
	3 PLC ±
	4 PLC ±
	ANGLES ±
MATERIAL	FINISH

DWN	CHK	APVD	PRODUCT SPEC	APPLICATION SPEC	WEIGHT	CUSTOMER DRAWING
<p>Tyco Electronics Tyco Electronics Corporation ShenZhen, China</p> <p>NAME: SRUOH-D1 CUSTOMER DRAWING</p>						
SIZE	CAGE CODE	DRAWING NO	RESTRICTED TO	SCALE 5:1 SHEET 2 OF 2 REV B		
A3	00779	C- 1461759	-			