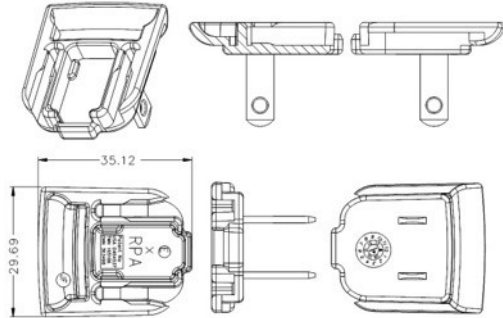


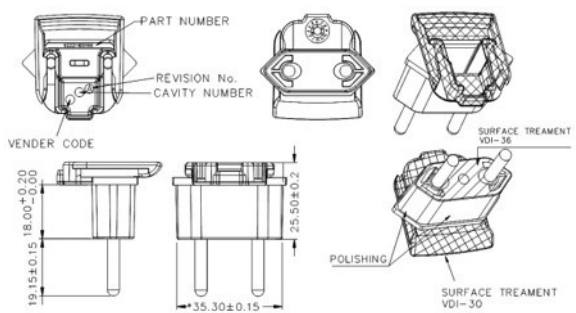
RPA-R – US Clip

Dimension Drawing Unit: mm



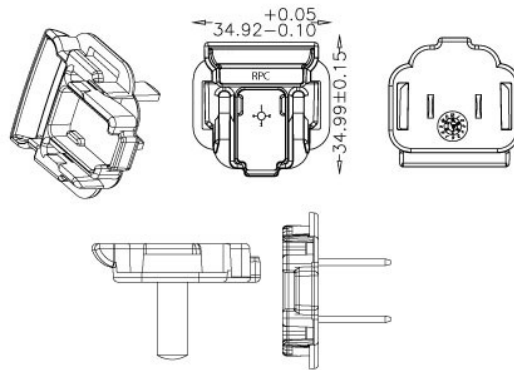
RPB-R – Brazil Clip

Dimension Drawing Unit: mm



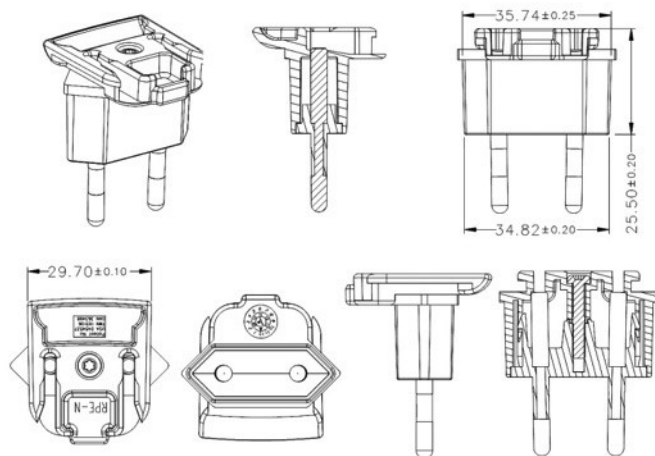
RPC-R – China Clip

Dimension Drawing Unit: mm



RPE-N-R - Europe Clip

Dimension Drawing Unit: mm



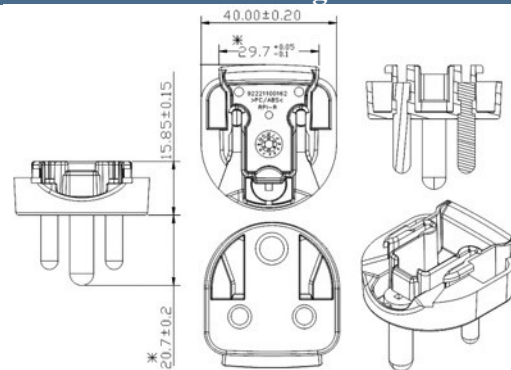
RPH-R – Korea Clip

Dimension Drawing Unit: mm



RPI-R – India Clip

Dimension Drawing Unit: mm



RPK(NC)-R – UK Clip

Dimension Drawing Unit: mm



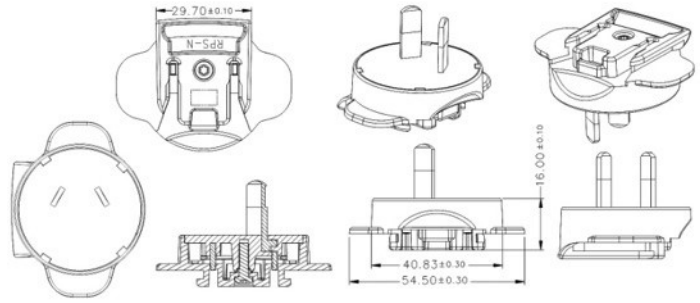
RPN-R – Argentina Clip

Dimension Drawing Unit: mm



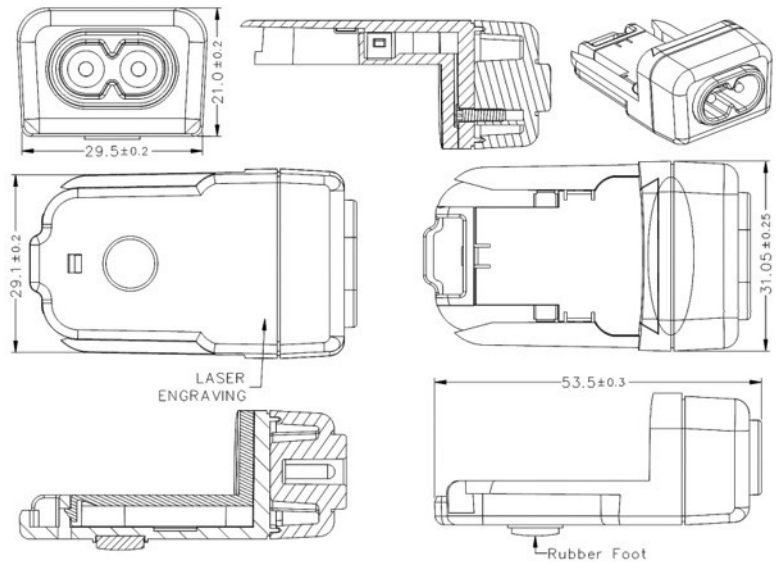
RPS-N-R – Australia Clip

Dimension Drawing Unit: mm



RPX-03-R – C8 Clip

Dimension Drawing Unit: mm



RPBAG(NC)-R

RPBAG(NC)-R

Product package comes with RPA-R, RPE-N-R, RPK(NC)-R and RPS-N-R interchangeable clips in a plastic bag.



Phihong is not responsible for any error and reserves the right to make changes without notice. Please visit our website at www.phihong.com for the most up-to-date specifications and contact information.