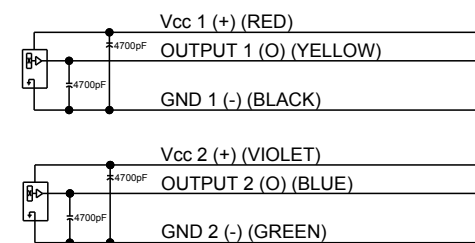
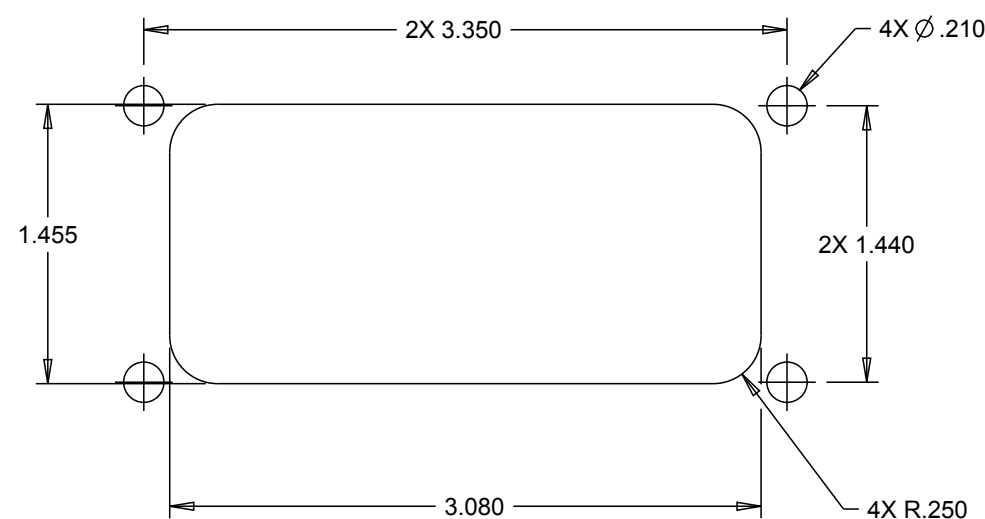
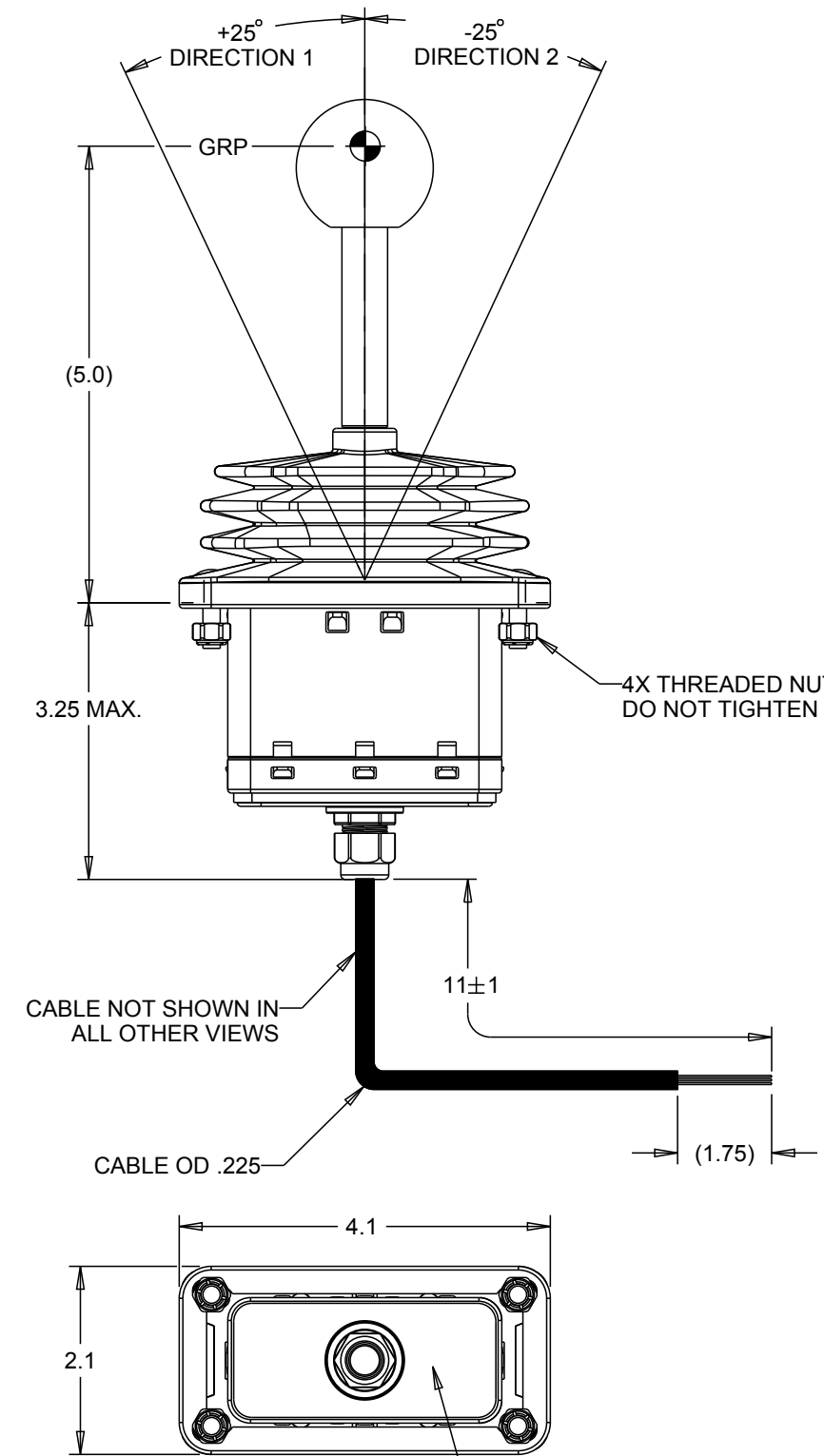
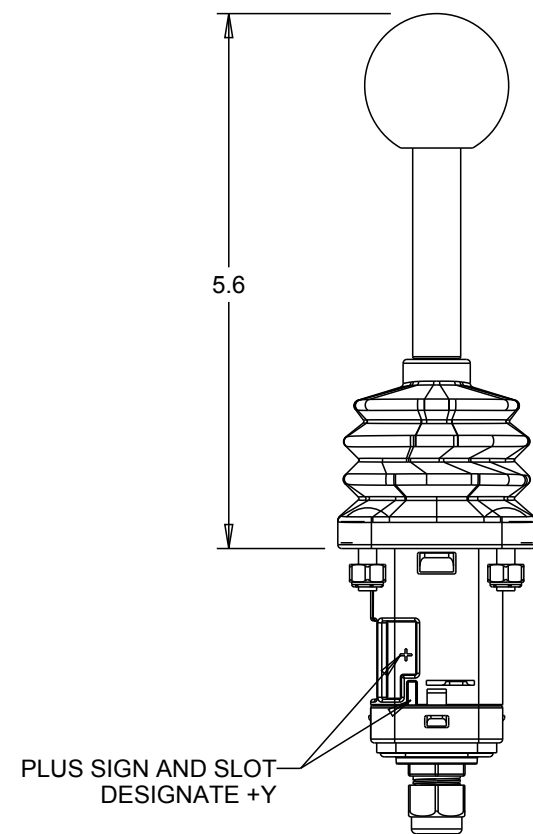
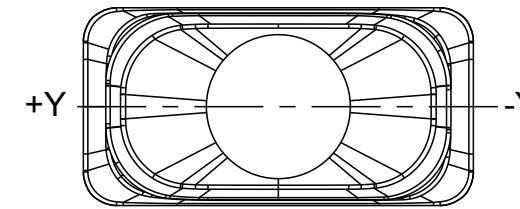
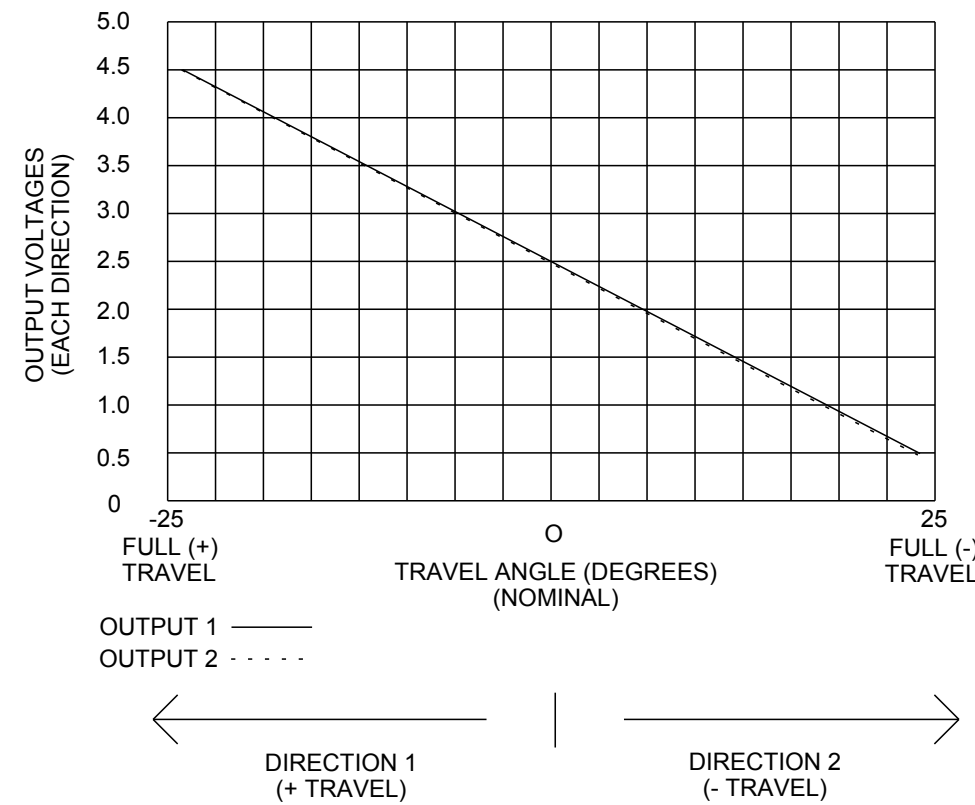


NOTES:

1. THIS PART/PRODUCT IS TO BE MANUFACTURED WITH THE APPLICABLE REGULATIONS OF EC DIRECTIVES 2002/95/EC AND 2002/96/EC. RESTRICTION OF THE USE OF HAZARDOUS SUBSTANCES IN ELECTRICAL AND ELECTRONIC EQUIPMENT (RoHS) AND WASTE ELECTRICAL AND ELECTRONIC EQUIPMENT (WEEE).

SWITCH CHARACTERISTICS				
ELECTRICAL:				
RATED AT V _{cc} = 5V @ 20° C LOAD = 1mA (4.7kΩ)	UNITS	MIN	TYP	MAX
SUPPLY VOLTAGE	VDC	4.50	5.00	5.50
OUTPUTS 1&2 AT FULL TRAVEL DIRECTION 1 (+TRAVEL)	VDC @5V V _{cc}	4.25	4.50	4.75
OUTPUTS 1&2 AT FULL TRAVEL DIRECTION 2 (-TRAVEL)	VDC @5V V _{cc}	0.25	0.50	0.75
SUPPLY CURRENT PER SENSOR B=0, V _{cc} =5V, I _o =0	mA	NA	NA	10
MECHANICAL:				
MECHANICAL LIFE ALL DIRECTIONS	500,000 CYCLES			
TRAVEL ANGLE	DEGREES	24	25	26
OPERATING FORCE @ 20° C	LB	2.0	3.5	5.0
ENVIRONMENTAL:				
OPERATING TEMP.	°C	-40	20	85
HUMIDITY	96% RH, 70° C, 96 HRS.			
ELECTRONICS SEAL INTEGRITY	WATERTIGHT PER IP68S, 1 METER			
EMI/RFI WITHSTAND	PER SAE J1113 CONTACT FACTORY FOR DETAILS			
MATERIAL:				
BASIC HANDLE	POLYPHENYLENE BLEND			
HOUSING	THERMOPLASTIC			
BELLOWS	EPDM, BLACK			
CABLE	6/#22 AWG (19 STRANDS OF 34 AWG TSC) PVC/ POLYURETHANE BLEND OUTER JACKET			
MOUNTING HARDWARE	10-24 x 3/4 CARRIAGE BOLTS SELF LOCKING NUTS			



UNLESS OTHERWISE SPECIFIED: DIMENSIONS ARE IN INCHES.
TOLERANCES:
.XX ±.03
.XXX ±.010
ANGLES ±2°
DO NOT SCALE

MANUFACTURING
SPC
SPECIAL REQUIREMENT

OTTO
CARPENTERSVILLE, ILLINOIS USA

THIS DOCUMENT IS THE CONFIDENTIAL PROPERTY OF OTTO ENGINEERING, INC.. IT IS NOT TO BE USED IN ANY WAY DETRIMENTAL TO THE INTERESTS OF OTTO ENGINEERING, INC..

DESCRIPTION
JHS, SINGLE AXIS JOYSTICK
W/ FRICTION LOCK

DRWN. JLW	SIZE C	FSCM NO 21649	DRAWING NO. JHS-F0002	REV. A
CHKD. DCF				
APPD. AH				