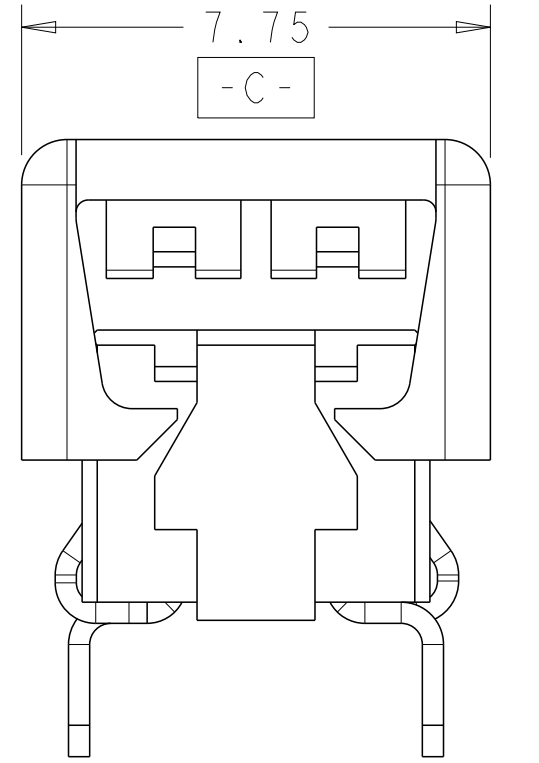
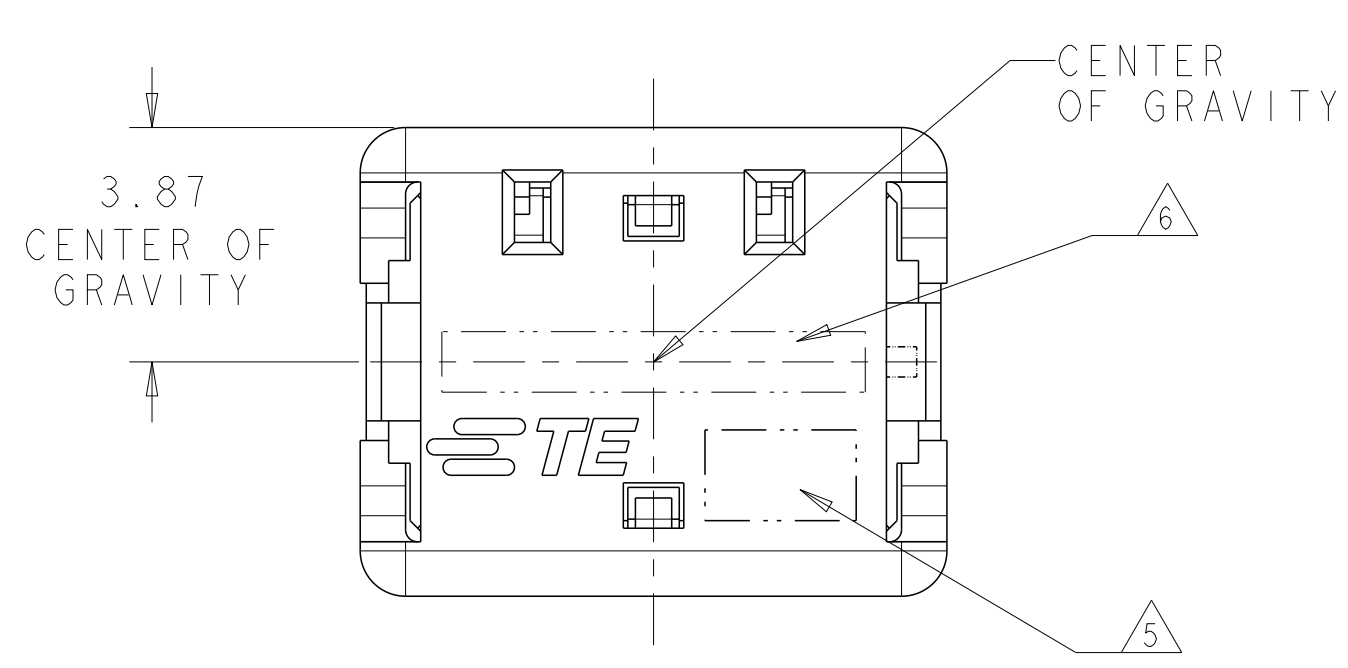
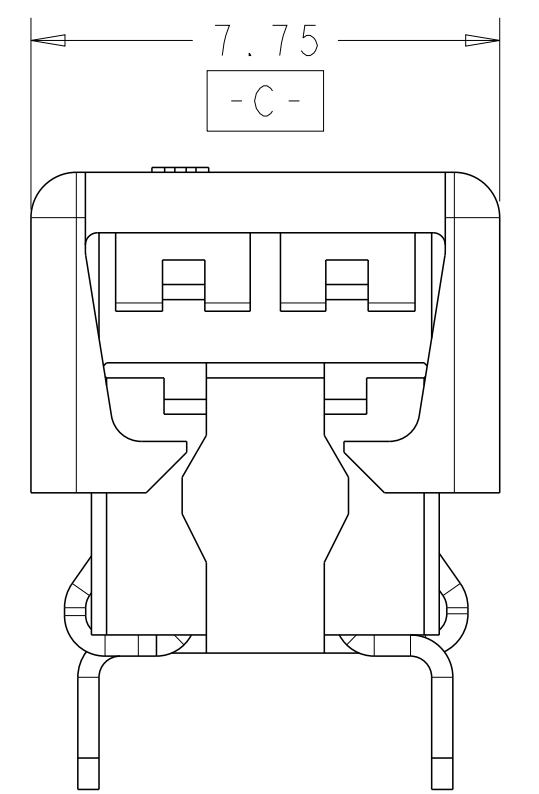
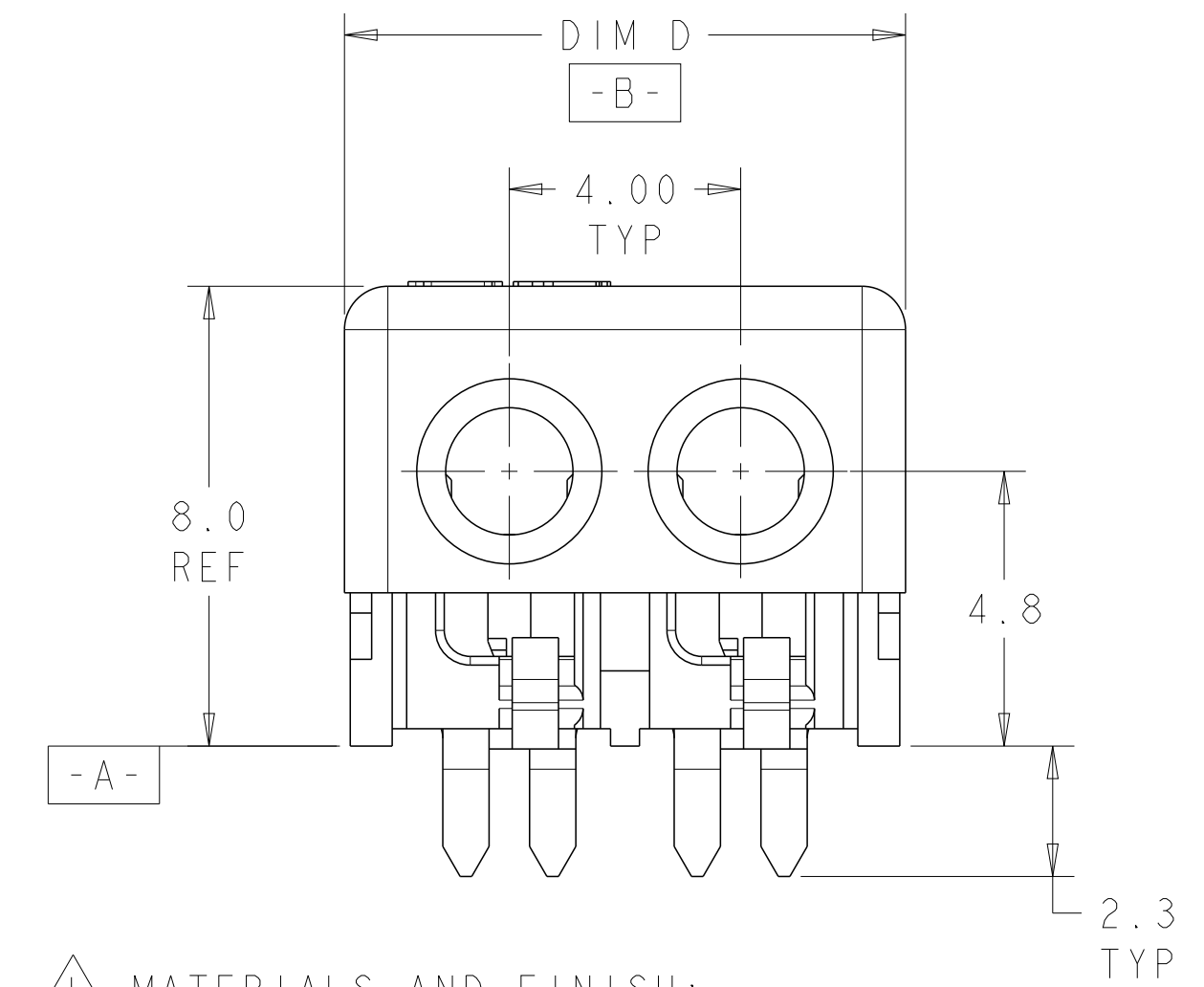


THIS DRAWING IS UNPUBLISHED. RELEASED FOR PUBLICATION 20
 © COPYRIGHT 20 BY - ALL RIGHTS RESERVED.

| LOC | | DIST | | REVISIONS | | | |
|-----|-----|-------------|--|--------------------------|-----------|-------|--|
| P | LTR | DESCRIPTION | | DATE | DWN | APVD | |
| | CM | 00 | | | | | |
| A1 | | | | REVISD PER ECR-12-003555 | 19APR2012 | RS DD | |
| A2 | | | | REVISD PER ECR-12-016877 | 20OCT2012 | RS DD | |
| B | | | | REVISD PER ECR-15-004054 | 28JUL2015 | RS DD | |
| C | | | | REVISD PER ECR-15-017995 | 18DEC2015 | RS DD | |

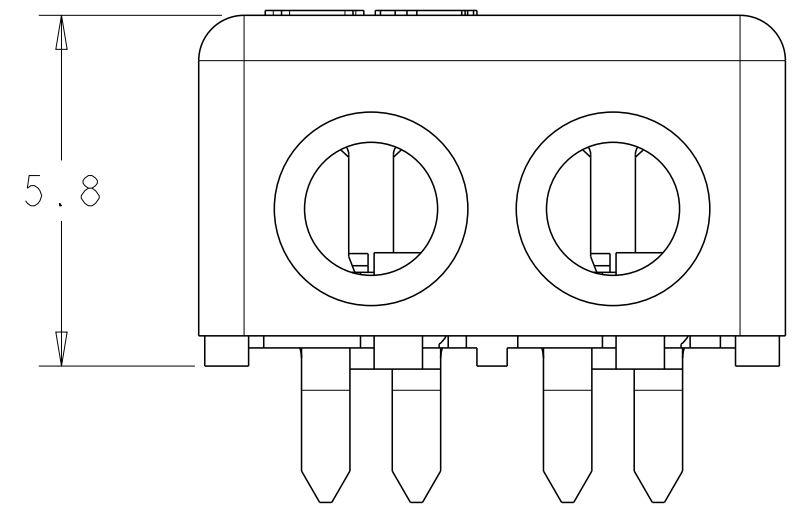


FOR 1 POSITION ONLY

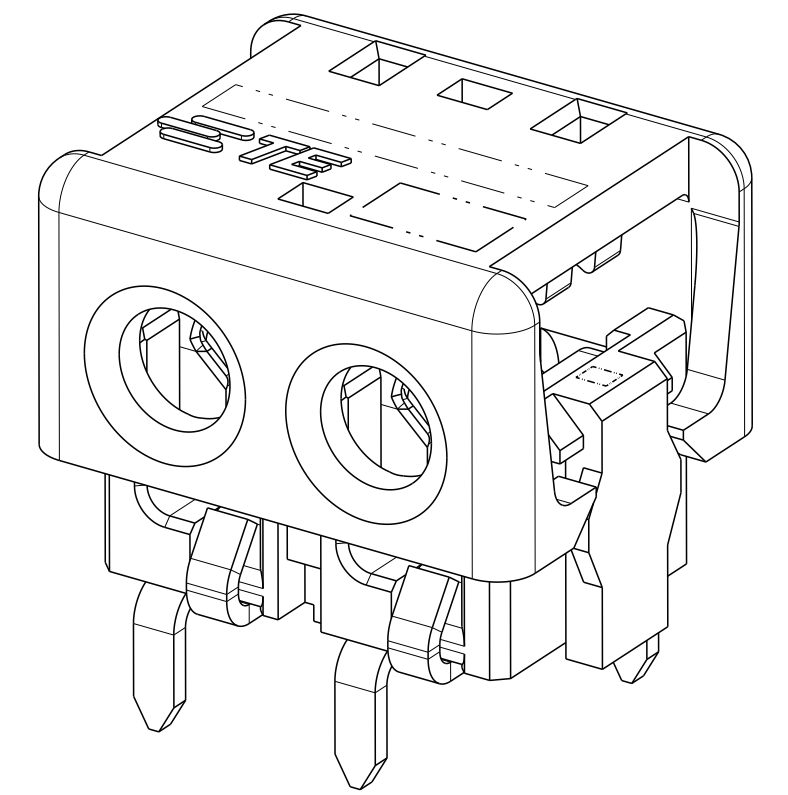


FOR 2, 3 AND 4 POSITIONS

2 POSITION SHOWN AS SHIPPED



2 POSITION SHOWN CLOSED SCALE 8:1



1 MATERIALS AND FINISH:
 - HOUSING: LCP, COLOR: NATURAL
 - CONTACTS: COPPER ALLOY, FINISH: Sn OVER Ni

2. COMPLY WITH DIRECTIVE 2002/95/EC (ROHS)

3. 18-24AWG SOLID OR STRANDED WIRE.
 PLEASE REFER TO APPLICATION SPEC 114-13266 FOR RECOMMENDED STRAND COUNT.
 18 AWG MAX INSULATION OD: 2.20
 20 AWG MAX INSULATION OD: 1.90
 22 AWG MAX INSULATION OD: 1.70
 24 AWG MAX INSULATION OD: 1.45

4. PACKAGE IN TAPE AND REEL PER EIA-481 SPECIFICATION

- 5 WIRE SIZE MARKING IN APPROXIMATE LOCATION SHOWN.
- 6 COLOR CODE MARKING, STRAIGHT LINE.
- 7 ONE POSITION ASSEMBLY DOES NOT COMPLY WITH EIA 481 SPECIFICATION.

| | | | | |
|------------|-------|-----------|------|---------------|
| RED | 17.70 | 24 AWG | 4 | 3-2106489-4 |
| | 13.70 | 24 AWG | 3 | 3-2106489-3 |
| | 9.70 | 24 AWG | 2 | 3-2106489-2 |
| | 5.70 | 24 AWG | 1 | 7 3-2106489-1 |
| GREEN | 17.70 | 22 AWG | 4 | 2-2106489-4 |
| | 13.70 | 22 AWG | 3 | 2-2106489-3 |
| | 9.70 | 22 AWG | 2 | 2-2106489-2 |
| BLUE | 17.70 | 20 AWG | 4 | 1-2106489-4 |
| | 13.70 | 20 AWG | 3 | 1-2106489-3 |
| | 9.70 | 20 AWG | 2 | 1-2106489-2 |
| YELLOW | 17.70 | 18 AWG | 4 | 7 2106489-4 |
| | 13.70 | 18 AWG | 3 | 2106489-3 |
| | 9.70 | 18 AWG | 2 | 2106489-2 |
| | 5.70 | 18 AWG | 1 | 7 2106489-1 |
| COLOR CODE | DIM D | WIRE SIZE | POSN | PART NUMBER |

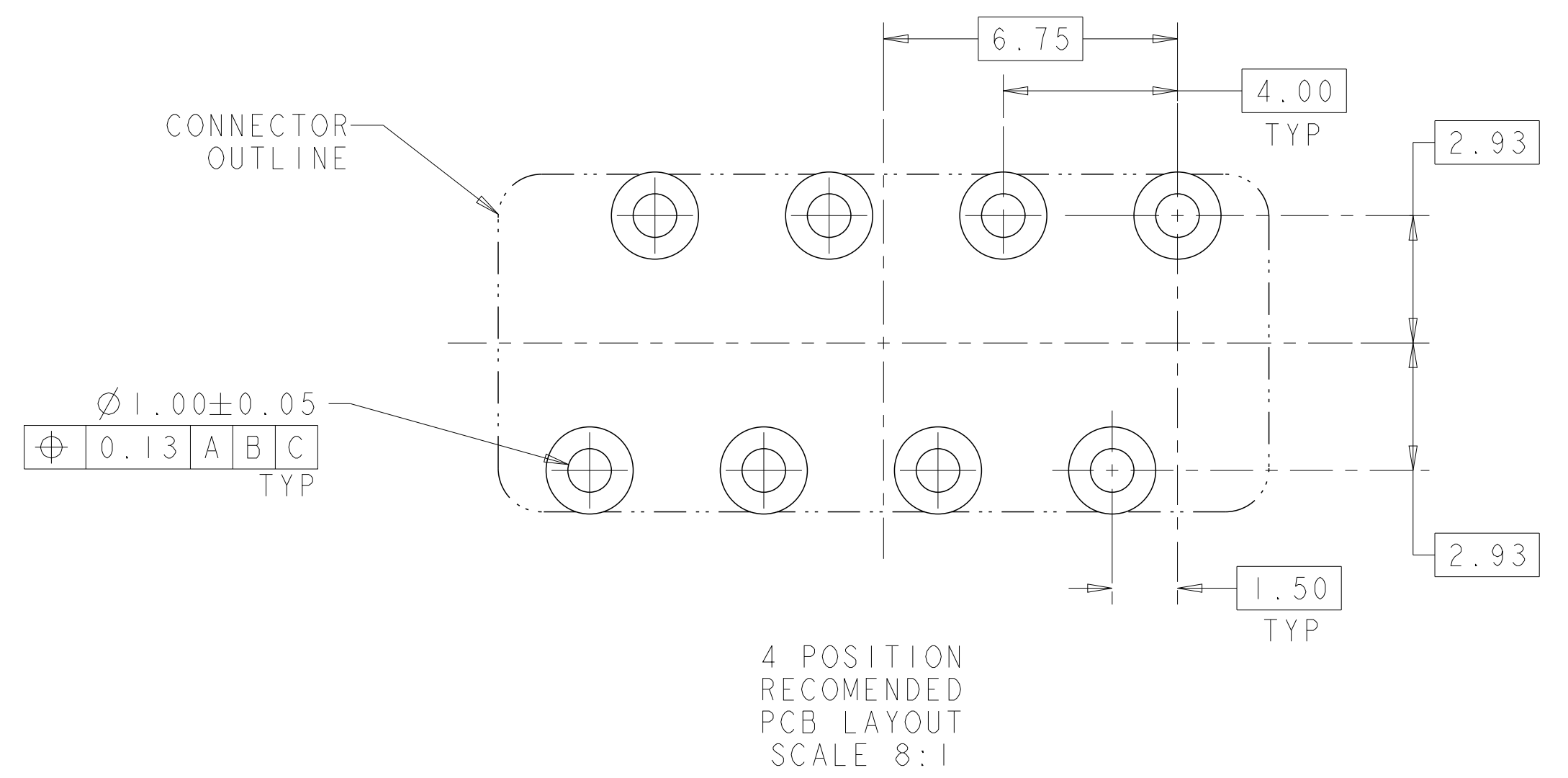
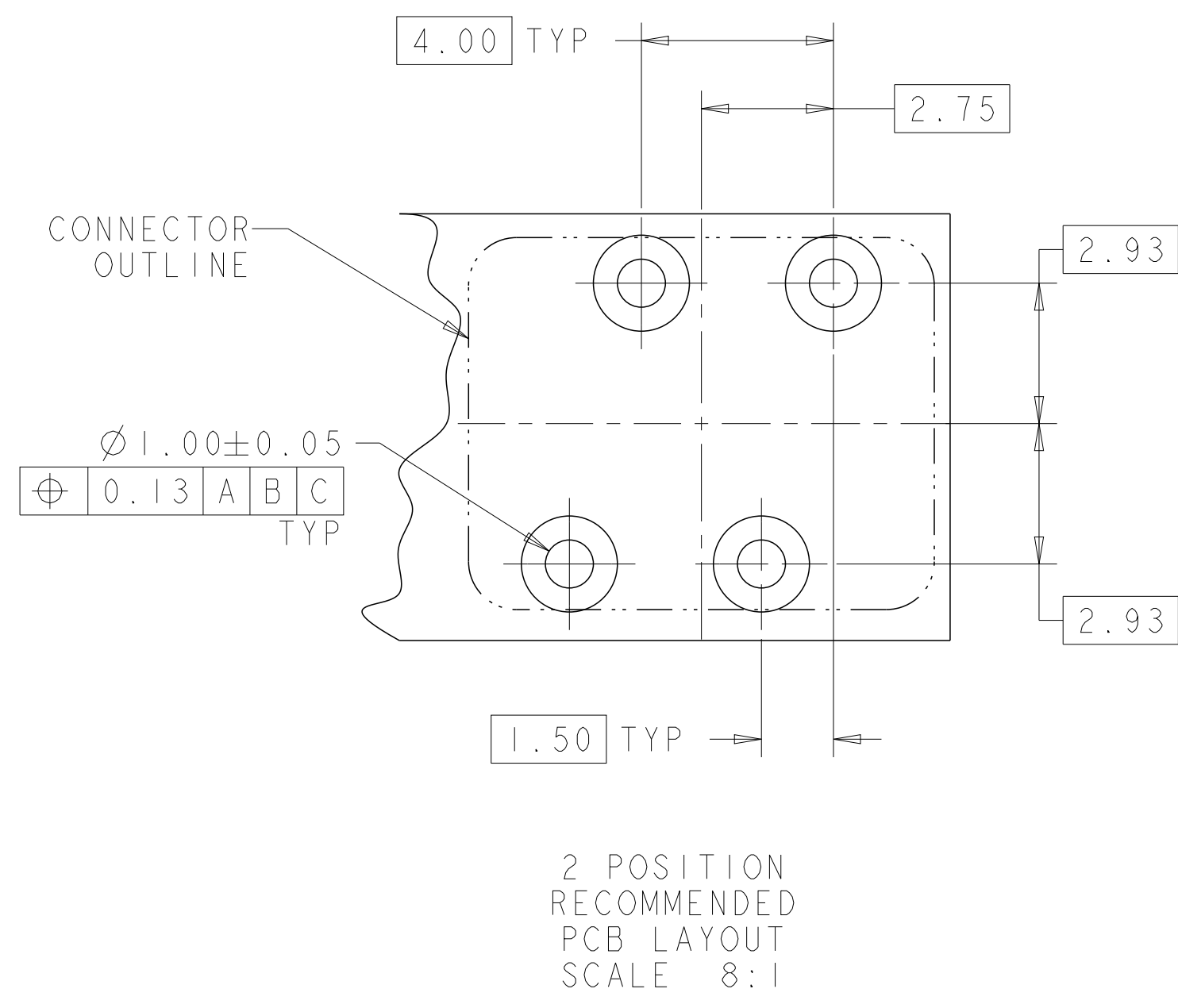
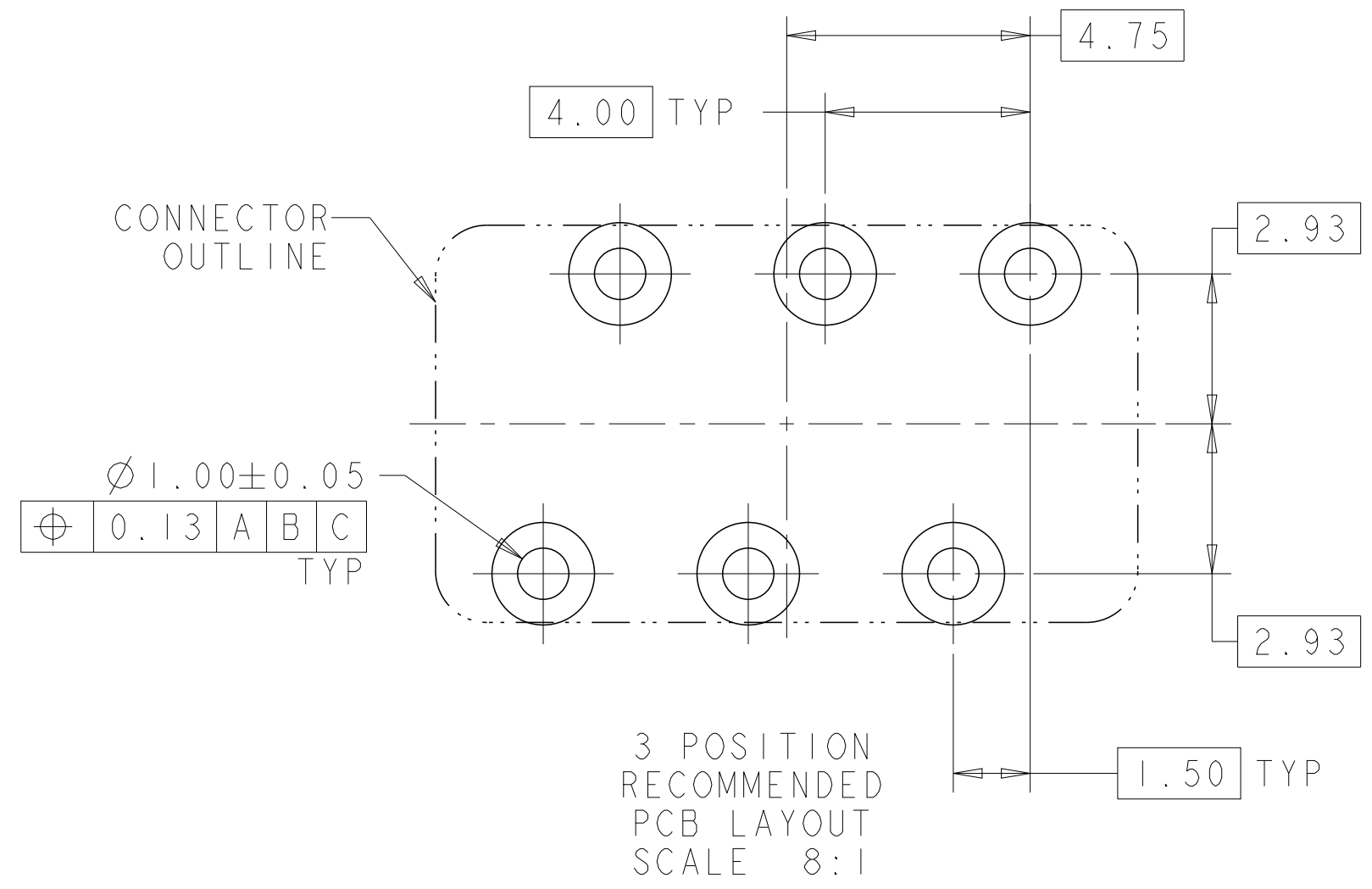
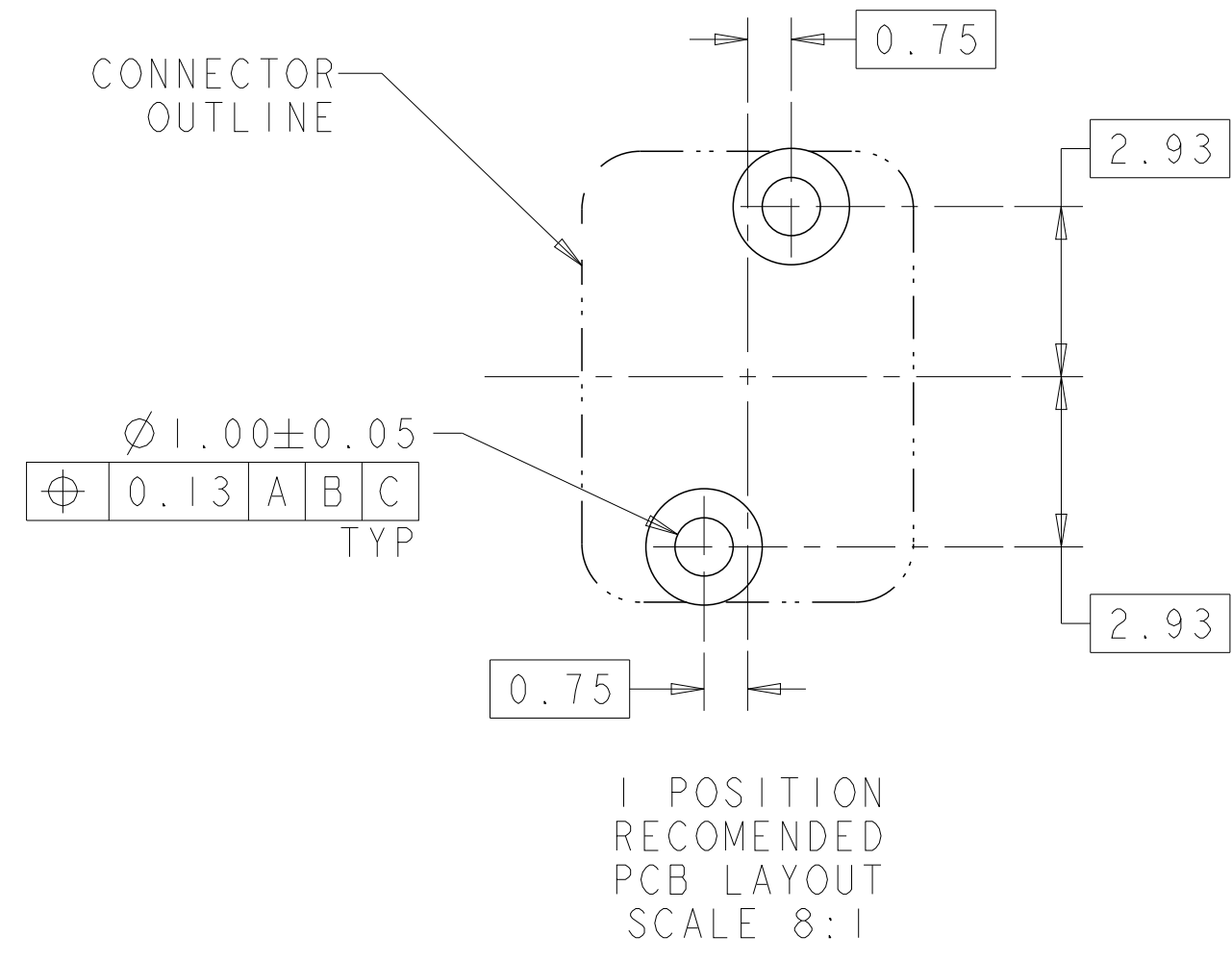
THIS DRAWING IS A CONTROLLED DOCUMENT. DWN C DAILY 11JUN2009
 CHK O OSAGIE 11JUN2009

| | | | |
|----------------|--|------------------|---|
| DIMENSIONS: mm | TOLERANCES UNLESS OTHERWISE SPECIFIED: | APVD - | NAME |
| 0 PLC ± | 1 PLC ±0.5 | PRODUCT SPEC | ASSEMBLY, IDC SSL CONNECTOR, THROUGH HOLE, CLOSED END |
| 2 PLC ±0.13 | 3 PLC ± | APPLICATION SPEC | 108-2404 |
| 4 PLC ± | ANGLES ± | FINISH | 114-13266 |
| MATERIAL | | WEIGHT | A200779C-2106489 |
| | | Customer Drawing | SCALE 8:1 SHEET 1 OF 3 REV C |

STE TE Connectivity

THIS DRAWING IS UNPUBLISHED. RELEASED FOR PUBLICATION 20
 © COPYRIGHT 20 BY - ALL RIGHTS RESERVED.

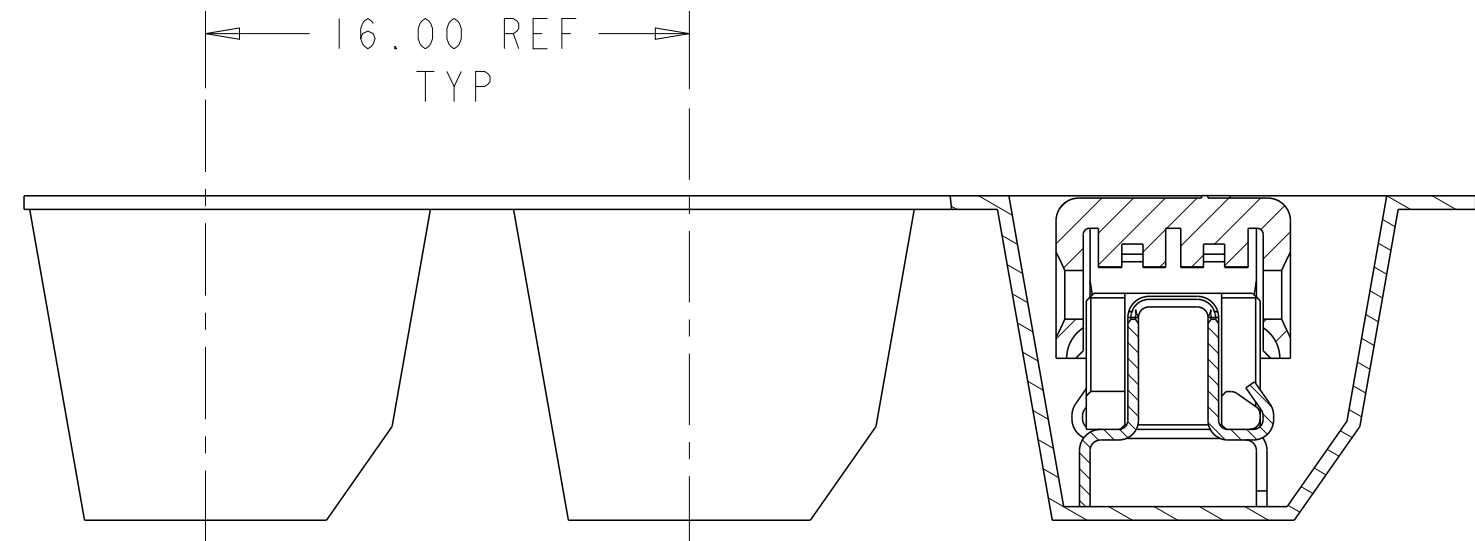
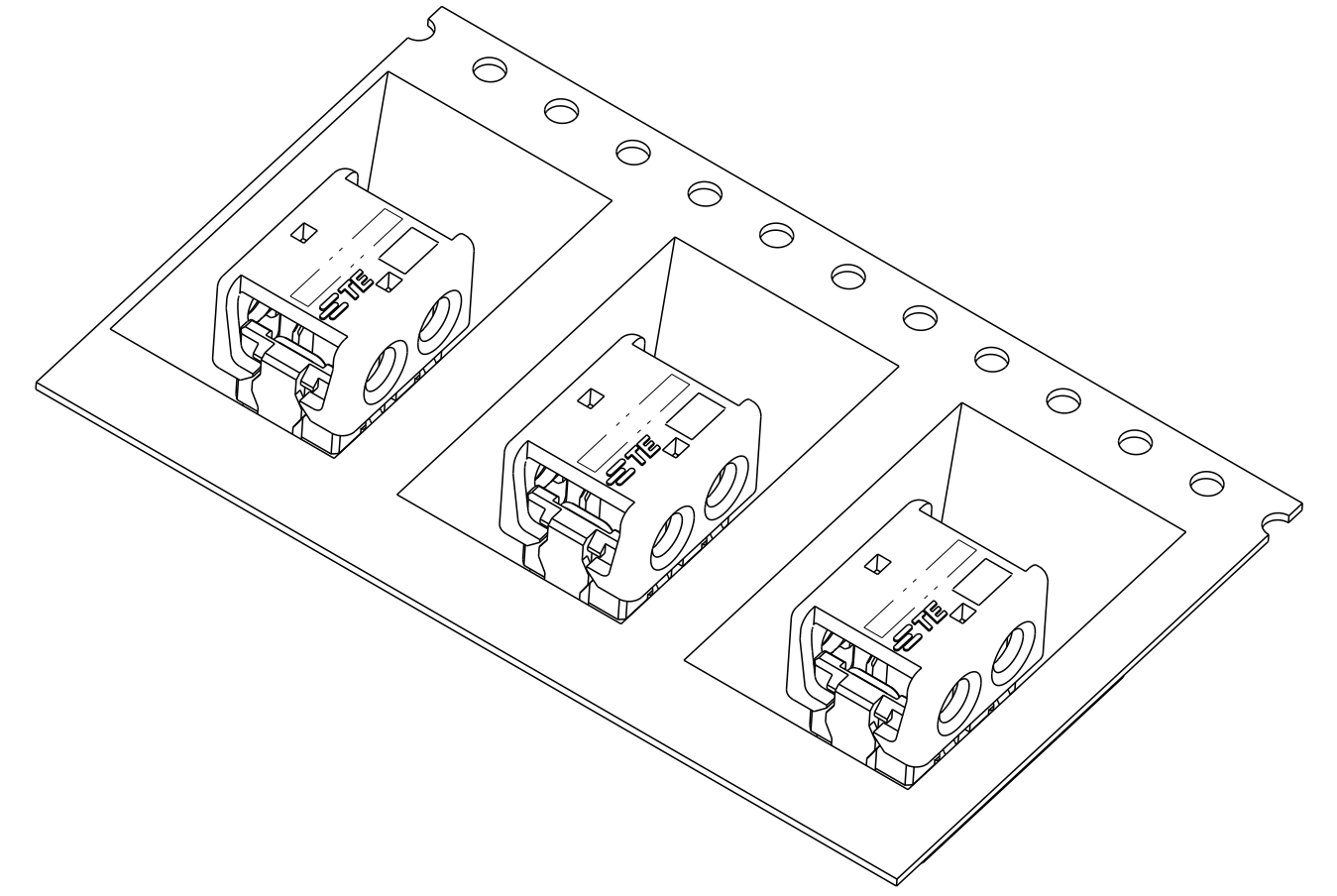
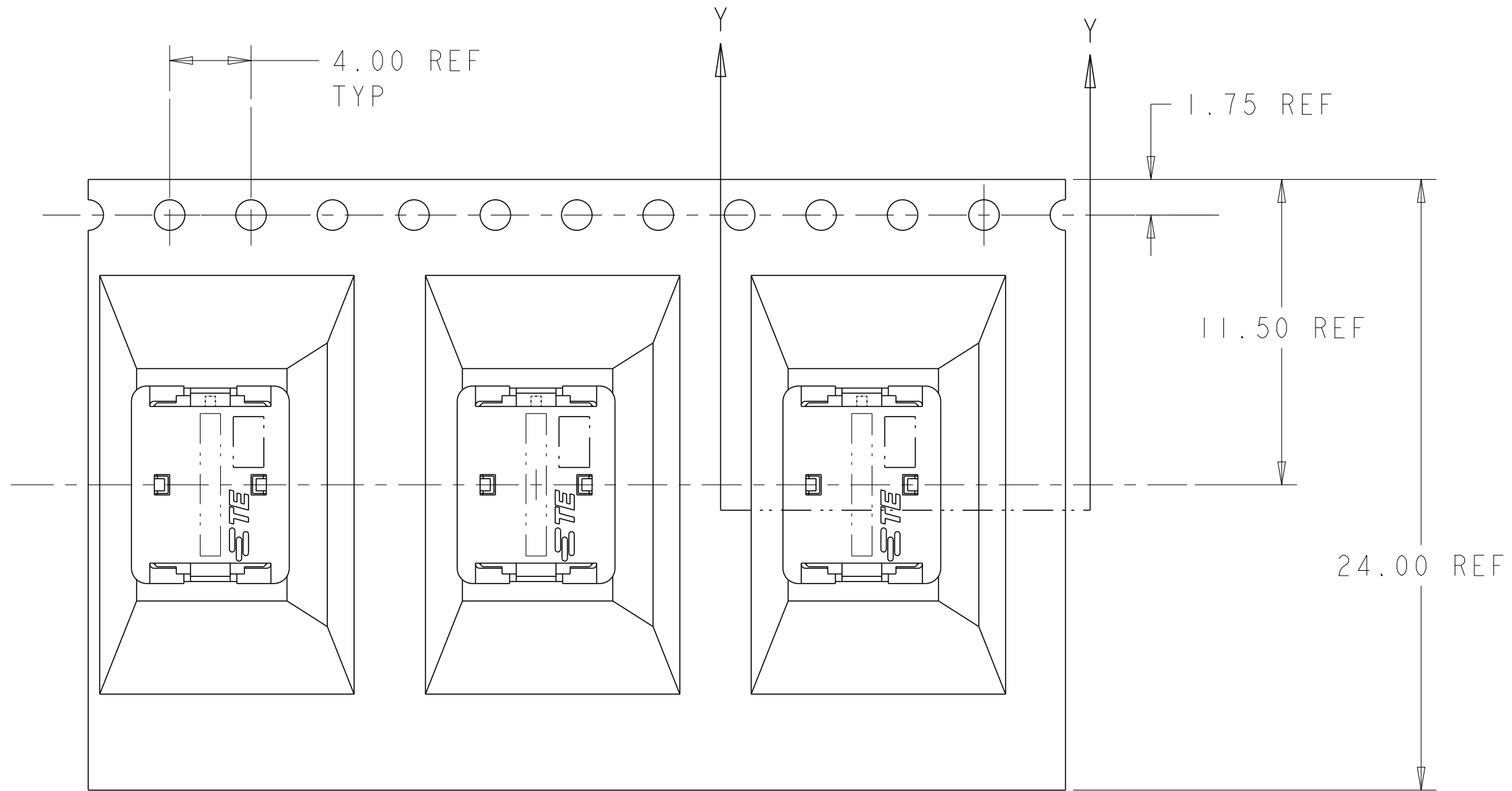
| LOC | | DIST | | REVISIONS | | | |
|-----|-----|-------------|--|-----------|-----|------|--|
| P | LTR | DESCRIPTION | | DATE | DWN | APVD | |
| - | - | SEE SHEET 1 | | - | - | - | |
| | | | | | | | |
| | | | | | | | |



| | | | | |
|--|--|-------------------------------|---|--|
| THIS DRAWING IS A CONTROLLED DOCUMENT. | | DWN C DAILY 11 JUN 2009 | TE Connectivity | |
| | | CHK O QSAGIE 11 JUN 2009 | | |
| DIMENSIONS: | TOLERANCES UNLESS OTHERWISE SPECIFIED: | APVD - | NAME ASSEMBLY, IDC SSL CONNECTOR, THROUGH HOLE, CLOSED END | |
| mm | 0 PLC ± | PRODUCT SPEC 108-2404 | SIZE CAGE CODE DRAWING NO A200779 C-2106489 | |
| | 1 PLC ±0.5 | APPLICATION SPEC 114-13266 | RESTRICTED TO - | |
| MATERIAL | 2 PLC ±0.13 | WEIGHT - | SCALE 8:1 SHEET 1 OF 3 REV C | |
| material_2 | 3 PLC ± | Customer Drawing | | |
| | 4 PLC ± | | | |
| | ANGLES ± | | | |
| | FINISH | | | |
| | finish_spec_2 | | | |


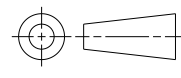
THIS DRAWING IS UNPUBLISHED. RELEASED FOR PUBLICATION 20
 © COPYRIGHT 20 BY - ALL RIGHTS RESERVED.

| LOC | | DIST | | REVISIONS | | | | |
|-----|-----|-------------|--|-----------|------|-----|------|--|
| P | LTR | DESCRIPTION | | | DATE | DWN | APVD | |
| - | - | SEE SHEET 1 | | | - | - | - | |
| | | | | | | | | |
| | | | | | | | | |



SECTION Y-Y

2106489-2 SHOWN IN POCKET TAPE

| | | | | | |
|---|--|--|---|---|--|
| THIS DRAWING IS A CONTROLLED DOCUMENT. | | DWN C DAILY 11 JUN 2009 |  TE Connectivity | | |
| | | CHK O. OSAGIE 11 JUN 2009 | | | |
| DIMENSIONS: mm | | TOLERANCES UNLESS OTHERWISE SPECIFIED: 0 PLC ± 1 PLC ±0.5 2 PLC ±0.13 3 PLC ± 4 PLC ± ANGLES ± FINISH - | | NAME ASSEMBLY, IDC SSL CONNECTOR, THROUGH HOLE, CLOSED END | |
|  | | PRODUCT SPEC 108-2404 | | SIZE CAGE CODE DRAWING NO A200779 C-2106489 | |
| MATERIAL material_2 | | APPLICATION SPEC 114-13266 | | RESTRICTED TO - | |
| finish_spec_2 | | WEIGHT - | | SCALE 8:1 SHEET 1 OF 3 REV C | |
| Customer Drawing | | APVD - | | DRAWING NO C-2106489 | |