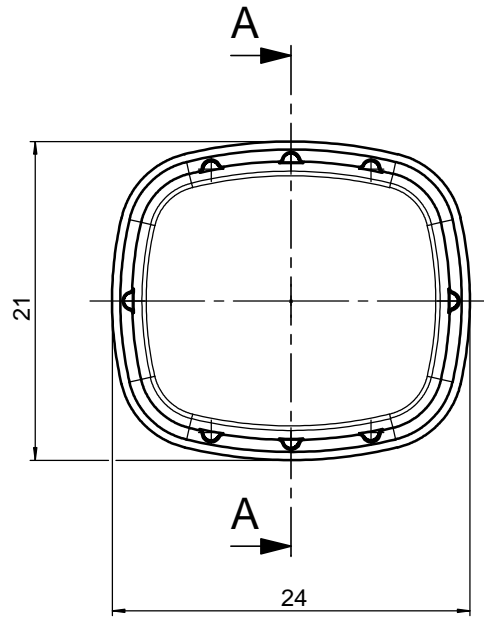
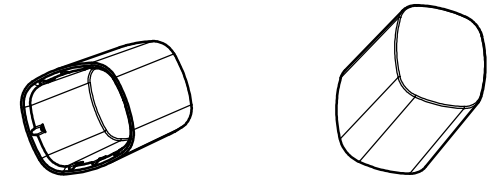
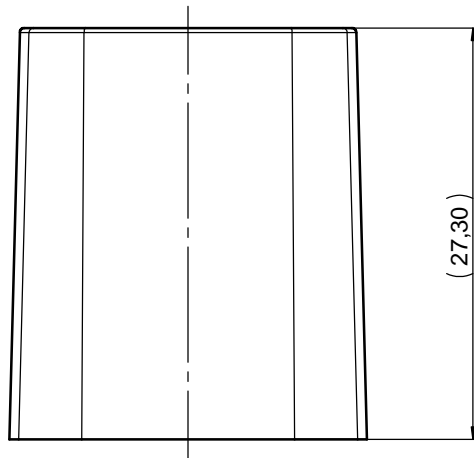
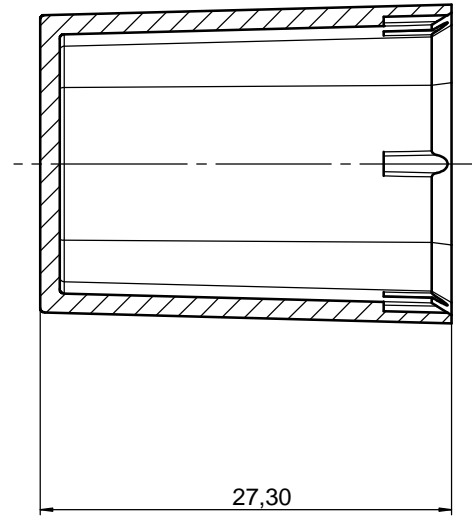


THE INFORMATION CONTAINED IN THIS DRAWING IS THE SOLE PROPERTY OF YAMAICHI ELECTRONICS DEUTSCHLAND GmbH. ANY REPRODUCTION IN PART OR WHOLE WITHOUT THE WRITTEN PERMISSION OF YAMAICHI ELECTRONICS DEUTSCHLAND GmbH IS PROHIBITED.



A-A



| | | | | | |
|--------------------------|--------|-------------------|------------------------------------|--------------|------------------|
| MATERIAL: PE transparent | | REV. | REVISION DESCRIPTION | INITIALS | REV. DATE |
| | | 5 | | | |
| | | 4 | | | |
| | | 3 | | | |
| | | 2 | | | |
| | | 1 | | | |
| DO NOT SCALE DRAWING | | | CLASSIFICATION: Customer-drawing | | |
| EDGES: | ANGLE: | SHAPE & POSITION: | DESIGN | NAME | DATE |
| | | | DRAWN | | |
| | | | CHECKED | | |
| ANGLE PROJECTION: | First | | Q.A. | | |
| | | | APPROVED | | |
| | | | TITLE: Y-ConAS-21 Cover Housing | | |
| | | | DWG NO.: Customer-P(090)P08 | | REV. ORIGIN A |
| | | | | | REV. - |
| | | | | SHEET 1 OF 1 | A3 - PART |

