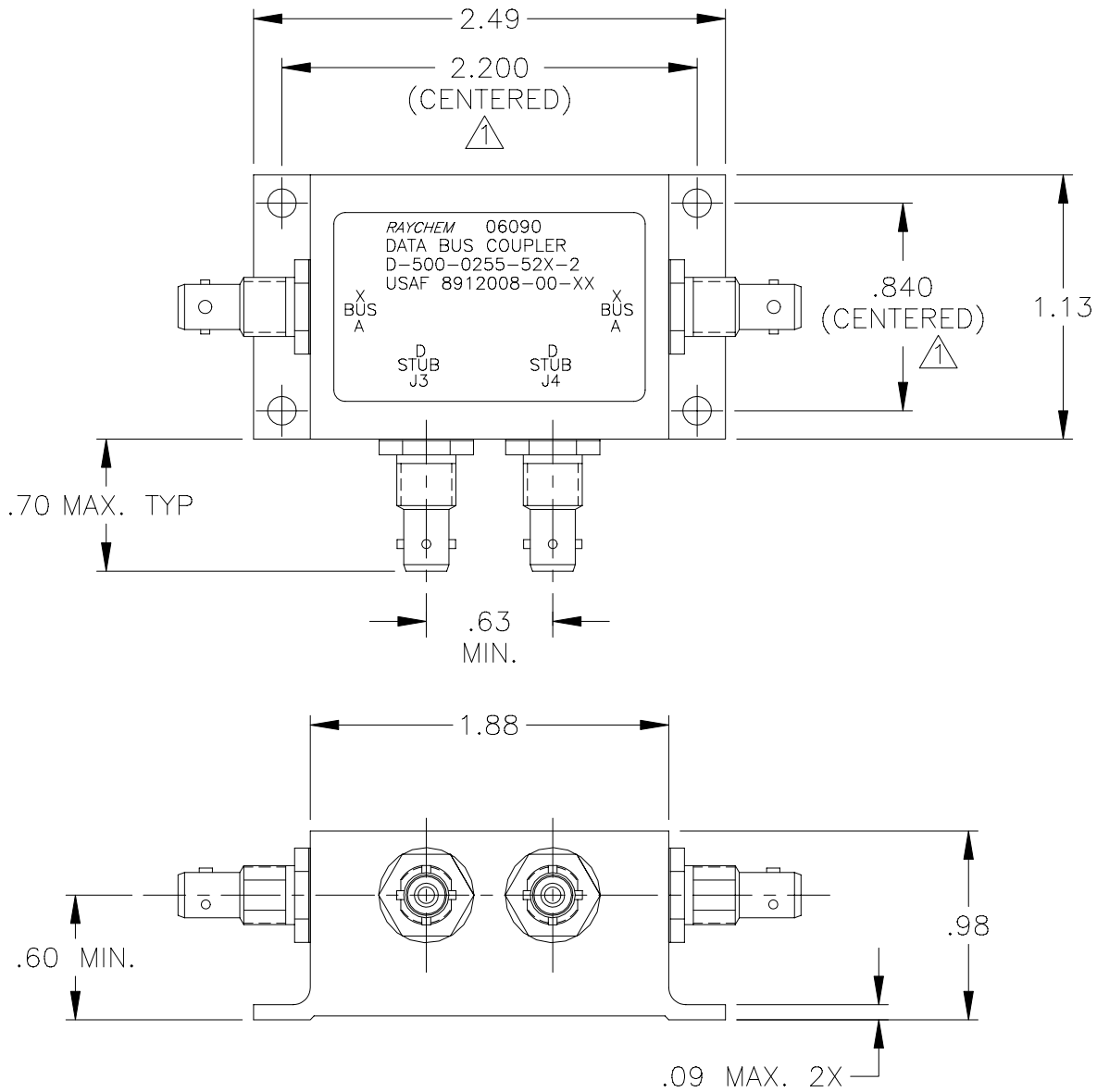


| REVISIONS |                          |           |          |
|-----------|--------------------------|-----------|----------|
| LTR       | DESCRIPTION              | DATE      | APPROVED |
| A         | REVISED PER ECN# T-16030 | 91 APR 1  | Z. TEMAN |
| B         | REVISED PER ECN# T-16342 | 91 JUN 10 | Z. TEMAN |
| C         | REVISED PER ECN# T-20111 |           |          |

NOTES:

△ HOLE PATTERN MACHINED SYMMETRIC TO MOUNTING FLANGE.



If this document is printed it becomes uncontrolled.  
Check for the latest revision.

## SPECIFICATION CONTROL DRAWING

UNLESS OTHERWISE SPECIFIED  
DIMENSIONS ARE IN INCHES.  
METRIC DIMENSIONS ARE  
IN BRACKETS.

DECIMALS  
.XXX ± .010 { — mm }  
.XX ± .03 { — mm }

ANGLES  
.X — ± —

WEIGHT  
88 GRAMS MAX.

|                        |          |          |
|------------------------|----------|----------|
| DRAWN                  | J.B.K.   | 90 APR 2 |
| CHECKED                |          |          |
| APPROVED               |          |          |
| APPROVED               | Z.TEMAN  | 90 APR 3 |
| CAD NAME               | 004931-1 |          |
| THIRD ANGLE PROJECTION |          |          |

|   |                 |  |              |  |  |
|---|-----------------|--|--------------|--|--|
|   |                 | Tyco Electronics Corporation<br>300 Constitution Drive<br>Menlo Park, CA. 94025 U.S.A. |              |  |  |
| TITLE   |                 |  |              |  |  |
| 2 STUB<br>DATA BUS COUPLER<br>WITH BAYONET CONNECTORS |                 |  |              |  |  |
| SIZE  | CODE IDENT. NO. | DWG. NO.   | REV          |  |  |
| A   | 06090           | D-500-0255-52X-2   | C            |  |  |
| DO NOT SCALE THIS DRAWING                             |                 |  | SHEET 1 OF 2 |  |  |

1.0 INTERMATEABILITY

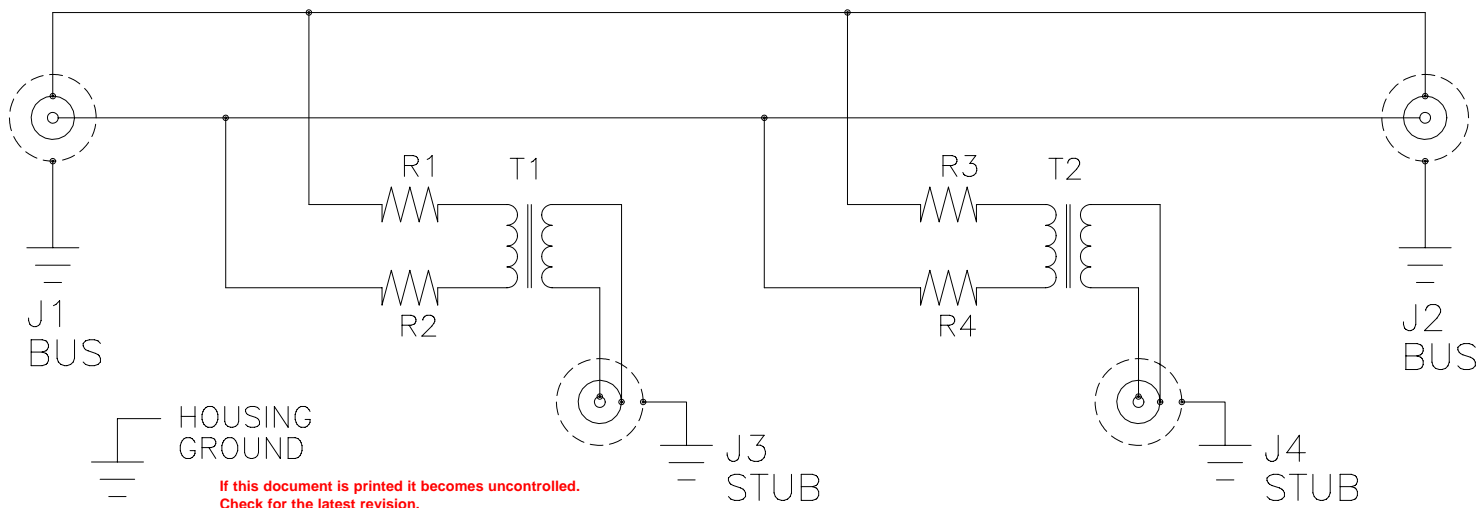
| CONNECTOR BOX JACK                | MATING PLUG                       | KEY ("X") |
|-----------------------------------|-----------------------------------|-----------|
| DK-621-0434-1S<br>(8912004-00-05) | DK-621-0433-1P<br>(8912003-00-01) | A         |
| DK-621-0436-2S<br>(8912004-00-06) | DK-621-0435-2P<br>(8912003-00-02) | B         |
| DK-621-0438-3S<br>(8912004-00-07) | DK-621-0437-3P<br>(8912003-00-03) | C         |
| DK-621-0440-4P<br>(8912004-00-04) | DK-621-0439-4S<br>(8912003-00-08) | D         |

2.0 PERFORMANCE

- 2.1 THIS COUPLER IS DESIGNED TO MEET THE APPLICABLE FUNCTIONAL REQUIREMENT OF RAYCHEM SPECIFICATION D-6021 AND USAF 8912008.
- 2.2 THE COUPLER SHALL OPERATE UNDER ANY OF THE ENVIRONMENTAL SERVICE CONDITIONS AS SPECIFIED IN MIL-E-5400, CLASS  $\nabla$  UPGRADED TO 125°C CONTINUOUS OPERATION.
- 2.3 ALTITUDE: SEA LEVEL TO 75,000 FEET
- 3.0

| D-500-0255                | BUS JACKS<br>J1 AND J2                | STUB JACKS<br>J3 AND J4               |
|---------------------------|---------------------------------------|---------------------------------------|
| -523-2<br>(8912008-00-28) | DK-621-0434-1S "A"<br>(8912004-00-05) | DK-621-0440-4P "D"<br>(8912004-00-04) |
| -525-2<br>(8912008-00-29) | DK-621-0436-2S "B"<br>(8912004-00-06) | DK-621-0440-4P "D"<br>(8912004-00-04) |
| -527-2<br>(8912008-00-30) | DK-621-0438-3S "C"<br>(8912004-00-07) | DK-621-0440-4P "D"<br>(8912004-00-04) |

SCHEMATIC DIAGRAM



If this document is printed it becomes uncontrolled.  
Check for the latest revision.

|                           |        |        |          |      |                 |                  |
|---------------------------|--------|--------|----------|------|-----------------|------------------|
| CAD NAME: 004931-2        | DRAWN  | J.B.K. | 90 APR 2 | SIZE | CODE IDENT. NO. | DWG. NO.         |
|                           | ISSUED |        |          | A    | 06090           | D-500-0255-52X-2 |
| DO NOT SCALE THIS DRAWING |        |        |          |      |                 | SHEET 2 OF 2     |