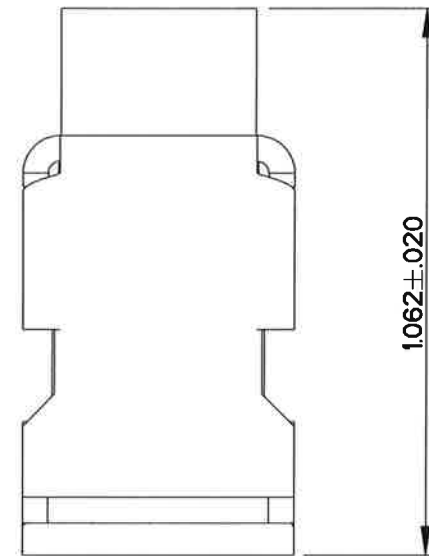
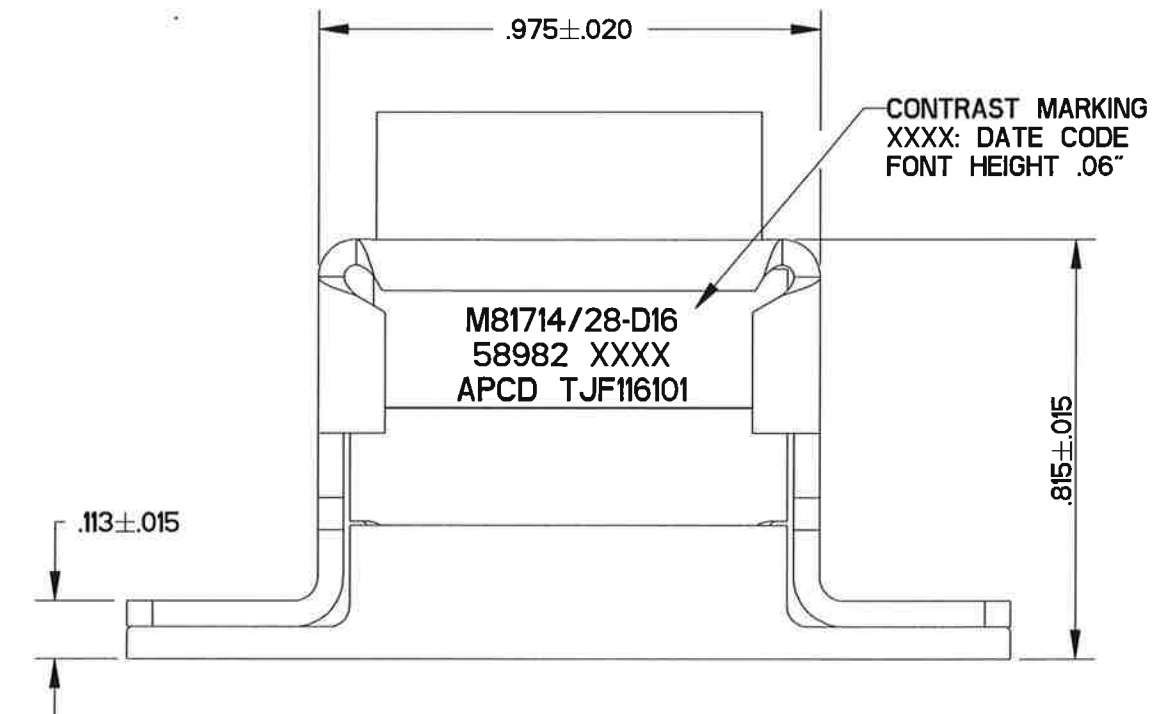
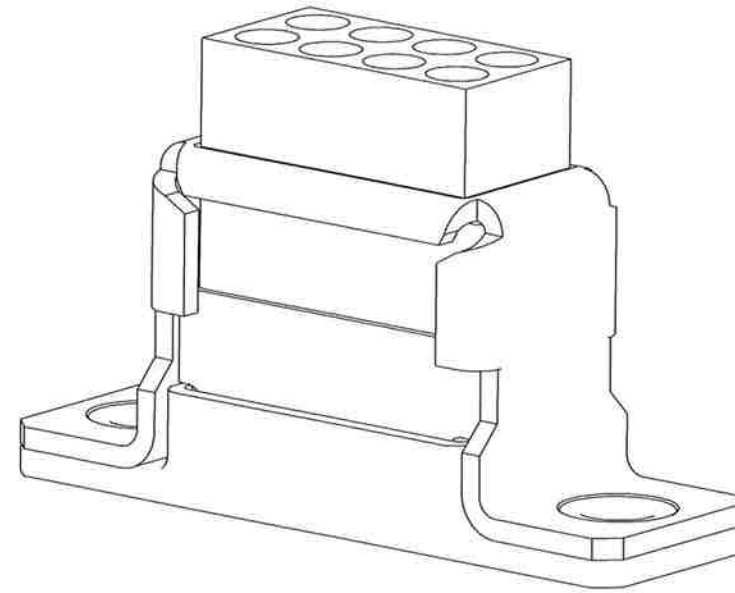
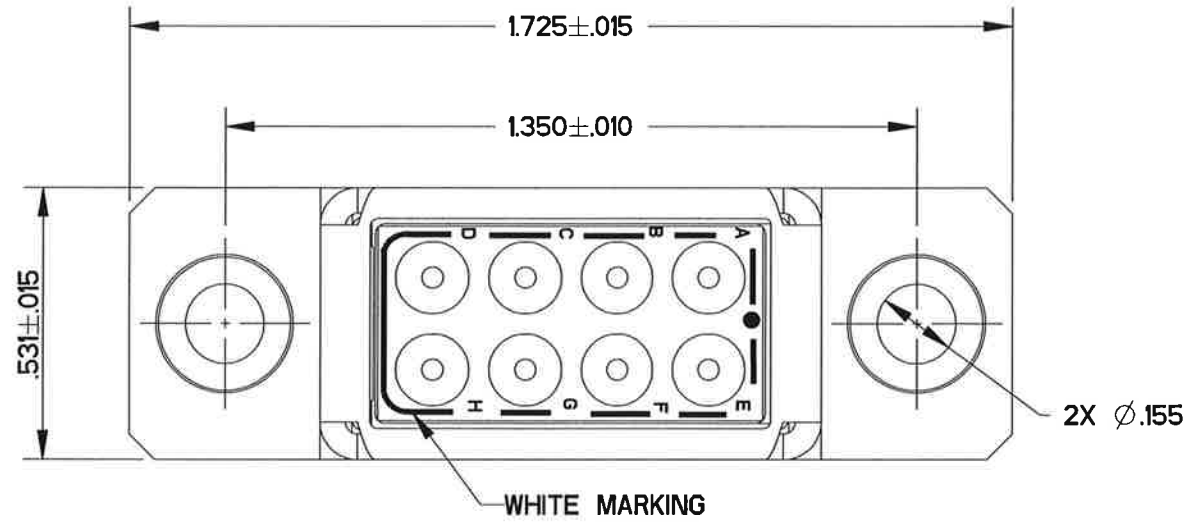


REV	ECN	APP'D
-	7314	JT 2/6/15
A	7535	JT 6/3/15
B	7625	JT 10/9/15
C	7658	JT 12/10/15
D	8247	WL 4/17/18



NOTES

- MATERIALS:
 - A) HOUSING - POLYETHERIMIDE, COLOR: BLACK.
 - B) GROMMET - SILICONE ELASTOMER, COLOR: BLUE.
 - C) INTERNAL CONTACTS - COPPER ALLOY, GOLD PLATED.
 - D) GROUND PLATE / BRACKET / WASHER - ALUMINUM ALLOY, ELECTROLESS NICKEL PLATED.
- PART WEIGHT 12.5 GRAMS.

APCD P/N	CONTACT SUPPLIED	MARKING P/N
TJF116100	NONE	M81714/28-D16 58982 XXXX
TJF116101	(8) M39029/1-102 (2) M527488-16	APCD TJF116101

DIMENSIONS	TOLERANCES	PROJECTION	TITLE		
ANSI Y14.5M UNITS: INCHES Pro/E FILE	.XX ±0.01 .XXX ±0.005 ANGLES ±2.0°		Amphenol Pcd SPECIFICATION DRAWING ENGR MICKEY.ZHANG Jan-20-15		
ORIGINAL	THIS DOCUMENT CONTAINS PROPRIETARY INFORMATION WHICH IS THE CONFIDENTIAL PROPERTY OF AMPHENOL PCD INC., BEVERLY, MA	CHKD <i>M. Zhang</i> 4/17/18 APPD <i>Esther Sun</i> 4/17/18	SIZE B	DWG NO. TJF116100_C	REV D
		CODE: 58982	SCALE: 8:3	SHEET 1 OF 1	