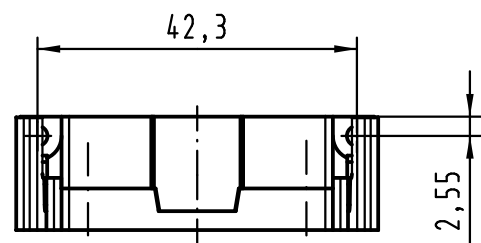
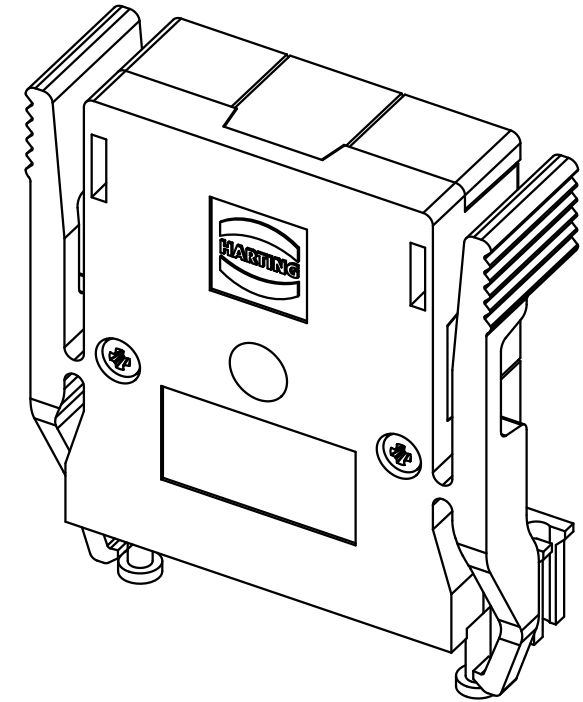
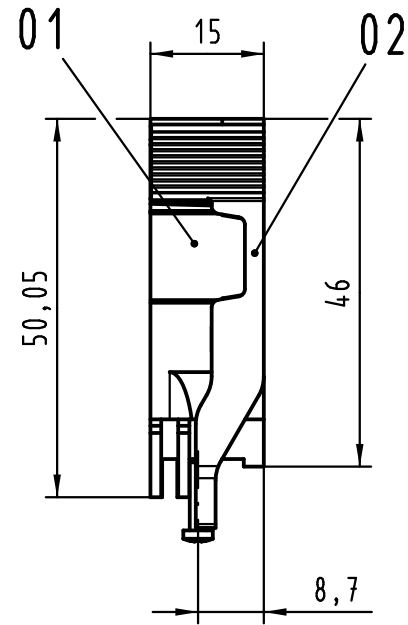
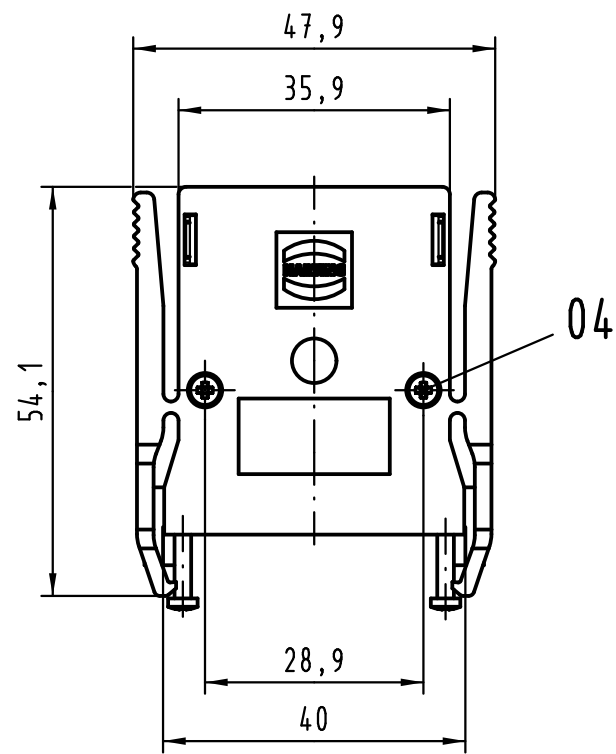
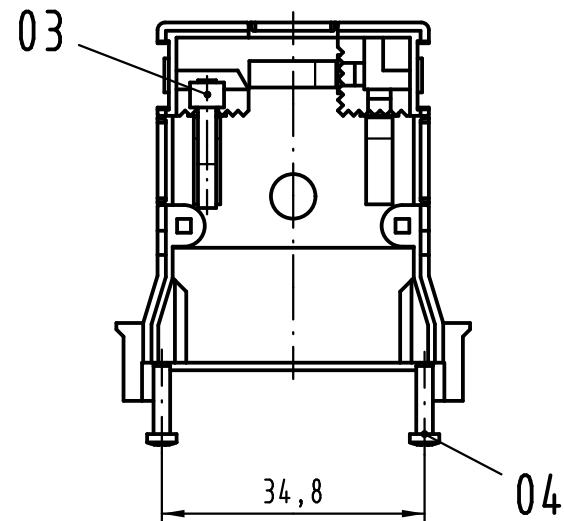


Alle Rechte vorbehalten/ All rights reserved



X

X  
geöffnet  
open



Teile nicht montiert  
parts not assembled

Inhalt Gehäuse-Set  
content shell housing-set

Ersatzteile  
spare parts

|    |   |  |                |   |
|----|---|--|----------------|---|
| 04 | 4 | PT-Schraube 2,2x9,5 - PZ1 / PT-screw 2,2x9,5 - PZ1 | 09 06 001 9974 | 1 |
| 03 | 1 | Kabelbinder / cable tie                            |                |   |
| 02 | 1 | Deckel / cover                                     |                |   |
| 01 | 1 | Grundschaale / shell                               |                |   |

| Pos.<br>pos. | Anzahl<br>number | Benennung<br>description | Artikel-Nr.<br>part-no. | Anzahl<br>number |
|--------------|------------------|--------------------------|-------------------------|------------------|
|--------------|------------------|--------------------------|-------------------------|------------------|

| All Dimensions in mm<br>Original Size DIN A 3   |          | Techn. Character.   |               | Nicht tolerierte Maß/Free size tolerances |      |      |               |         |          |                           |                |       |          |     |        |  |  |                                       |  |
|---|----------|---|---------------|---|------|------|---------------|---------|----------|---------------------------|----------------|-------|----------|-----|--------|--|--|---------------------------------------|--|
|   |          | <table border="1"> <thead> <tr> <th></th> <th>Dat.</th> <th>Name</th> <th>Maßstab/Scale</th> </tr> </thead> <tbody> <tr> <td>Detail.</td> <td>23.01.12</td> <td>hsv</td> <td rowspan="3">1:1</td> </tr> <tr> <td>Insp.</td> <td>23.01.12</td> <td>sja</td> </tr> <tr> <td>Stand.</td> <td></td> <td></td> </tr> </tbody> </table> |               |   | Dat. | Name | Maßstab/Scale | Detail. | 23.01.12 | hsv                       | 1:1            | Insp. | 23.01.12 | sja | Stand. |  |  | Schalengehäuse 3C<br>shell housing 3C |  |
|   | Dat.     | Name  | Maßstab/Scale |   |      |      |               |         |          |                           |                |       |          |     |        |  |  |                                       |  |
| Detail.   | 23.01.12 | hsv   | 1:1           |   |      |      |               |         |          |                           |                |       |          |     |        |  |  |                                       |  |
| Insp.   | 23.01.12 | sja   |               |   |      |      |               |         |          |                           |                |       |          |     |        |  |  |                                       |  |
| Stand.  |          |   |               |   |      |      |               |         |          |                           |                |       |          |     |        |  |  |                                       |  |
| 36479<br>Mod.   |          | HARTING Electronics GmbH & Co. KG<br>D-32339 ESPELKAMP  |               |   |      |      |               |         |          |                           |                |       |          |     |        |  |  |                                       |  |
| <table border="1"> <thead> <tr> <th>Mod.</th> <th>Dat.</th> <th>Name</th> </tr> </thead> <tbody> <tr> <td></td> <td></td> <td></td> </tr> </tbody> </table> |          | Mod.  | Dat.          | Name                                      |      |      |               |         |          | TB 09 25 030 0501<br>Sub. | Blatt/page<br> |       |          |     |        |  |  |                                       |  |
| Mod.  | Dat.     | Name  |               |   |      |      |               |         |          |                           |                |       |          |     |        |  |  |                                       |  |
|   |          |   |               |   |      |      |               |         |          |                           |                |       |          |     |        |  |  |                                       |  |