

General Specifications

Motor Protection:

Auto Restart

Insulation Resistance:

10M Ω or over with a DC500V Megger

Dielectric Withstand Voltage: AC 700V 1s

Allowable Ambient Temperature Range:

-10°C ~ +60°C (Operating)

-30°C ~ +70°C (Storage)

(non-condensing environment)

Expected Life

40°C 70,000 Hours (L10)

Material

Casing : Plastic (Black) UL94V-0

Impeller : Plastic (Black) UL94V-0

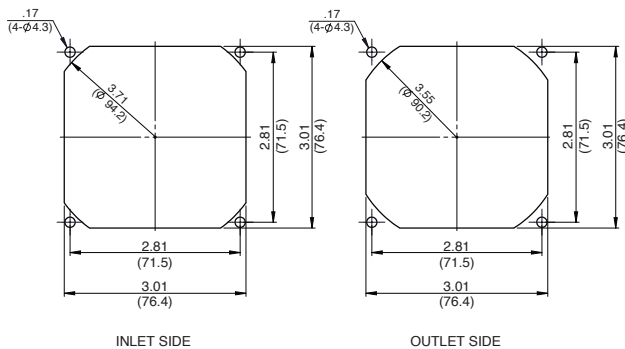
Bushing : Plastic (Black)

Bearing : Ball Bearing

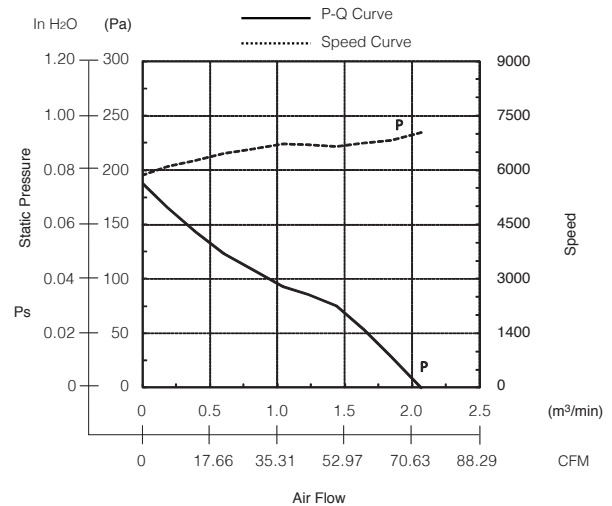
Lead Wire : UL1430, AWG24, +Red, -Black

Panel Cut-Outs

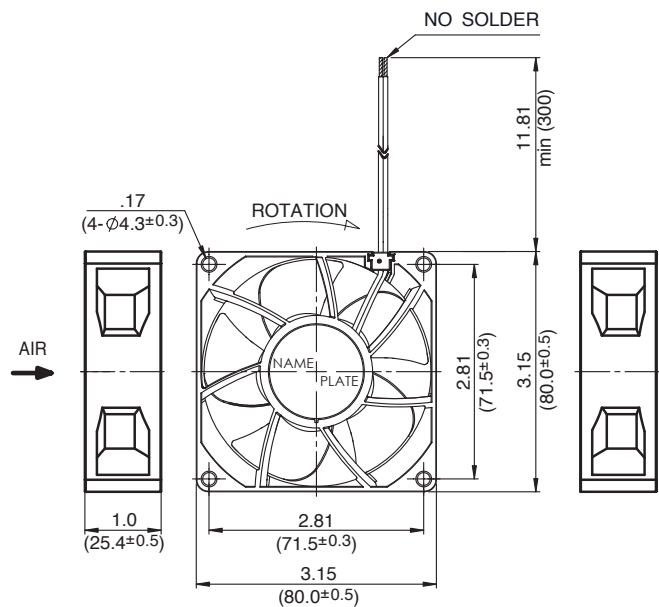
Units: $\frac{\text{inch}}{\text{mm}}$



Characteristic Curves



Outline



Specifications

MODEL	Rated Voltage	Operating Voltage	Current	Input Power	Speed	Max. Air Flow		Max. Static Pressure		Noise	Mass
	(V)	(V)	(A) ^{*1}	(W) ^{*1}	(min ⁻¹) ^{*1}	CFM ^{*1}	(m ³ /min) ^{*1}	in H ₂ O	(Pa) ^{*1}	(dB) ^{*1}	(g)
08025DA-12P-AA-00	12	7.0 ~ 13.2	0.49	5.88	7000	72.40	2.05	0.75	186	53.0	120

Rotation: Clockwise

Airflow Outlet: Air Out Over Struts

*1: Average Values in Free Air

Note: PWM/Locked Rotor/Tach Available