

PART NAME: KNOB

SCALE: 1:1

DATE: 7/22/91

DR. BY HD


 DESIGNERS & MANUFACTURERS
 OF KNOBS, HANDLES, CASES &
 CUSTOM PLASTIC COMPONENTS

P/N 3036-L

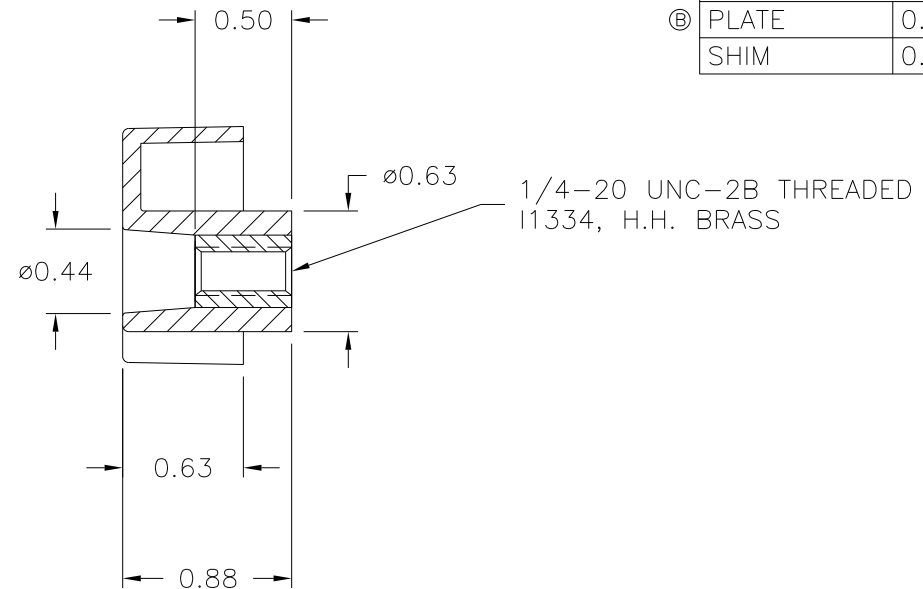
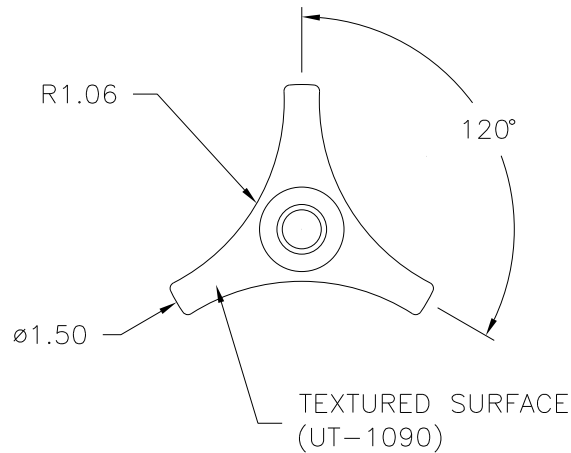
 THIS DRAWING IS THE PROPERTY OF DAVIES MOLDING COMPANY, IS SUBMITTED SOLELY AS A DESIGN OR ENGINEERING PROJECT.
 WE ACCEPT NO RESPONSIBILITY WHATSOEVER FOR THE PRACTICAL APPLICATION OF THE PIECES MADE TO THIS DESIGN.
M^{NO.} 38 #1

CAVITY	3036
CORE	3036
CAVITY PLUG	3036-H-1
SLEEVE	2780
PIN	2780-1
© PIN SHIM	0.015
Ⓐ SHIMS	.306+.241+.015
INSERT	11334

S.O. # 17402

M^{NO.} 38 #2

Ⓑ PLATE	0.548
SHIM	0.030


 MATERIAL: 20% TALC FILLED POLYPROPYLENE
 COLOR: BLACK

 TOLERANCES:
 UNLESS OTHERWISE SPECIFIED

 DO NOT SCALE
 DRAWING

 DECIMALS: X.XXX ± .005
 X.XX ± .015

 MM: X.XX ± 0.15MM
 X.X ± 0.4MM

FRACTIONS ± 1/64

ANG. ± 1°

C	ADDED SHIM UNDER PIN	TS	12/9/02
B	CORRECTED SHIM	TS	8/29/02
A	ADDED 0.015 SHIM	JAM	6/5/00
-	CORRECTED DRAWING	TL	6/22/99
-	CAD REDRAW	HD	6/15/92

CHANGES