



# har-flexicon 1,27 female connector, horizontal



## General information

Design	female connector	
No. of contacts	4-poles	
Contact pitch	1,27 mm	
Test voltage	500 V	
Rated voltage	16 V	overvoltage category II / pollution degree 2
Contact resistance	max. 20mOhm	
Insulation resistance	min. 10 <sup>9</sup> Ohm	
Working current	2,7A at 70°C ( tested with AWG26/19, see derating diagram )	
Temperature range	-40°C ... +125°C	
Termination technology	IDC	
Clearance & creepage distance	Clearance: min. 0,45 mm	Creepage: min. 0,45 mm
Insertion force	7 N	
Withdrawal force	11 N	
Hot plugging	No	
vibration	10-2000Hz, 1,5mm/20g; 10 sweep cycles	
shock	50g/ 11ms; 10 shocks par axis and direction	
RoHS - compliant	Yes	
UL file	E 102079	

## Insulator material

Material	LCP (liquid crystalline polymer, glass fiber reinforcement 30%)
Color	black
UL classification	UL 94-V0
Material group acc. IEC 60664-1	IIIa (175 < CTI < 400)
NFF classification	-

## Contact material

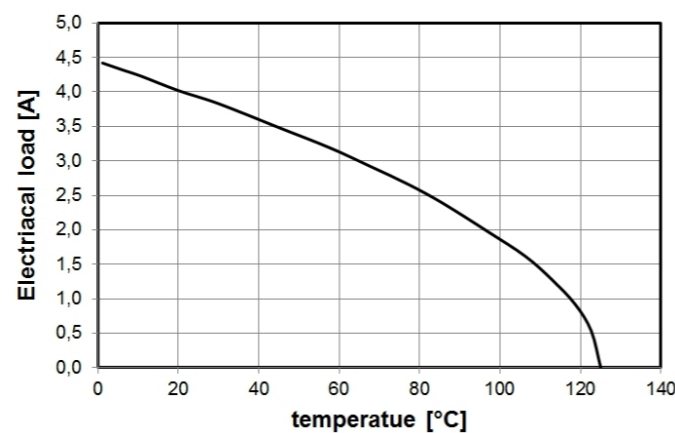
Contact material	Copper alloy
Plating termination zone	Sn over Ni
Plating contact zone	Au over Ni

## Derating diagram acc. to IEC 60512-5-2 (Current carrying capacity)

The current carrying capacity is limited by maximum temperature of materials for inserts and contacts including terminals.

The current capacity curve is valid for continuous, non interrupted current loaded contacts of connectors when simultaneous power on all contacts is given, without exceeding the maximum temperature.

Control and test procedures according to IEC 60512-5-2



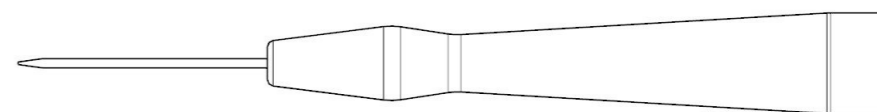
tested with AWG26/19

## Connection data

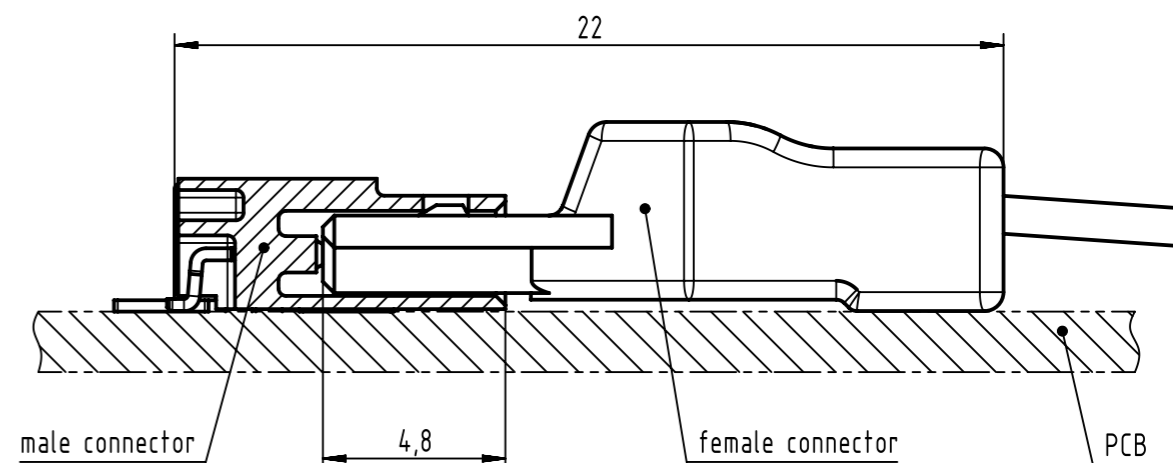
Conductor cross section solid min./max.	-
Conductor cross section stranded min./max.	0,08mm <sup>2</sup> / 0,14mm <sup>2</sup>
Conductor cross section stranded, with ferrule, min./max.	-
Max. conductor size: solid/stranded (with a reduction of the voltage to 32V at III/2)	0,75mm <sup>2</sup>
Max. insulation diameter	2,1 mm
Minimum AWG	28
Maximum AWG	26
Stripping length	0 mm
reconnection to the same gauge	3 times
Insulation-diameter	max. 1,0 mm
Insulation-material	Polyethylen (PE)

## Recommended tools

part number	1499000002
-------------	------------



## Application information



	All rights reserved	Created by	Inspected by	Standardisation	Date	State	
	Department EC PD - CN	ZENG D	LUOK	HOFFMANN	2017-02-16	Final Release	
HARTING Electronics GmbH D-32339 Espelkamp		Title har-flexicon 1,27 female connector horizontal				Doc-Key / ECM-Nr. 100533482/UGD/001/E 500000115651	
		Type	Number	Rev.		Page	
		DS	14312100601	E		1/1	

# Mouser Electronics

Authorized Distributor

Click to View Pricing, Inventory, Delivery & Lifecycle Information:

[HARTING:](#)

[14310410301000](#)