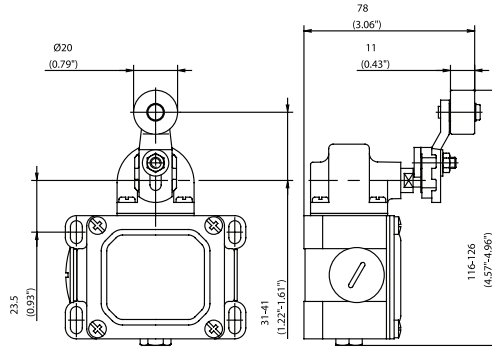


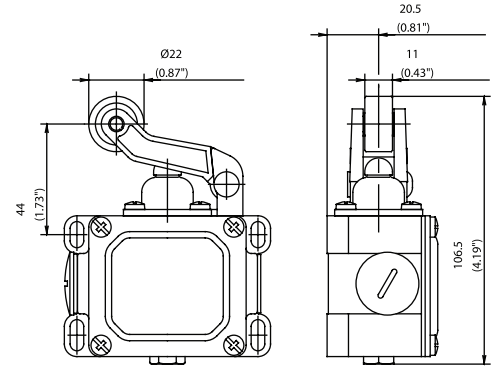
**D Series**



**AH**



**HW**



Switching Operation	Slow Action	Snap Action	Slow Action	Snap Action
<b>1 NC / 1 NO Contacts</b>	<b>604.1135.019</b> D-U1 AH 	<b>604.1185.173</b> D-SU1 AH 	<b>604.1121.010</b> D-U1 HW 	<b>604.1171.164</b> D-SU1 HW 
<b>2 NC Contacts</b>	<b>604.1835.107</b> D-A2 AH 	-	-	-
<b>2 NO Contacts</b>	<b>614.1835.709</b> D-E2 AH 	-	-	-
<b>1 NC / 1 NO Contacts Overlapping</b>	-	-	<b>604.1321.142</b> D-UV1Z HW 	-
<b>Replacement actuator:</b>	<b>391.4350.924</b>		<b>391.4211.065</b>	

Technical Information	Slow Action	Snap Action	Slow Action	Snap Action
Maximum Switching Voltage	240V	240V	240V	240V
Max. Switching Amps (up to)*	10A	10A	10A	10A
B10d (up to)*	20 Million	20 Million	20 Million	20 Million
Mechanical Service Life (up to)*	3 x 10 <sup>6</sup>	10 x 10 <sup>6</sup>	10 x 10 <sup>6</sup>	10 x 10 <sup>6</sup>
Switching Frequency	≤ 100/min	≤ 100/min	≤ 100/min	≤ 100/min
Operating Temperature	-30 °C to +80 °C	-30 °C to +80 °C	-30 °C to +80 °C	-30 °C to +80 °C
Protection Rating	IP65	IP65	IP65	IP65
Utilization Category (up to)*	AC-15, Ue/Ue 240V 3A	AC-15, Ue/Ue 240V 3A	AC-15, Ue/Ue 240V 3A	AC-15, Ue/Ue 240V 3A
Rate Insulation Voltage	400VAC	400VAC	400VAC	400VAC

Approvals \* Depending on switching system - see technical information for details



**Special features/variants (on request)**

- Available steel and different diameter rollers, different lever lengths and additional contacts:  
3 NC overlapping contact (larger enclosure)  
2 NC / 2 NO contact (larger enclosure)

- Available steel with higher temperature range, and additional contacts:  
3 NC overlapping contact (larger enclosure)  
2 NC / 2 NO contact (larger enclosure)

Drawing dimensions in mm