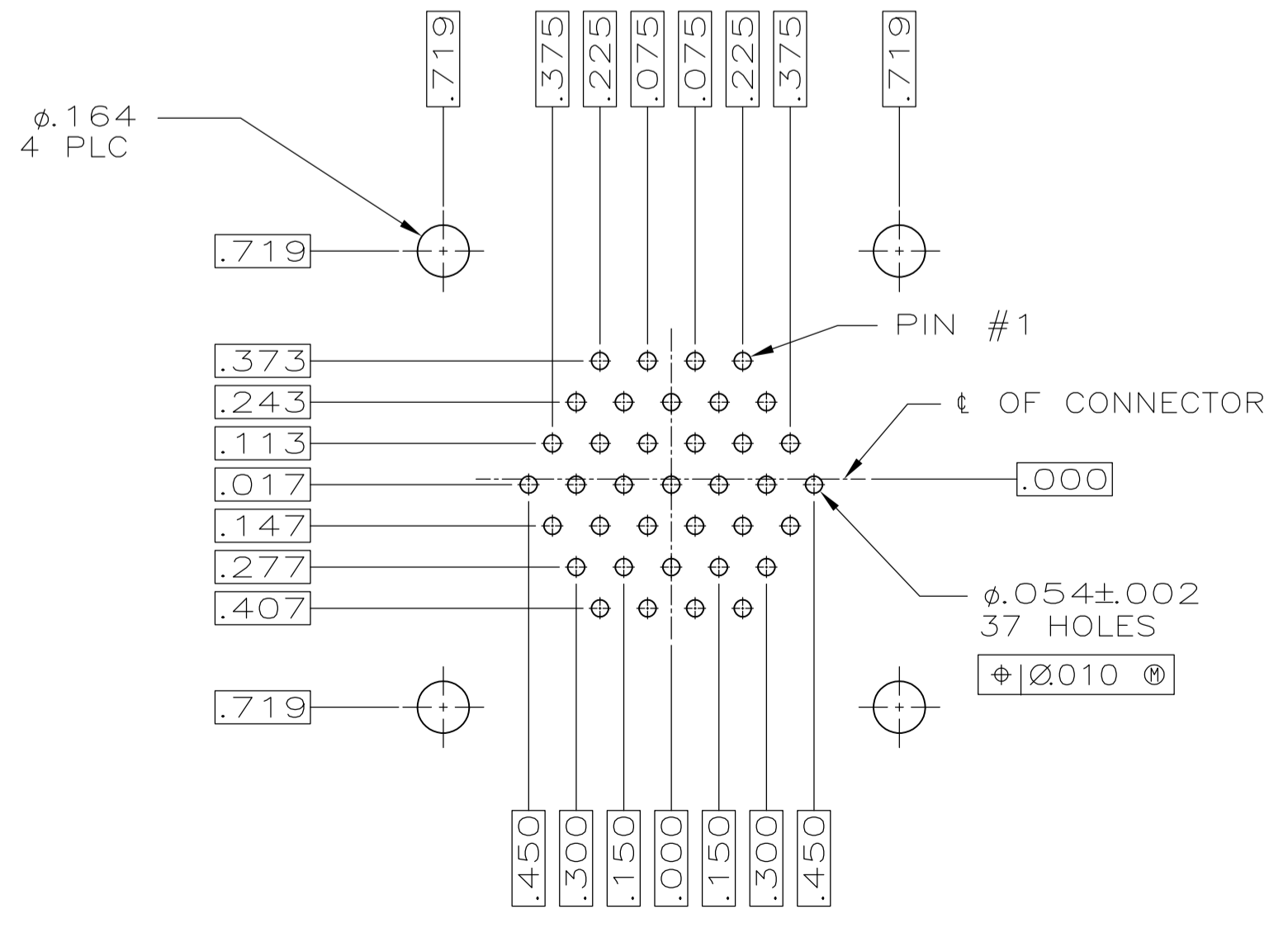
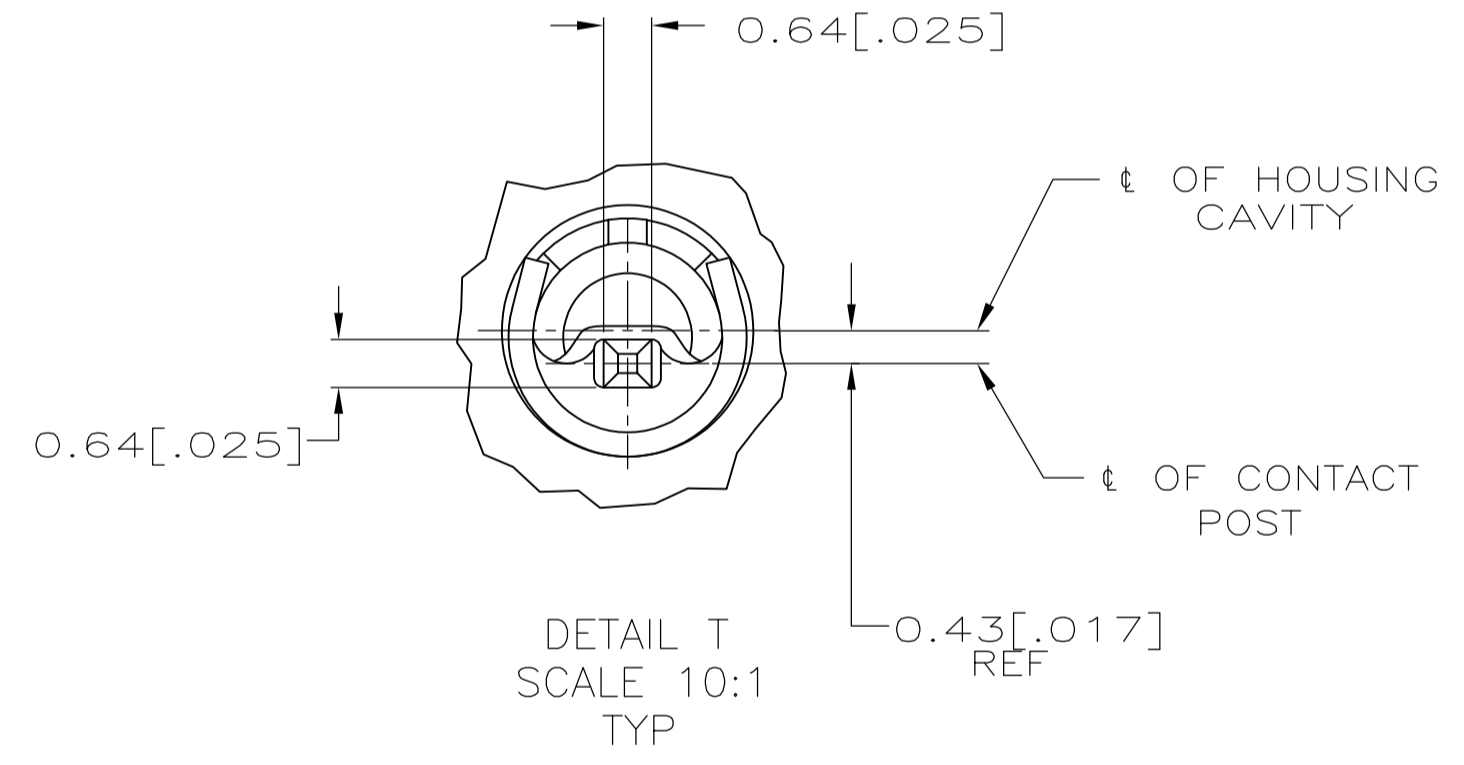
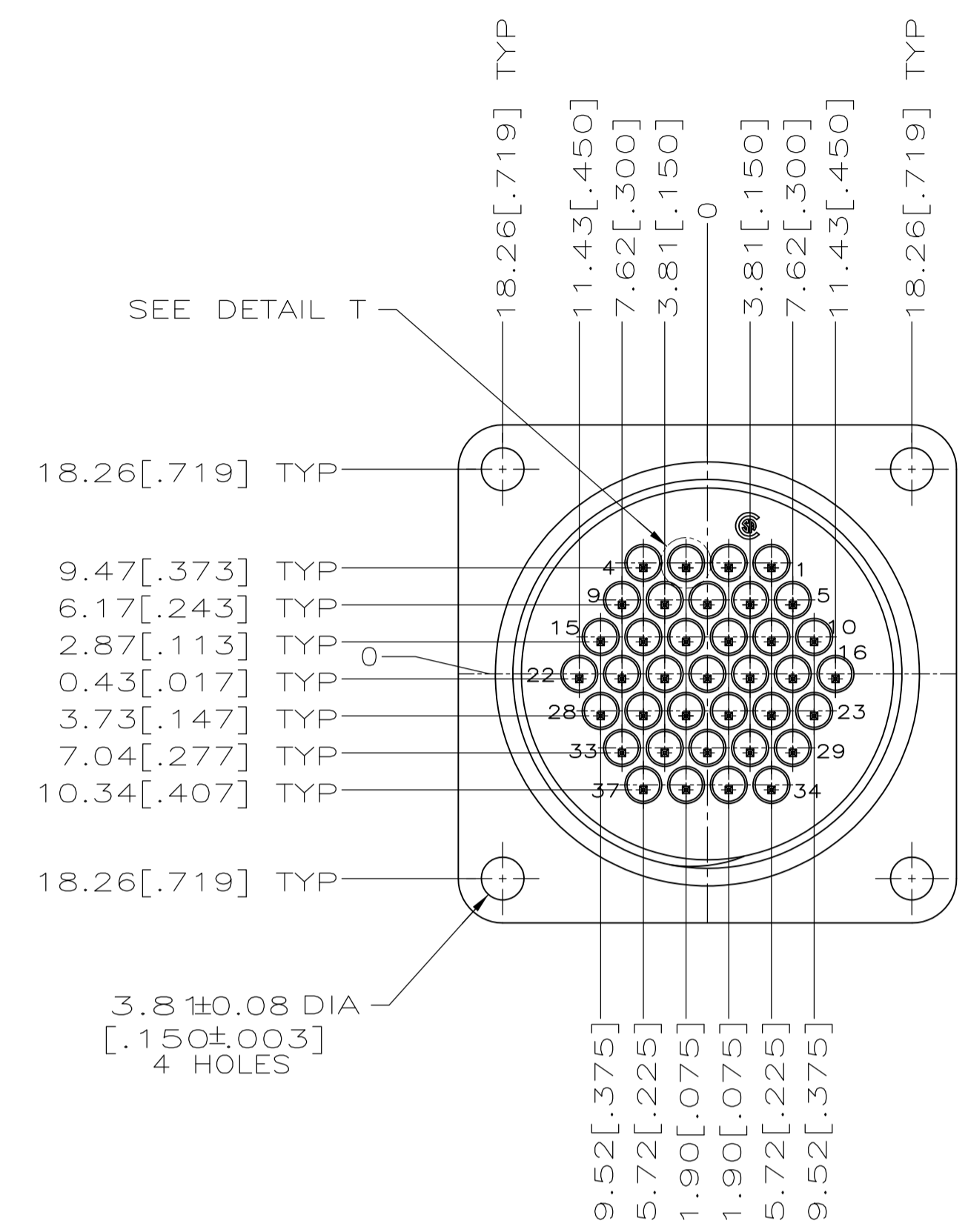
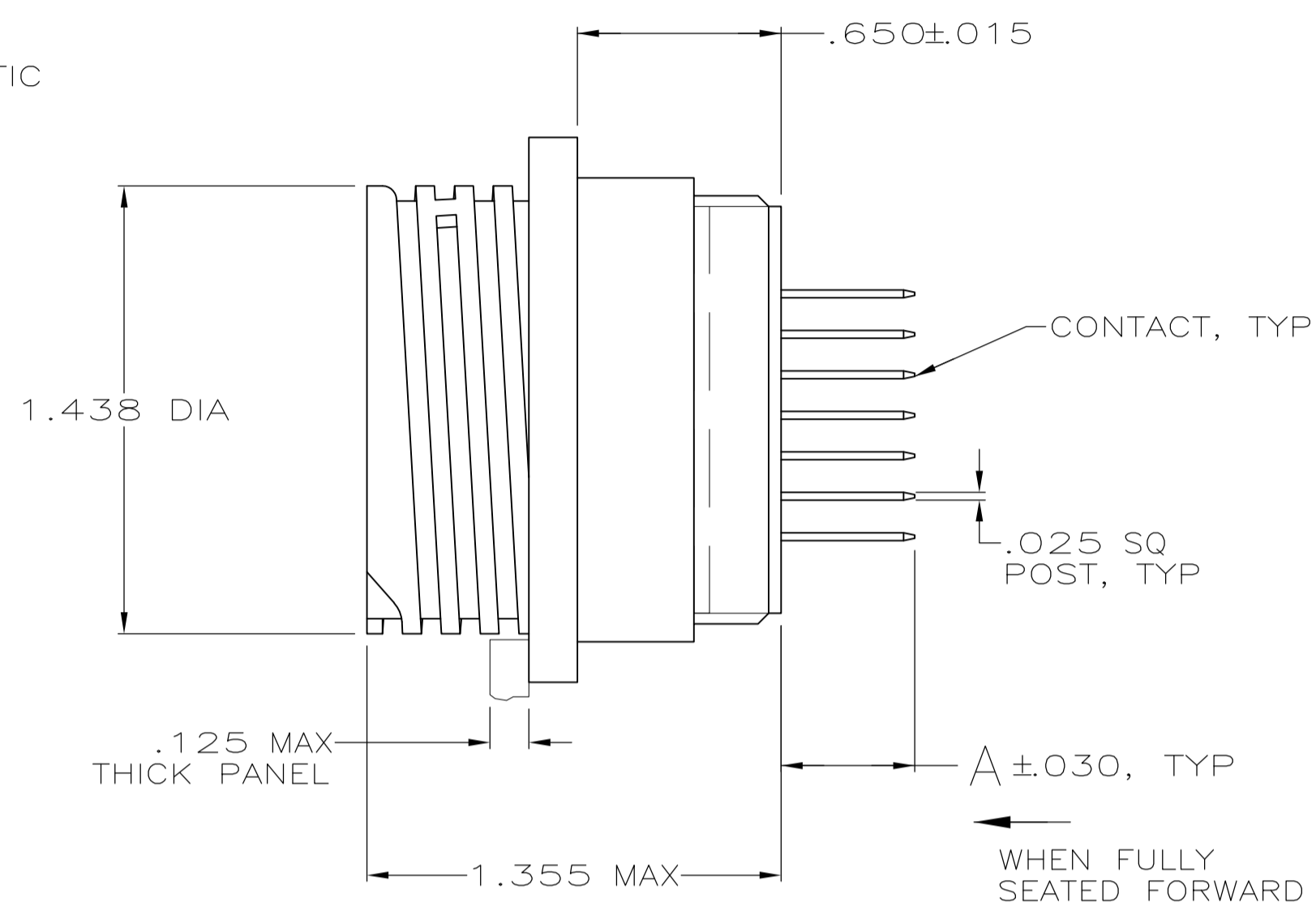
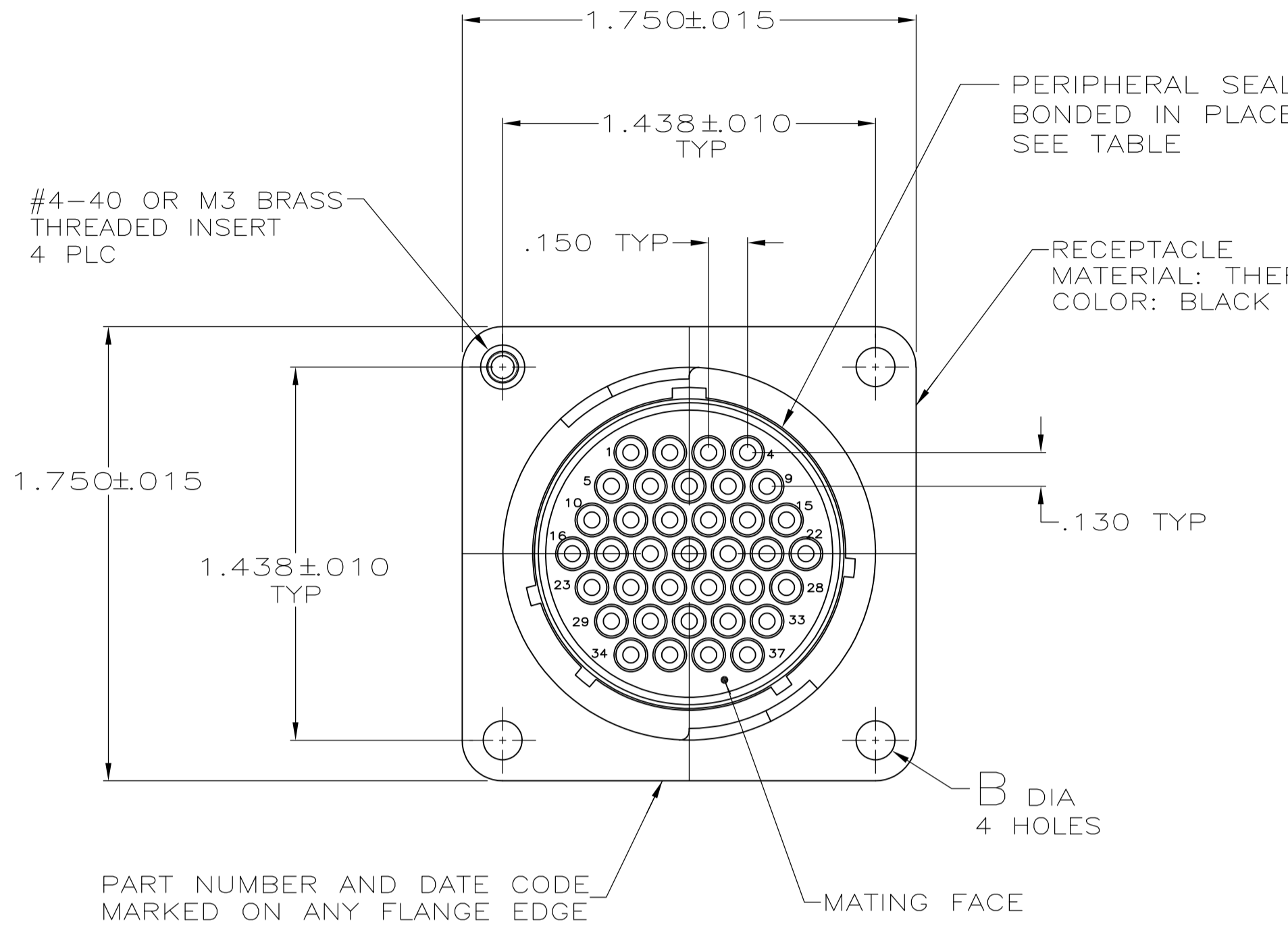


REVISIONS					
P	LTR	DESCRIPTION	DATE	DMN	APVD
AF5	REVISED PER ECO-16-004800		12SEP2016	NK	MZ
AG	REVISED PER ECO-17-004657		05APR2017	RS	MZ



- 1 CONNECTOR WILL ACCEPT POSTED TYPE III+ PIN CONTACTS.
- 2 CONTACT BODY: SELECT GOLD OVER NICKEL. CONTACT POST: TIN-LEAD PER MIL-T-10727 OVER COPPER PER MIL-C-14550A.
- 3 RECOMMENDED PC BOARD HOLE SIZE FOR CONTACT POST: 1.02±.08[.040±.003] DIA.
- 4
- 5 CONTACT BODY: SELECT GOLD OVER NICKEL. CONTACT POST: TIN OVER NICKEL.
- 6 POSITIONS LOADED WITH CONTACTS: 1-4, 10-17, 19-22, 24, 25, 29, 30, 32, 33.
- 7 POSITIONS LOADED WITH CONTACTS: 1-20, 22-28, 30-37.
- 8 OBSOLETE PARTS: OBSOLETE CIS STREAMLINING PER D.RENAUD/D.SINISI.
- 9 CONTACT BODY: TIN OVER NICKEL. CONTACT POST: TIN OVER NICKEL.
- 10 CONTACT BODY: SELECT GOLD OVER NICKEL. CONTACT POST: TIN/LEAD OVER NICKEL.
- 11 CONTACT BODY: TIN/LEAD OVER NICKEL. CONTACT POST: TIN/LEAD OVER NICKEL.

OBSOLETE	5	NO	YES	YES	-	.170	2-206934-9
OBSOLETE	5	NO	YES	NO	-	.413	2-206934-8
PRELIMINARY	5	NO	YES	NO	-	.257	2-206934-7
OBSOLETE	9	NO	YES	YES	-	.119	2-206934-6
OBSOLETE	5	NO	NO	NO	.150±.003	.240	2-206934-5
OBSOLETE	10	NO	NO	NO	.150±.003	.220	2-206934-3
OBSOLETE	5	NO	NO	YES	.150±.003	.119	2-206934-2
OBSOLETE	5	NO	NO	NO	.150±.003	.119	2-206934-1
OBSOLETE	5	NO	YES	YES	-	.618	2-206934-0
OBSOLETE	5	NO	NO	NO	.150±.003	.618	1-206934-9
OBSOLETE	5	NO	NO	NO	.150±.003	.429	1-206934-8
OBSOLETE	5	NO	YES	YES	-	.119	1-206934-7
OBSOLETE	10	NO	NO	YES	.150±.003	.429	1-206934-5
OBSOLETE	10	NO	YES	NO	-	.618	1-206934-4
OBSOLETE	10	NO	YES	NO	-	.220	1-206934-3
OBSOLETE	11	NO	NO	NO	.150±.003	.429	1-206934-2
OBSOLETE	5	NO	NO	NO	.150±.003	.220	1-206934-1
OBSOLETE	10	YES	NO	YES	-	.119	1-206934-0
OBSOLETE	10	YES	YES	YES	-	.119	206934-9
OBSOLETE	10	NO	NO	NO	.150±.003	.618	206934-7
OBSOLETE	10	NO	NO	NO	.150±.003	.429	206934-6
OBSOLETE	10	NO	NO	NO	.150±.003	.119	206934-5
OBSOLETE	10	NO	YES	NO	-	.220	206934-4
OBSOLETE	10	NO	NO	NO	.158±.001	.618	206934-3
OBSOLETE	10	NO	NO	NO	.158±.001	.429	206934-2
OBSOLETE	10	NO	NO	NO	.150±.003	.220	206934-1
CONTACT FINISH	M3	4-40	PERIPHERAL SEAL	B	A	PART NUMBER	

THIS DRAWING IS A CONTROLLED DOCUMENT. DIMENSIONS: mm. TOLERANCES UNLESS OTHERWISE SPECIFIED: 0 PLC ±.005, 1 PLC ±.005, 2 PLC ±.005, 3 PLC ±.005, 4 PLC ±.005, ANGLES ±.005. MATERIAL: SEE CALLOUT. CONTACT: SEE CALLOUT. WEIGHT: -. SIZE: A1. CUSTOMER DRAWING. SCALE: 2:1. SHEET: 1 OF 1. REV: AG.

DIN: J.GALLUCCI 5-30-91. CIRK: W.G.LENKER 4-14-92. APVD: K.BEAVER 4-14-92. NAME: RECEPTACLE ASSEMBLY, POSTED, STD SEX, SERIES 1, 23-37, CPC. PRODUCT SPEC: 108-10024. APPLICATION SPEC: -. DRAWING NO: 00779. SHEET: 1 OF 1. REV: AG.

**STE** TE Connectivity