

PLEASE CHECK WWW.MOLEX.COM FOR LATEST PART INFORMATION

Part Number: [0534080879](#)
Status: **Active**
Description: 1.00mm Pitch Plug, Surface Mount, Dual Row, Vertical Stacking, 18.00mm Stack Height, 80 Circuits

Documents:

[3D Model](#) [Packaging Specification SPK-53408-001 \(PDF\)](#)
[Drawing \(PDF\)](#) [RoHS Certificate of Compliance \(PDF\)](#)
[Product Specification PS-52584-003 \(PDF\)](#)

General

Product Family	PCB Headers
Series	53408
Application	Board-to-Board, Signal
Product Name	N/A
UPC	822348189885

Physical

Breakaway	No
Circuits (Loaded)	80
Circuits (maximum)	80
Color - Resin	Natural
Durability (mating cycles max)	50
First Mate / Last Break	No
Glow-Wire Compliant	No
Guide to Mating Part	No
Keying to Mating Part	None
Lock to Mating Part	None
Mated Height	18.00mm
Material - Metal	Phosphor Bronze
Material - Plating Mating	Gold
Material - Plating Termination	Tin
Material - Resin	High Temperature Thermoplastic
Net Weight	4313.800/mg
Number of Rows	2
Orientation	Vertical
PCB Locator	Yes
PCB Retention	Yes
PCB Thickness - Recommended	1.00mm
Packaging Type	Tube
Pitch - Mating Interface	1.00mm
Plating min - Mating	0.254µm
Plating min - Termination	1.016µm
Polarized to PCB	No
Shrouded	Fully
Stackable	No
Temperature Range - Operating	-55°C to +85°C
Termination Interface: Style	Surface Mount

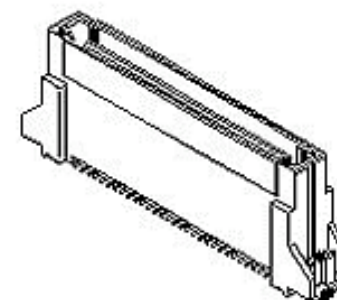
Electrical

Current - Maximum per Contact	0.5A
Voltage - Maximum	100V

Material Info

Reference - Drawing Numbers

Packaging Specification	SPK-53408-001
Product Specification	PS-52584-003, RPS-500017-002, RPS-52584-010



Series image - Reference only

EU ELV

Not Relevant

EU RoHS

Compliant

China RoHS

REACH SVHC

Contains SVHC(2014 December 17): No

Halogen-Free

Status

Low-Halogen

Need more information on product environmental compliance?

Email productcompliance@molex.com
Please visit the [Contact Us](#) section for any non-product compliance questions.

China ROHS

Green Image

ELV

Not Relevant

Search Parts in this Series

[53408](#) Series

Mates With

[52584](#) PCB Receptacle

This document was generated on 06/30/2015

PLEASE CHECK WWW.MOLEX.COM FOR LATEST PART INFORMATION